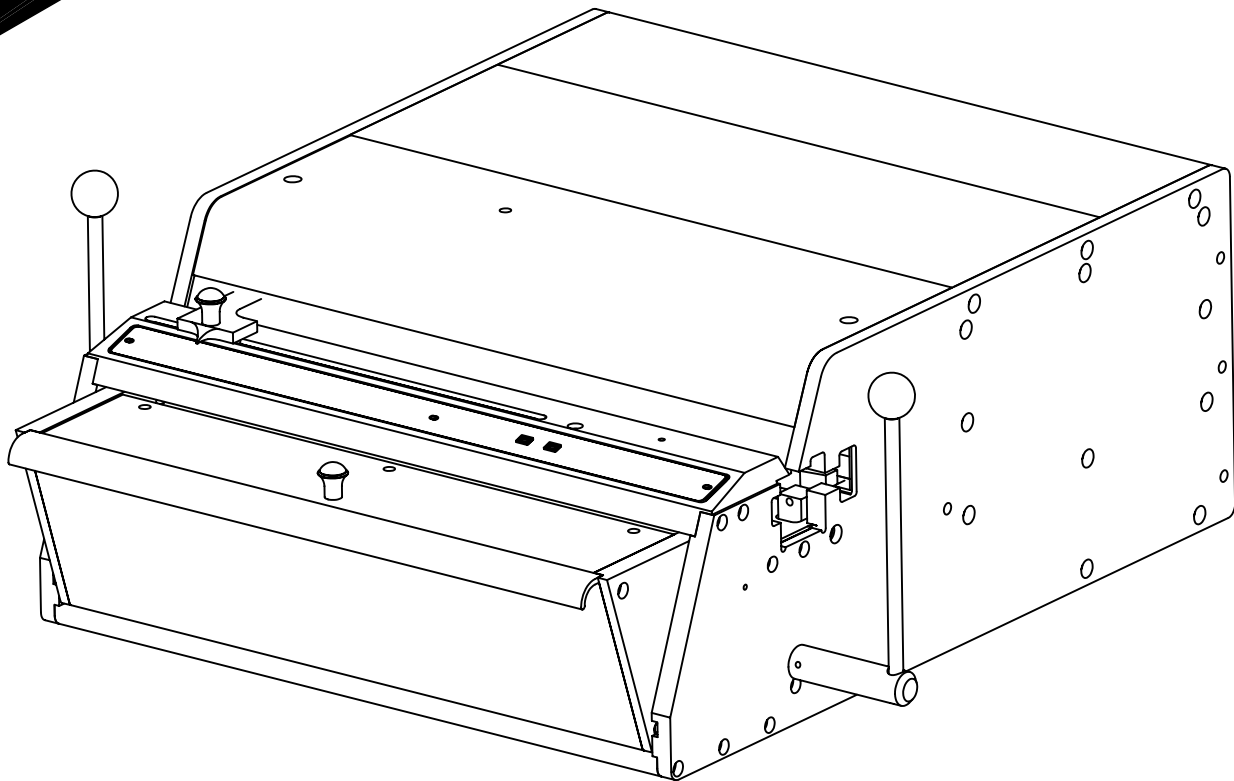


PDI Performance Design Inc.

7700 PARTS BOOK UL BOOK CE

14" Heavy Duty
Open End Electric Punch



Mailing Address: 2350 E. Braniff, Boise, Idaho 83716-9613

Telephone: 800-390-5782

Fax: 800-390-5783

Electronic Mail: PDI@PDIBIND.com

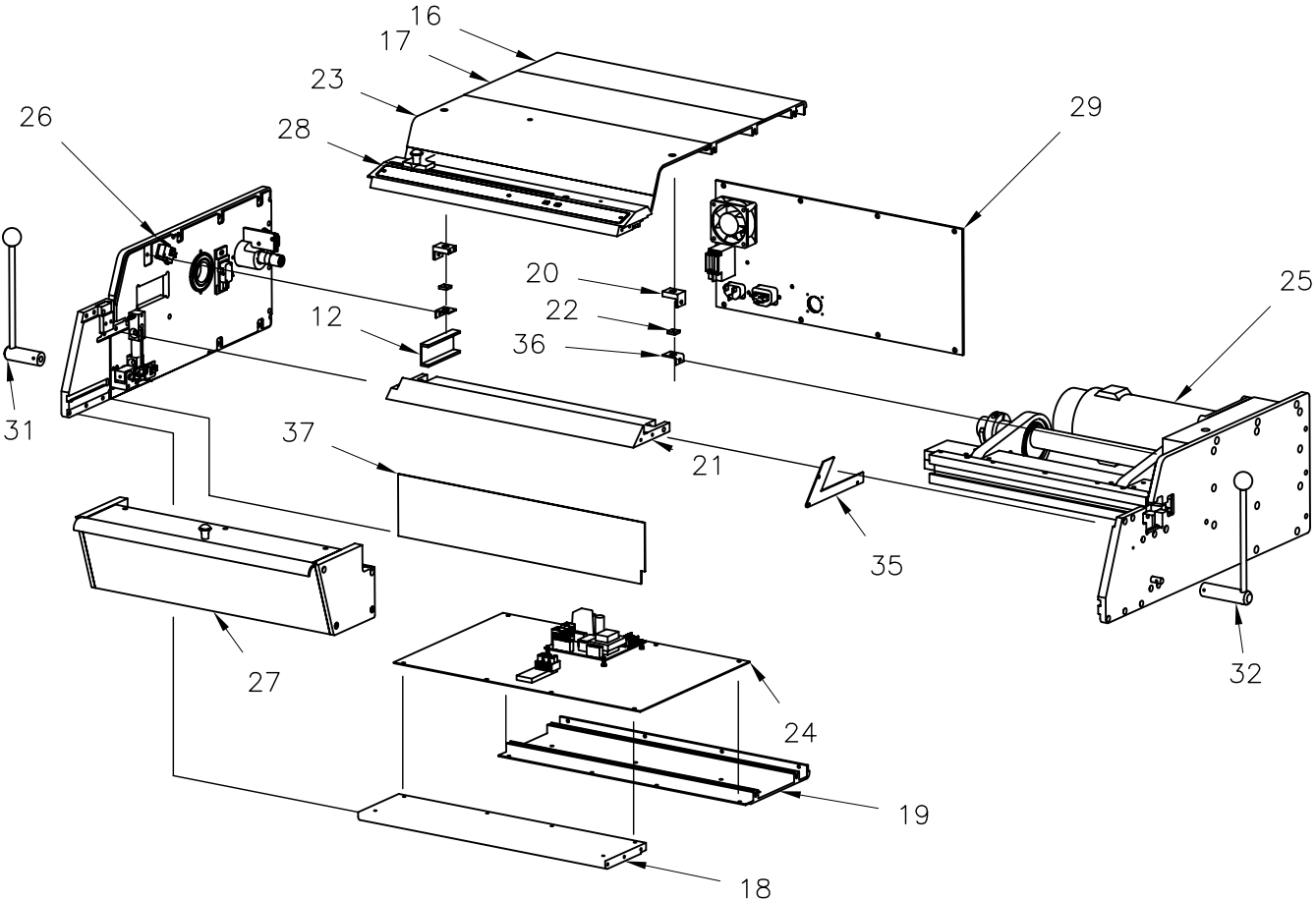
Web Site: www.RHIN-O-TUFF.com

HD-7700 PARTS BOOK

Page 1

PDi P/N 7700 (7700 CE)

- Assembly, Main 7700 -



HD-7700 PARTS BOOK

Page 2

PDi P/N 7700 (7700 CE)

- Assembly, Main 7700 -

Index

Parts List				
ITEM	QTY	PART NUMBER	DESCRIPTION	NOTE
1	1	001105	DECAL,CRUSH HAZARD, RECTANGLE	Not Shown
2	2	001106	DECAL,VOLTAGE HAZARD	Not Shown
3	1	001125	DECAL,RHIN-O-TUFF	Not Shown
4	1	001155	DECAL,RECEPTICLE	Not Shown
5	1	001146	DECAL,CAUTION FUSE	Not Shown
6	1	001318	DECAL,PATENT 3 NUMBER DIE HDL.	Not Shown
7	1	001576	DECAL,VELO IS A REG. TRADEMK	Not Shown
8	1	001583	DECAL,SERIAL LABEL HD 7700	Not Shown
9	1	001750	LABEL,MADE IN THE U.S.A.	Not Shown
10	1	007031	ASSY,FOOT PEDAL CE/UL	Not Shown
11	1	007090	CORD, POWER 18 GA.	Not Shown
12	1	070240	BUSHINGS,SIDEPLATE HD 7000	
13	2	071580	DECAL,LOCK WP 7000	Not Shown
14	2	071590	DECAL,LOCK WP 7000	Not Shown
15	1	077000	BOOK,INSTRUCTION HD-7700	Not Shown
16	1	077010	PLATE,TOP REAR	
17	1	077020	PLATE,MIDDLE TOP PLATE W/O	
18	1	077070	PLATE,BOTTOM FRONT	
19	1	077130	BOTTOM,PLATE	
20	2	077220	BLOCK,SAFETY LATCH	
21	1	077230	PLATE,DIE SUPPORT 7700	
22	2	077240	NUT,8-32 .500 X .500 X .125THK	
23	1	077390	COVER,FRONT	
24	1	077440	ASSY, BOTTOM COVER 7700	See Page 3
25	1	077450	ASSY, GEARBOX HD 7700	See Page 4
26	1	077460	ASSY, LEFT SIDEPLATE	See Page 6
27	1	077470	ASSY, DRAWER 7700	
28	1	077480	ASSY, PAPER STOP ADJ. PLATE	See Page 8
29	1	077490	ASSY, BACK PANEL 7700	See Page 10
30	1	077770	ASSY,PALM SWITCH FOR 7700/7000	Not Shown
31	1	077780	ASSY, HANDLE LEFT 7700	
32	1	077790	ASSY, HANDLE RIGHT 7700	
33	1	977120	LABEL,LIFT & MOVE KNOB MAJOR	Not Shown
34	1	977130	LABEL,TURN KNOB MINOR ADJ.	Not Shown
35	1	977210	PLATE,SIDE WIREWAY	
36	2	977220	RETAINER,SAFETY LATCH NUT	
37	1	977230	PLATE,SAFETY	
38	1	977370	LABEL,PAPER POINT GUIDE	



Performance Design Inc.

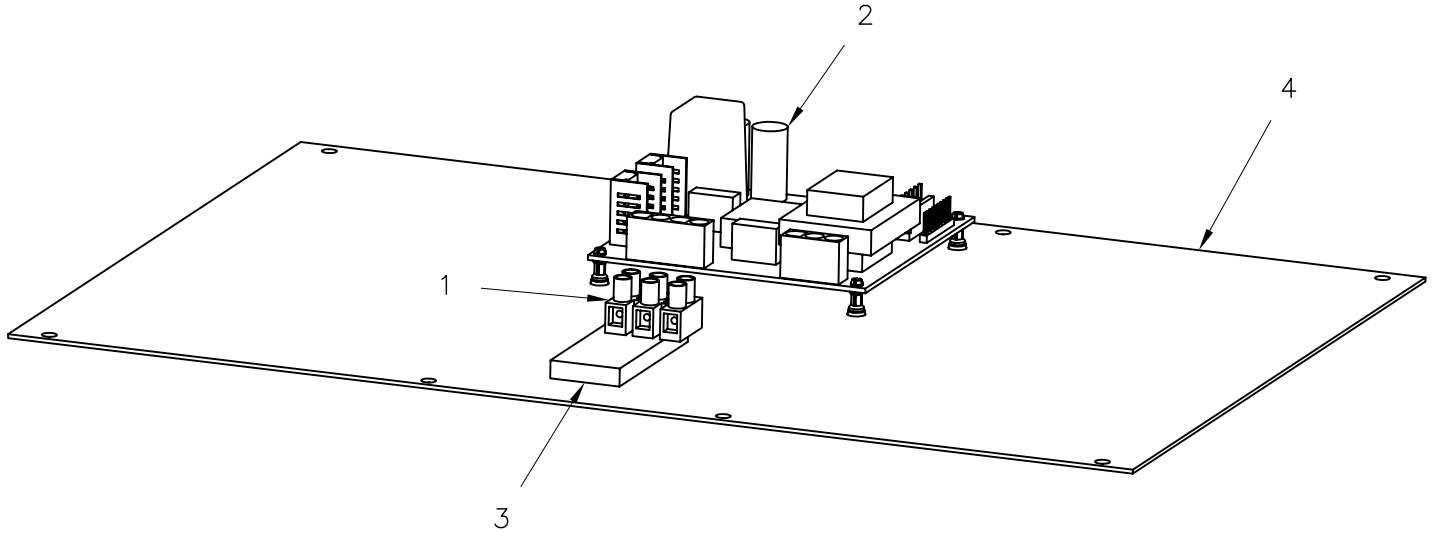
2350 E. Braniff, Boise, Idaho 83716 / 800-390-5782 / PDI@PDIBIND.com / www.RHIN-O-TUFF.com

HD-7700 PARTS BOOK

Page 3

PDi P/N 077440 (077820 CE)

- Assembly, Bottom Cover -



Parts List

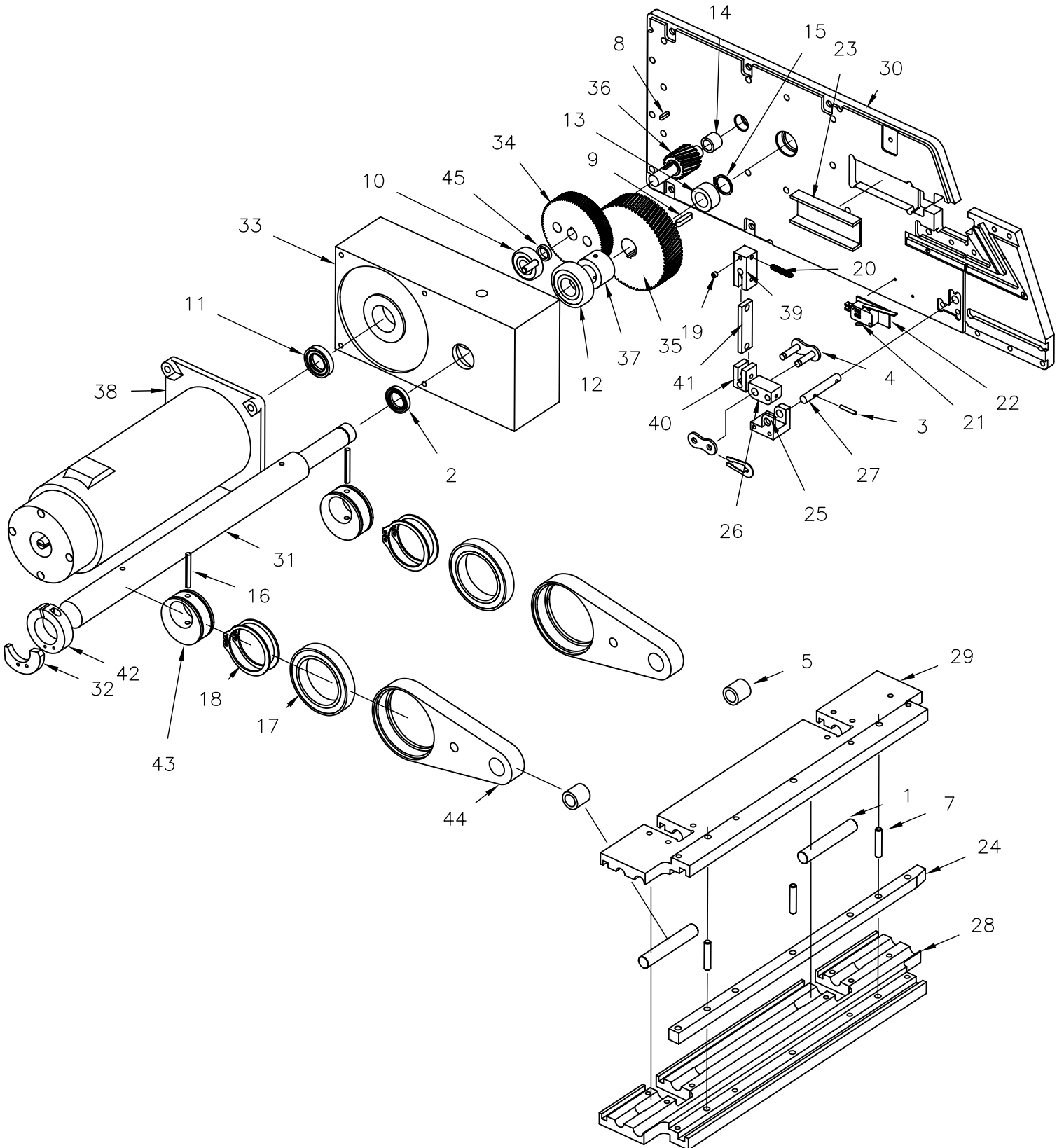
ITEM	QTY	PART NUMBER	DESCRIPTION	NOTE
1	1	007054	STRIP,TERMINAL 3 POLE	
2	1	007986	PCA,CONTROL BOARD 7000 UL2	P/N 007988 CE 230V
3	1	077610	PLATE,RECEPRICAL MOUNT	
4	1	977110	COVER,BOTTOM	

HD-7700 PARTS BOOK

Page 4

PDi P/N 077450 (077090 CE)

- Assembly, Gear Box -



HD-7700 PARTS BOOK

Page 5

PDi P/N 077450 (077980 CE)

- Assembly, Gear Box -

Index

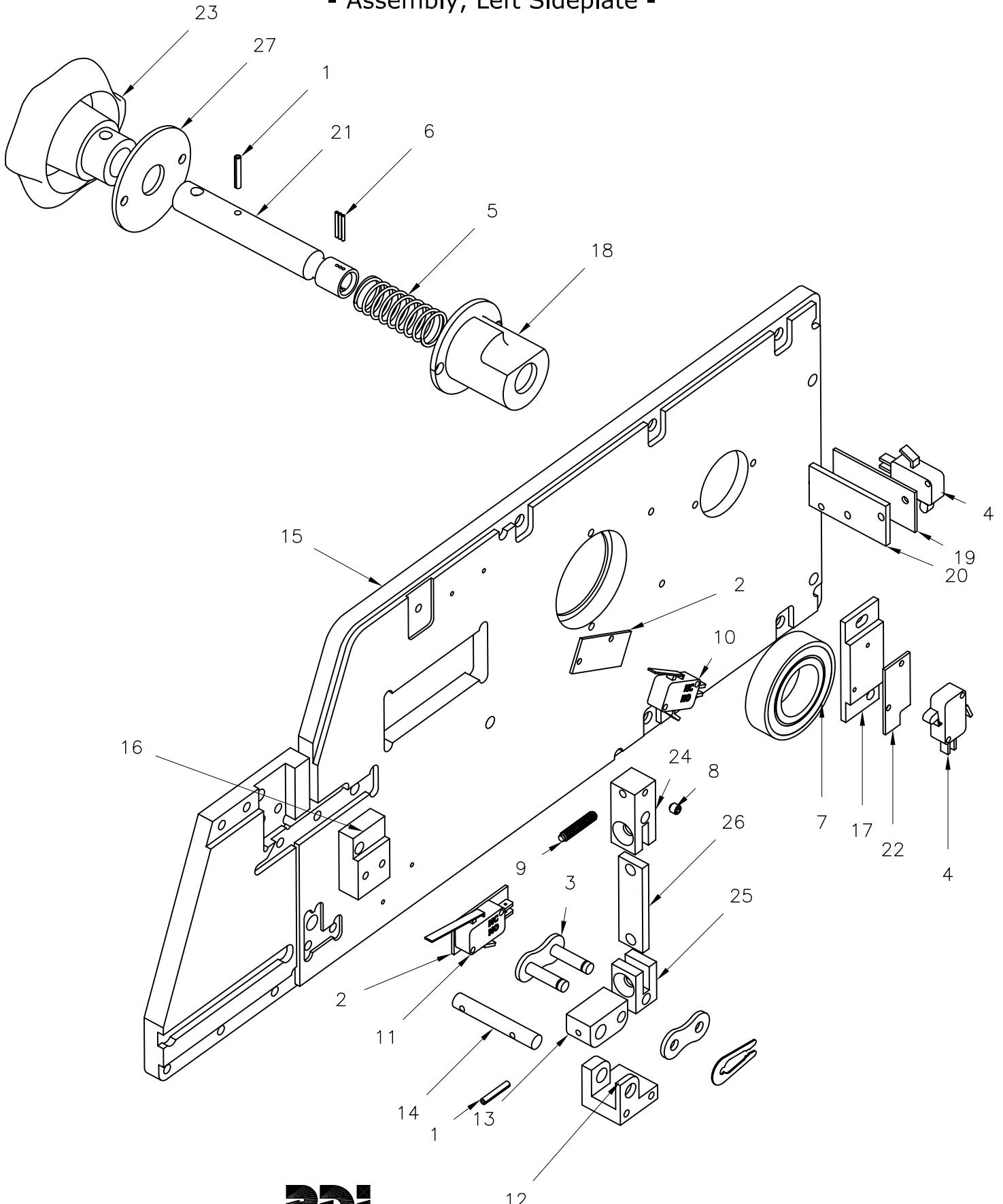
Parts List				
ITEM	QTY	PART NUMBER	DESCRIPTION	NOTE
1	2	001020	PIN,DOWEL 1/2 X 3"	
2	1	001049	SEAL, GEARBOX SHAFT 7000	
3	1	001062	PIN,ROLL 1/8 X 3/4"	
4	1	001330	#60 MASTERLINK, SPRING CLIP	
5	2	001390	BUSHING,OILITE	
7	3	001400	PIN,DOWEL 1/4 X 1.1/4"	
8	1	001413	KEY, PINION 7700 GEARBOX	
9	1	001414	KEY, CRANKSHAFT 7700 GEARBOX	
10	1	001415	BEARING,PINION 7700 GEARBOX	
11	1	001416	SEAL, MOTOR 7700 GEARBOX	
12	1	001417	BEARING, CRANKSHAFT 7700	
13	1	001418	BUSHING,5/8 X 1 X 1/2 LONG	
14	1	001419	BUSHING,7/16 X 5/8 X 1/2 LONG	
15	1	001421	RING, EXTERNAL RETAINING 3/4"	
16	2	001422	PIN,GROOVE 3/16 X 1 1/2"	
17	2	001458	BEARING,BALL CONNECT ROD 7700	
18	4	001465	RING,RETAINING EXTERNAL 50 MM	
19	1	005311	SC,SHSS 10-32 X 3/16	
20	1	002320	SC,SHSS 10-32 X 1 1/4 HALF DOG	
21	1	007960	SWITCH, VERSASWITCH II	
22	1	001151	INSULATOR,SWITCH	
23	1	070240	BUSHINGS,SIDEPLATE HD 7000	
24	1	070260	BAR, PIN BACKUP HD 7000	
25	1	070280	BASE, CLAMP RIGHT 7000/7700	
26	1	070290	PIVOT, CLAMP 7000/7700	
27	1	070300	SHAFT, CLAMP HD 7000	
28	1	077030	PUSHERBAR,BOTTOM HD7700	
29	1	077040	PUSHERBAR,TOP 7700	
30	1	077050	PLATE,SIDE RIGHT	
31	1	077140	CRANKSHAFT,7700	
32	1	077360	CAM,SWITCH	
33	1	077500	GEARBOX,7700	
34	1	077510	GEAR, 90T. 32 D.P. HIGH SPEED	
35	1	077520	GEAR, 69T. 20D.P.	
36	1	077530	GEAR, 18T. 20D.P.	
37	1	077540	SPACER,LOW SPEED GEAR	
38	1	077550	MOTOR,BALDOR 1/2 HP W/BRAKE	P/N 077555 CE 230V
39	1	077570	BLOCK,CLAMP LEVER TOP SPRING	
40	1	077580	BLOCK,CLAMP LEVER BOTTOMSPRING	
41	1	077590	SPRING,LEVER CLAMP	
42	1	077620	COLLAR,CAM SWITCH 7700	
43	2	077630	CAM,CONNECTING ROD 7700	
44	2	077640	ROD,CONNECTING 7700	
45	1	077660	SPACER,HIGH SPEED GEAR BEARING	

HD-7700 PARTS BOOK

Page 6

PDi P/N 077460 (077650 CE)

- Assembly, Left Sideplate -



PDi Performance Design Inc.

2350 E. Braniff, Boise, Idaho 83716 / 800-390-5782 / PDI@PDIBIND.com / www.RHIN-O-TUFF.com

HD-7700 PARTS BOOK

Page 7

PDi P/N 077460 (077650 CE)

- Assembly, Left Sideplate -
Index

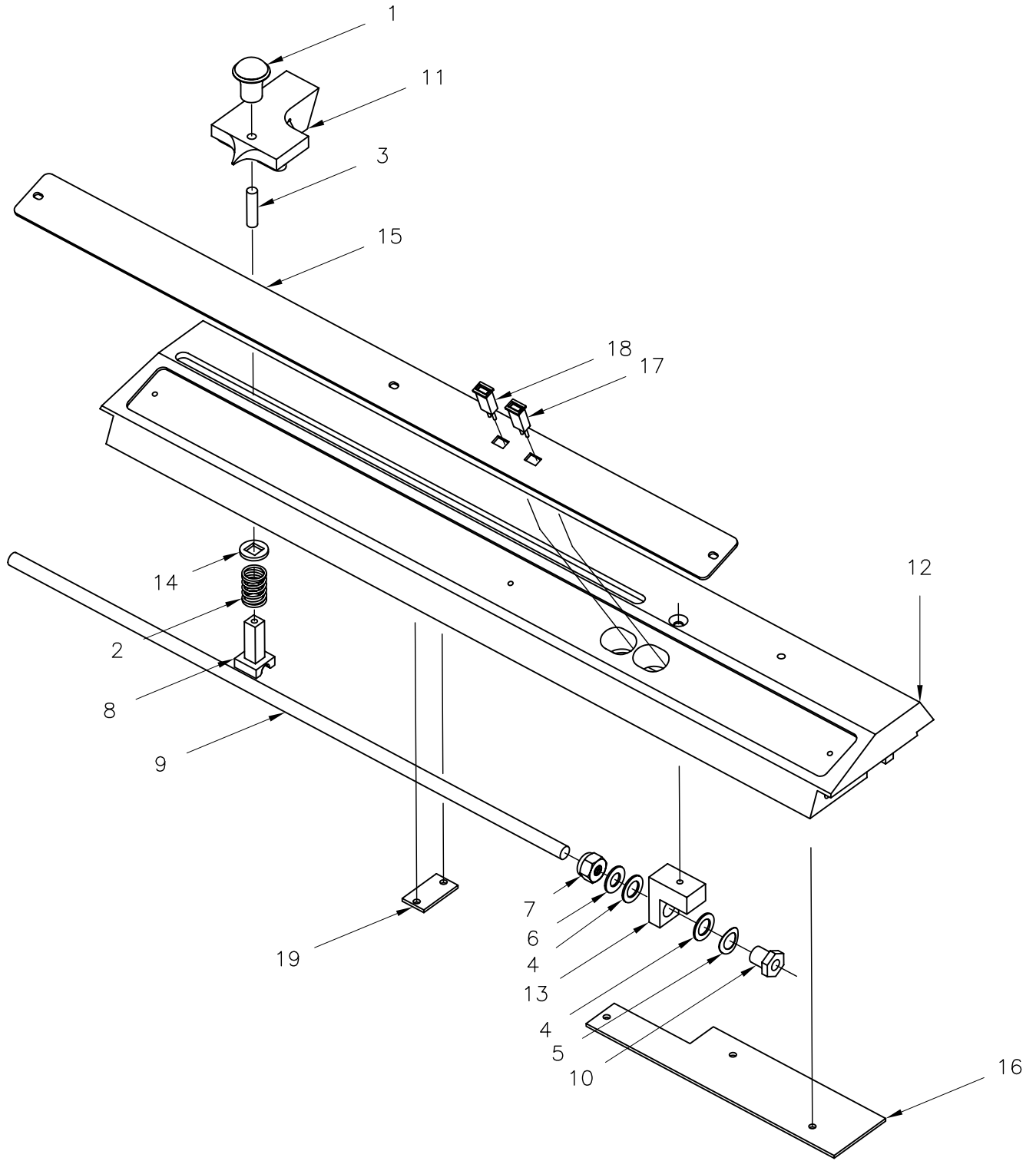
Parts List				
ITEM	QTY	PART NUMBER	DESCRIPTION	NOTE
1	2	001062	PIN,ROLL 1/8 X 3/4"	
2	2	001151	INSULATOR,SWITCH	
3	1	001330	#60 MASTERLINK, SPRING CLIP	
4	2	001406	SWITCH,MINIATURE ROLLER LEVER	
5	1	001424	SPRING, REVERSE 7700	
6	3	001435	PIN,DOWEL 1/16 X 5/8	
7	1	001457	BEARING,7700 LEFT SIDEPLATE	
8	1	005311	SC,BRASS PSS 8-32 X 3/16L	
9	1	002320	SC,SHSS 10-32 X 1 1/4 HALF DOG	
10	1	007240	SWITCH, SAFETY	
11	1	007960	SWITCH, VERSASWITCH II	
12	1	070210	BASE, CLAMP LEFT 7000/7700	
13	1	070290	PIVOT, CLAMP 7000/7700	
14	1	070300	SHAFT, CLAMP HD 7000	
15	1	077060	PLATE,SIDE LEFT	
16	1	077260	BLOCK,DIE STOP	
17	1	077300	BLOCK,STOP SWITCH MOUNT	
18	1	077320	BODY,REVERSING TOOL	
19	1	077330	PLATE,REVERSING TOOL SW INSUL	
20	1	077340	PLATE,REVERSING TOOL SWITCH	
21	1	077350	SHAFT,REVERSING TOOL	
22	1	077430	INSULATOR,SWITCH 7700	
23	1	077560	KNOB, REVERSING 7700 MACHINED	
24	1	077570	BLOCK,CLAMP LEVER TOP SPRING	
25	1	077580	BLOCK,CLAMP LEVER BOTTOMSPRING	
26	1	077590	SPRING,LEVER CLAMP	
27	1	977320	PLATE,REVERSING TOOL FACE	

HD-7700 PARTS BOOK

Page 8

PDi P/N 077480 (077810 CE)

- Assembly, Paper Stop Adj. PLate -



HD-7700 PARTS BOOK

Page 9

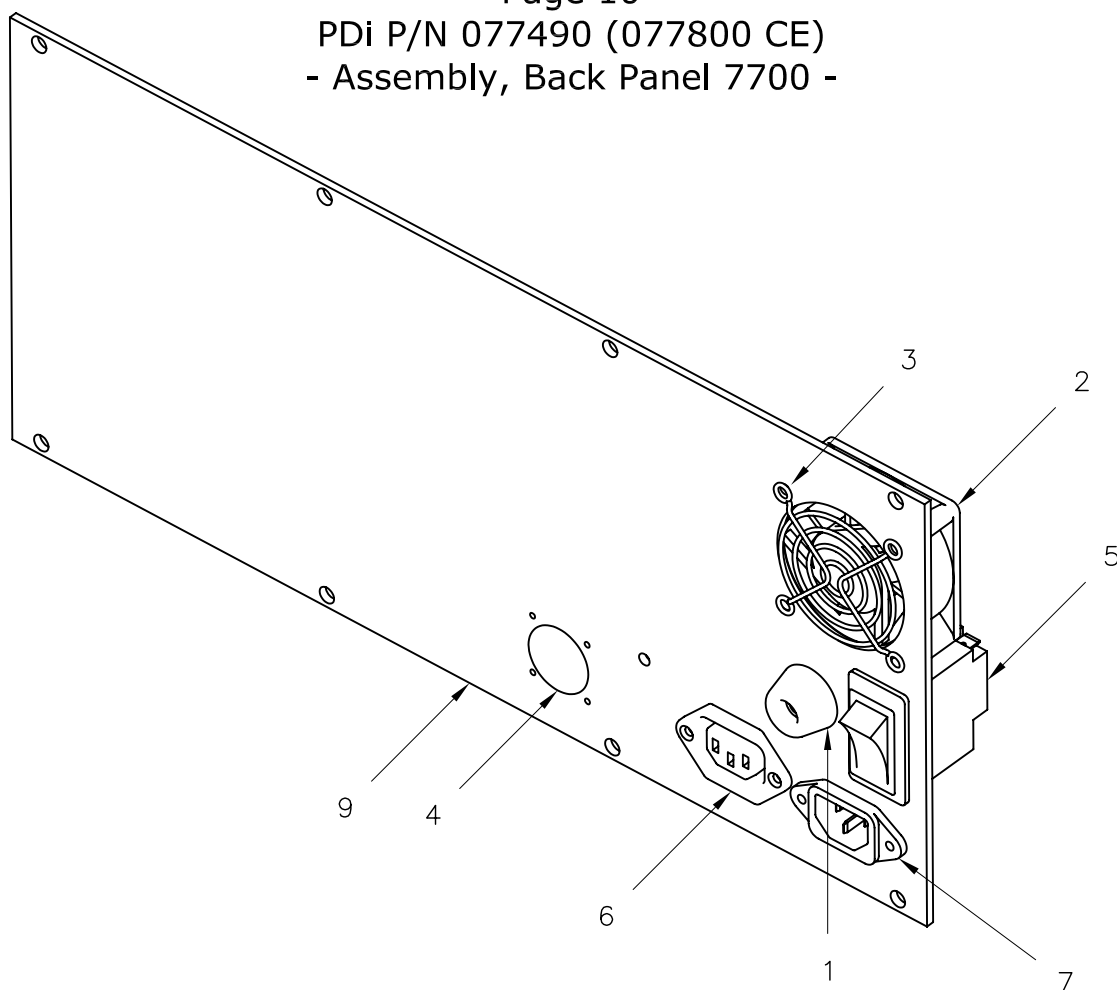
PDi P/N 077480 (077810 CE)
- Assembly, Paper Stop Adj. Plate -
Index

Parts List				
ITEM	QTY	PART NUMBER	DESCRIPTION	NOTE
1	1	001261	KNOB,PLASTIC PUSH-PULL 6-32	
2	1	001423	SPRING, PAPER STOP 7700	
3	1	001443	SC,SHSS 6-32 X 3/4"	
4	2	001451	WASHER,TEFLON .312 X .515 .031	
5	1	001452	WASHER,SPRING .315 X .500	
6	1	001453	WASHER,AN .260 X .500 .032T	
7	1	004000	NUT,NYLOCK 1/4-20	
8	1	077100	BOLT,PAPER STOP	
9	1	077110	SHAFT,PAPER STOP ADJUSTMENT	
10	1	077120	NUT,PAPER STOP ADJUSTMENT	
11	1	077190	BLOCK,PAPER POINTER GUIDE	
12	1	077200	BAR,BACKUP & PAPER INDEX GUIDE	
13	1	077250	BLOCK,ADJUSTMENT KNOB	
14	1	077420	WASHER,7700 PAPER STOP ASSY	
15	1	977180	PLATE,INDEX SILK SCREENED	P/N 978180 CE
16	1	977240	PLATE,TOP WIREWAY	
17	1	977330	LED, GREEN 7700 LUMEX 5 VOLT	
18	1	977340	LED, RED 7700 LUMEX 5 VOLT	
19	1	977380	SUPPORT,BACKUP BAR ALLTHREAD	

HD-7700 PARTS BOOK

Page 10

PDi P/N 077490 (077800 CE)
 - Assembly, Back Panel 7700 -



Parts List				
ITEM	QTY	PART NUMBER	DESCRIPTION	NOTE
1	1	001050	FEET,RUBBER SCREW MOUNT	
2	1	001426	FAN, COOLING 7700	P/N 001455 CE 230V
3	1	001427	GUARD, FAN 7700	P/N 001456 CE
4	1	001445	PLUG,HOLE STEEL 7/8" NICKEL	
5	1	007013	BREAKER,CIRCUIT 10 AMP	P/N 008160 CE 230V
6	1	007040	RECEPTICLE, CORD FOOT PEDAL	
7	1	007050	RECEPTICLE, CORD POWER	
9	1	977350	PANEL,BACK UL 7700	P/N 977140 CE