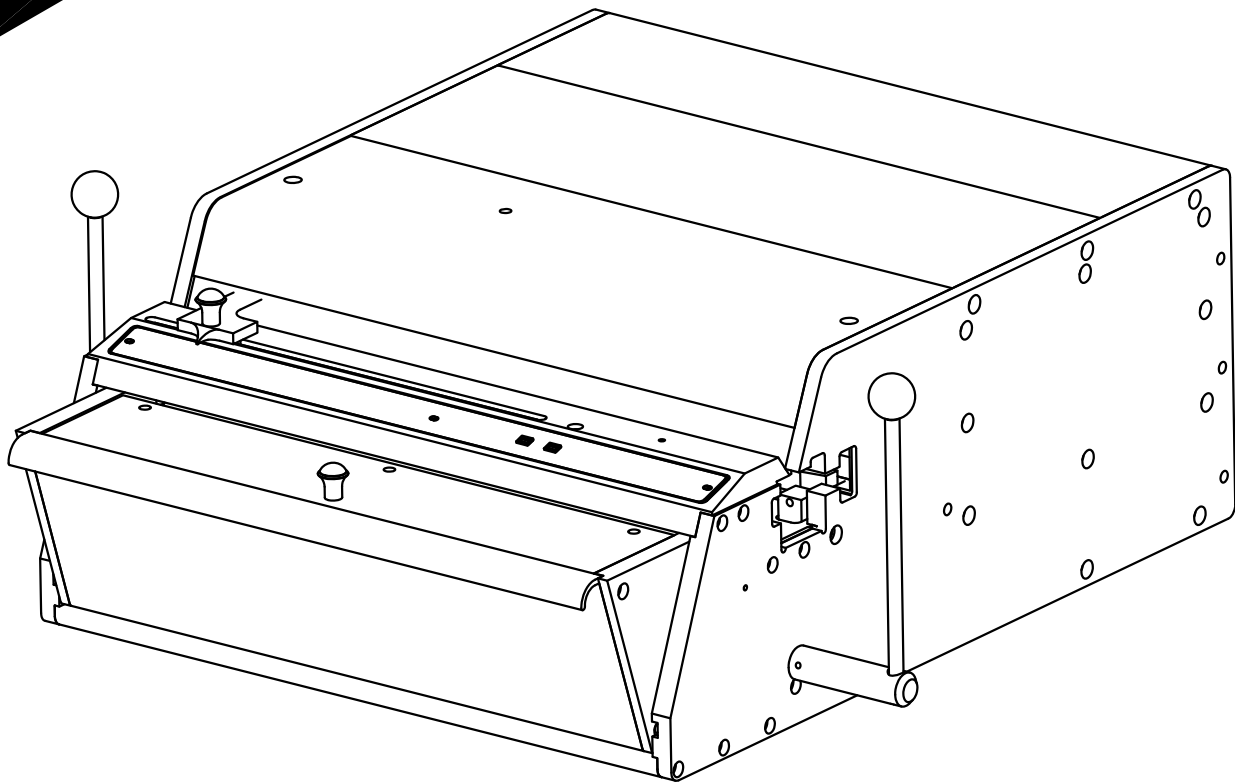


**PDI** Performance Design LLC.

# 7700 PARTS BOOK UL CE

14" Heavy Duty  
Open End Electric Punch



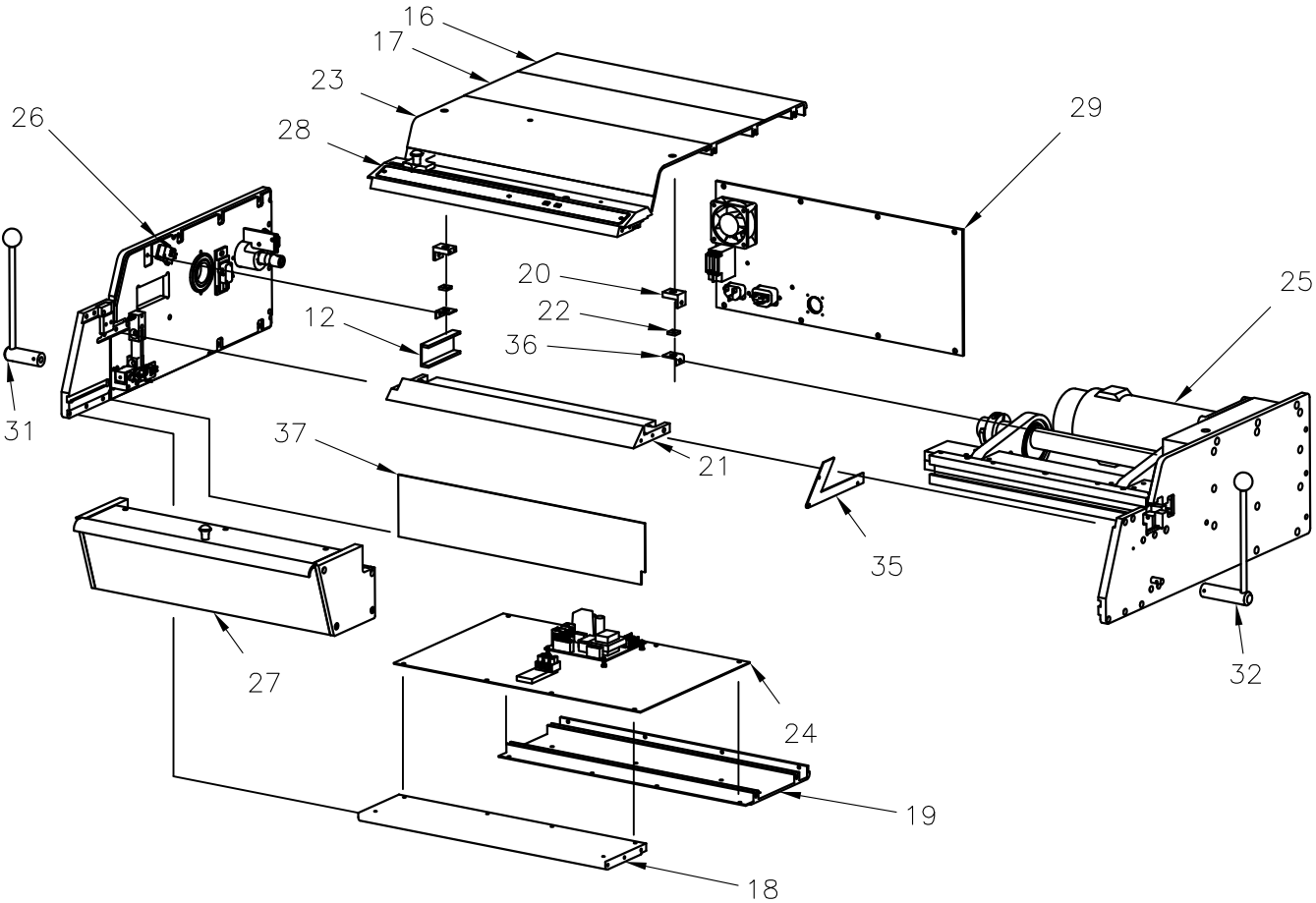
2350 E. Braniff, Boise, Idaho 83716-9613  
Electronic Mail: PDIBIND@PDIBIND.com  
Web Site: [www.RHIN-O-TUFF.com](http://www.RHIN-O-TUFF.com)

# HD-7700 PARTS BOOK

Page 1

PDi P/N 7700 (7700 CE)

- Assembly, Main 7700 -



# HD-7700 PARTS BOOK

Page 2

PDi P/N 7700 (7700 CE)

- Assembly, Main 7700 -

## Index

### Parts List

| ITEM | QTY | PART NUMBER | DESCRIPTION                    | NOTE        |
|------|-----|-------------|--------------------------------|-------------|
| 1    | 1   | 001105      | DECAL,CRUSH HAZARD, RECTANGLE  | Not Shown   |
| 2    | 1   | 001106      | DECAL,VOLTAGE HAZARD           | Not Shown   |
| 3    | 1   | 001125      | DECAL,VOLTAGE HAZARD           | Not Shown   |
| 4    | 1   | 001155      | DECAL,RECEPTICLE               | Not Shown   |
| 5    | 1   | 001146      | DECAL,CAUTION FUSE             | Not Shown   |
| 6    | 1   | 001318      | DECAL,PATENT 3 NUMBER DIE HDL. | Not Shown   |
| 7    | 1   | 001576      | DECAL,VELO IS A REG. TRADEMK   | Not Shown   |
| 8    | 1   | 001583      | DECAL,SERIAL LABEL HD 7700     | Not Shown   |
| 9    | 1   | 001750      | LABEL,MADE IN THE U.S.A.       | Not Shown   |
| 10   | 1   | 007031      | ASSY,FOOT PEDAL CE/UL          | Not Shown   |
| 11   | 1   | 007090      | CORD, POWER 18 GA.             | Not Shown   |
| 12   | 1   | 070240      | BUSHINGS,SIDEPLATE HD 7000     |             |
| 13   | 1   | 071580      | DECAL,LOCK WP 7000             | Not Shown   |
| 14   | 1   | 071590      | DECAL,LOCK WP 7000             | Not Shown   |
| 15   | 1   | 077000      | BOOK,INSTRUCTION HD-7700       | Not Shown   |
| 16   | 1   | 077010      | PLATE,TOP REAR                 |             |
| 17   | 1   | 077020      | PLATE,MIDDLE TOP PLATE W/O     |             |
| 18   | 1   | 077070      | PLATE,BOTTOM FRONT             |             |
| 19   | 1   | 077130      | BOTTOM,PLATE                   |             |
| 20   | 2   | 077220      | BLOCK,SAFETY LATCH             |             |
| 21   | 1   | 077230      | PLATE,DIE SUPPORT 7700         |             |
| 22   | 2   | 077240      | NUT,8-32 .500 X .500 X .125THK |             |
| 23   | 1   | 077390      | COVER,FRONT                    |             |
| 24   | 1   | 077440      | ASSY, BOTTOM COVER 7700        | See Page 3  |
| 25   | 1   | 077450      | ASSY, GEARBOX HD 7700          | See Page 4  |
| 26   | 1   | 077460      | ASSY, LEFT SIDEPLATE           | See Page 6  |
| 27   | 1   | 077470      | ASSY, DRAWER 7700              |             |
| 28   | 1   | 077480      | ASSY, PAPER STOP ADJ. PLATE    | See Page 8  |
| 29   | 1   | 077490      | ASSY, BACK PANEL 7700          | See Page 10 |
| 30   | 1   | 077770      | ASSY,PALM SWITCH FOR 7700/7000 | Not Shown   |
| 31   | 1   | 077780      | ASSY, HANDLE LEFT 7700         |             |
| 32   | 1   | 077790      | ASSY, HANDLE RIGHT 7700        |             |
| 33   | 1   | 977120      | LABEL,LIFT & MOVE KNOB MAJOR   | Not Shown   |
| 34   | 1   | 977130      | LABEL,TURN KNOB MINOR ADJ.     | Not Shown   |
| 35   | 1   | 977210      | PLATE,SIDE WIREWAY             |             |
| 36   | 2   | 977220      | RETAINER,SAFETY LATCH NUT      |             |
| 37   | 1   | 977230      | PLATE,SAFETY                   |             |
| 38   | 1   | 977370      | LABEL,PAPER POINT GUIDE        |             |



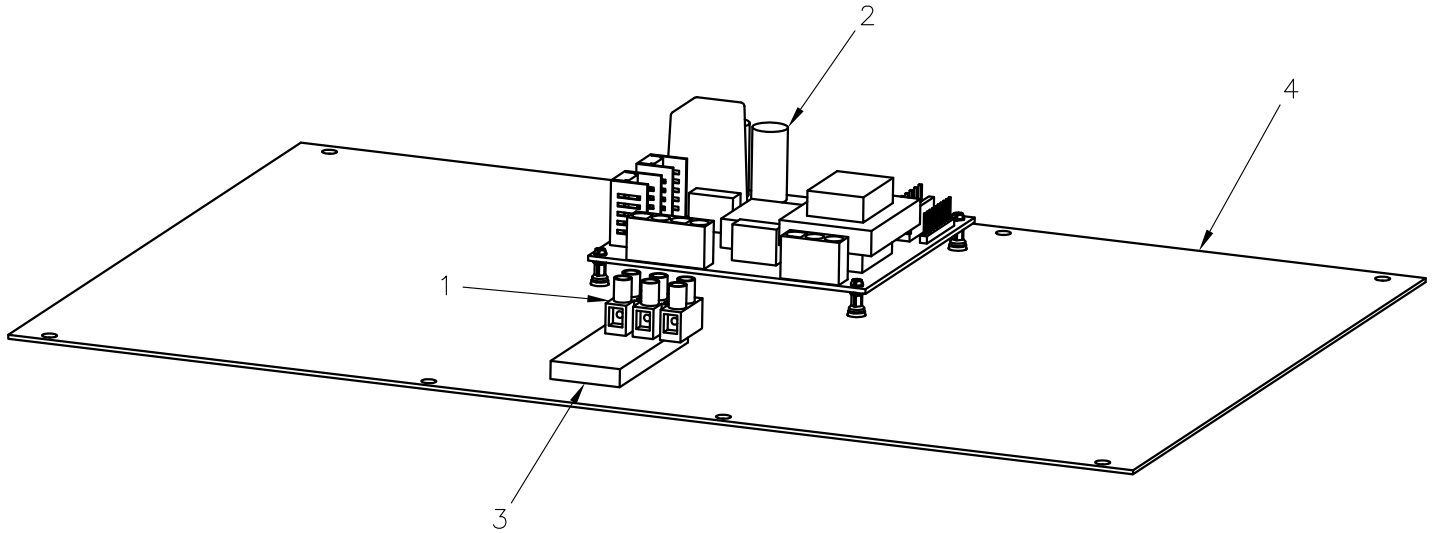
Performance Design LLC.

# HD-7700 PARTS BOOK

Page 3

PDi P/N 077440 (077820 CE)

- Assembly, Bottom Cover -



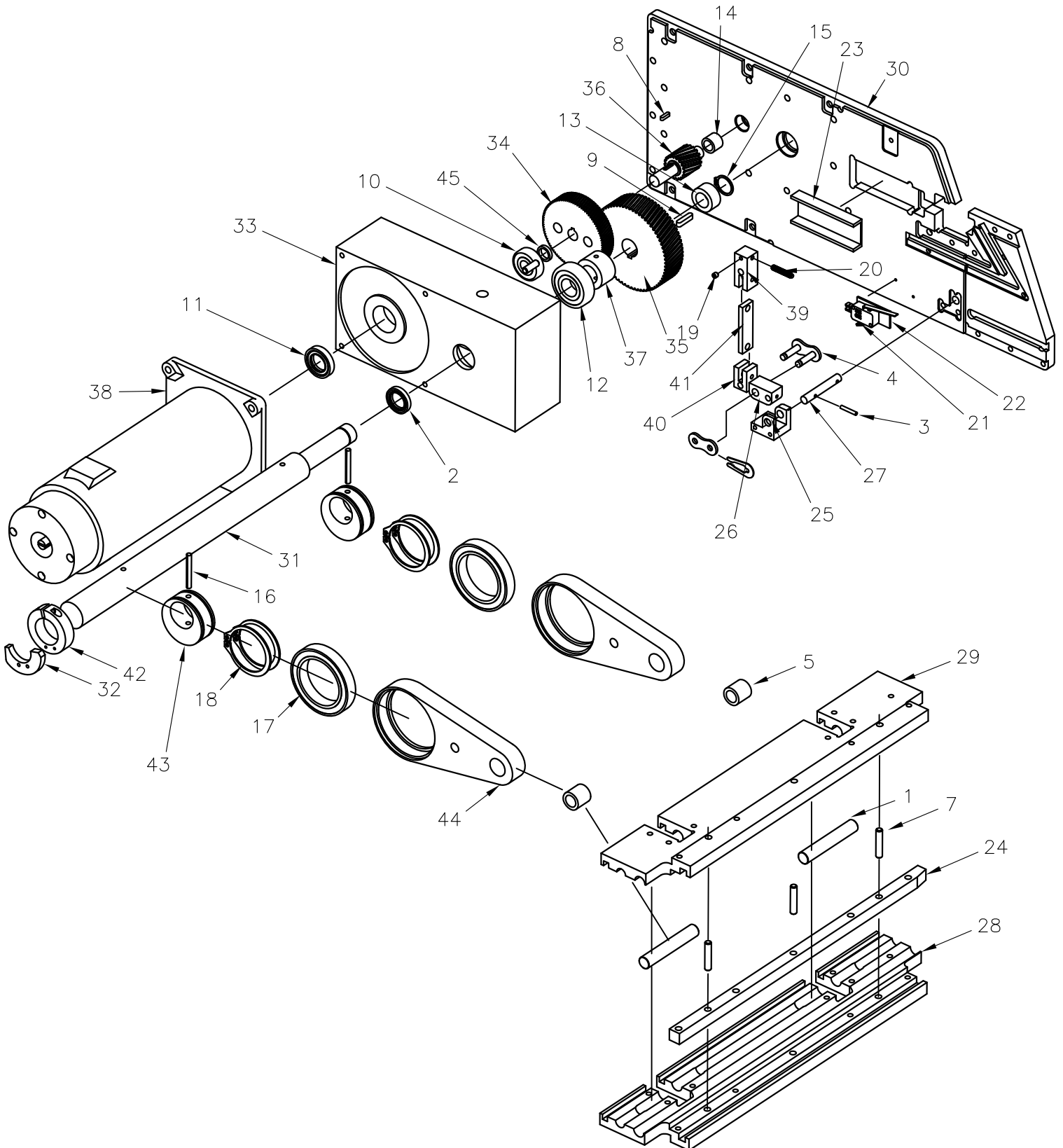
| Parts List |     |             |                            |                    |
|------------|-----|-------------|----------------------------|--------------------|
| ITEM       | QTY | PART NUMBER | DESCRIPTION                | NOTE               |
| 1          | 1   | 007054      | STRIP,TERMINAL 3 POLE      |                    |
| 2          | 1   | 007990      | PCA,CONTROL BOARD 7700 UL3 | P/N 007988 CE 230V |
| 3          | 1   | 077610      | PLATE,RECEPRICAL MOUNT     |                    |
| 4          | 1   | 977110      | COVER,BOTTOM               |                    |

# HD-7700 PARTS BOOK

Page 4

PDi P/N 077450 (077090 CE)

- Assembly, Gear Box -



# HD-7700 PARTS BOOK

Page 5

PDi P/N 077450 (077980 CE)

- Assembly, Gear Box -

## Index

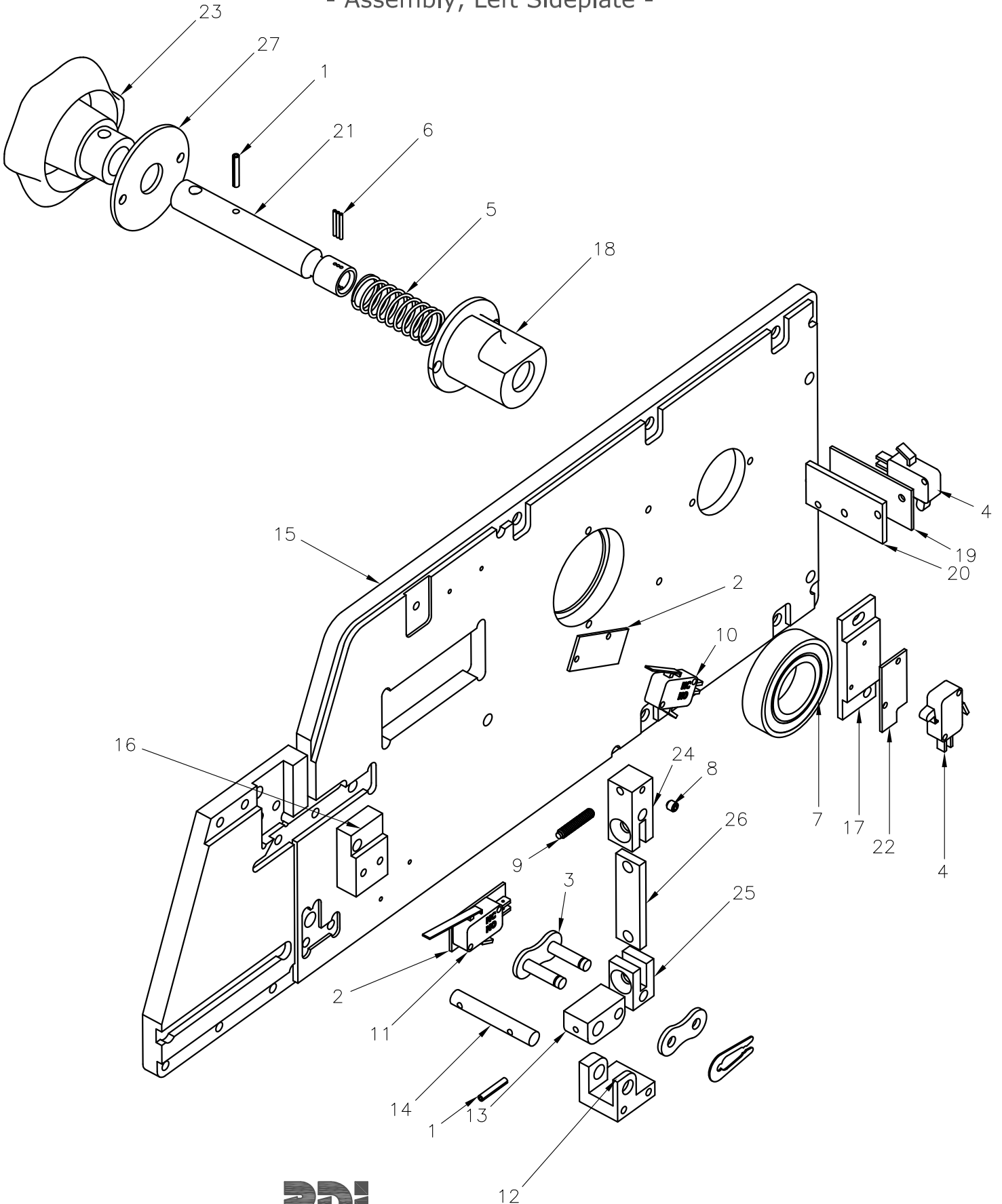
|      |     | Parts List  |                                |                    |
|------|-----|-------------|--------------------------------|--------------------|
| ITEM | QTY | PART NUMBER | DESCRIPTION                    | NOTE               |
| 1    | 2   | 001020      | PIN,DOWEL 1/2 X 3"             |                    |
| 2    | 1   | 001049      | SEAL, GEARBOX SHAFT 7000       |                    |
| 3    | 1   | 001062      | PIN,ROLL 1/8 X 3/4"            |                    |
| 4    | 1   | 001330      | #60 MASTERLINK, SPRING CLIP    |                    |
| 5    | 2   | 001390      | BUSHING,OILITE                 |                    |
| 7    | 3   | 001400      | PIN,DOWEL 1/4 X 1.1/4"         |                    |
| 8    | 1   | 001413      | KEY, PINION 7700 GEARBOX       |                    |
| 9    | 1   | 001414      | KEY, CRANKSHAFT 7700 GEARBOX   |                    |
| 10   | 1   | 001415      | BEARING,PINION 7700 GEARBOX    |                    |
| 11   | 1   | 001416      | SEAL, MOTOR 7700 GEARBOX       |                    |
| 12   | 1   | 001417      | BEARING, CRANKSHAFT 7700       |                    |
| 13   | 1   | 001418      | BUSHING,5/8 X 1 X 1/2 LONG     |                    |
| 14   | 1   | 001419      | BUSHING,7/16 X 5/8 X 1/2 LONG  |                    |
| 15   | 1   | 001421      | RING, EXTERNAL RETAINING 3/4"  |                    |
| 16   | 2   | 001422      | PIN,GROOVE 3/16 X 1 1/2"       |                    |
| 17   | 2   | 001458      | BEARING,BALL CONNECT ROD 7700  |                    |
| 18   | 4   | 001465      | RING,RETAINING EXTERNAL 50 MM  |                    |
| 19   | 1   | 005311      | SC,SHSS 10-32 X 3/16           |                    |
| 20   | 1   | 002320      | SC,SHSS 10-32 X 1 1/4 HALF DOG |                    |
| 21   | 1   | 007960      | SWITCH, VERSASWITCH II         |                    |
| 22   | 1   | 001151      | INSULATOR,SWITCH               |                    |
| 23   | 1   | 070240      | BUSHINGS,SIDEPLATE HD 7000     |                    |
| 24   | 1   | 070260      | BAR, PIN BACKUP HD 7000        |                    |
| 25   | 1   | 070280      | BASE, CLAMP RIGHT 7000/7700    |                    |
| 26   | 1   | 070290      | PIVOT, CLAMP 7000/7700         |                    |
| 27   | 1   | 070300      | SHAFT, CLAMP HD 7000           |                    |
| 28   | 1   | 077030      | PUSHERBAR,BOTTOM HD7700        |                    |
| 29   | 1   | 077040      | PUSHERBAR,TOP 7700             |                    |
| 30   | 1   | 077050      | PLATE,SIDE RIGHT               |                    |
| 31   | 1   | 077140      | CRANKSHAFT,7700                |                    |
| 32   | 1   | 077360      | CAM,SWITCH                     |                    |
| 33   | 1   | 077500      | GEARBOX,7700                   |                    |
| 34   | 1   | 077510      | GEAR, 90T. 32 D.P. HIGH SPEED  |                    |
| 35   | 1   | 077520      | GEAR, 69T. 20D.P.              |                    |
| 36   | 1   | 077530      | GEAR, 18T. 20D.P.              |                    |
| 37   | 1   | 077540      | SPACER,LOW SPEED GEAR          |                    |
| 38   | 1   | 077550      | MOTOR,BALDOR 1/2 HP W/BRAKE    | P/N 077555 CE 230V |
| 39   | 1   | 077570      | BLOCK,CLAMP LEVER TOP SPRING   |                    |
| 40   | 1   | 077580      | BLOCK,CLAMP LEVER BOTTOMSPRING |                    |
| 41   | 1   | 077590      | SPRING,LEVER CLAMP             |                    |
| 42   | 1   | 077620      | COLLAR,CAM SWITCH 7700         |                    |
| 43   | 2   | 077630      | CAM,CONNECTING ROD 7700        |                    |
| 44   | 2   | 077640      | ROD,CONNECTING 7700            |                    |
| 45   | 1   | 077660      | SPACER,HIGH SPEED GEAR BEARING |                    |

# HD-7700 PARTS BOOK

Page 6

PDi P/N 077460 (077650 CE)

- Assembly, Left Sideplate -



**PDi** Performance Design LLC.

2350 E. Braniff, Boise, Idaho 83716 / 800-390-5782 / PDIBIND@PDIBIND.com / www.RHIN-O-TUFF.com

# HD-7700 PARTS BOOK

Page 7

PDi P/N 077460 (077650 CE)

- Assembly, Left Sideplate -  
Index

| Parts List |     |             |                                |      |
|------------|-----|-------------|--------------------------------|------|
| ITEM       | QTY | PART NUMBER | DESCRIPTION                    | NOTE |
| 1          | 2   | 001062      | PIN,ROLL 1/8 X 3/4"            |      |
| 2          | 2   | 001151      | INSULATOR,SWITCH               |      |
| 3          | 1   | 001330      | #60 MASTERLINK, SPRING CLIP    |      |
| 4          | 2   | 001406      | SWITCH,MINIATURE ROLLER LEVER  |      |
| 5          | 1   | 001424      | SPRING, REVERSE 7700           |      |
| 6          | 3   | 001435      | PIN,DOWEL 1/16 X 5/8           |      |
| 7          | 1   | 001457      | BEARING,7700 LEFT SIDEPLATE    |      |
| 8          | 1   | 005311      | SC,BRASS PSS 8-32 X 3/16L      |      |
| 9          | 1   | 002320      | SC,SHSS 10-32 X 1 1/4 HALF DOG |      |
| 10         | 1   | 007240      | SWITCH, SAFETY                 |      |
| 11         | 1   | 007960      | SWITCH, VERSASWITCH II         |      |
| 12         | 1   | 070210      | BASE, CLAMP LEFT 7000/7700     |      |
| 13         | 1   | 070290      | PIVOT, CLAMP 7000/7700         |      |
| 14         | 1   | 070300      | SHAFT, CLAMP HD 7000           |      |
| 15         | 1   | 077060      | PLATE,SIDE LEFT                |      |
| 16         | 1   | 077260      | BLOCK,DIE STOP                 |      |
| 17         | 1   | 077300      | BLOCK,STOP SWITCH MOUNT        |      |
| 18         | 1   | 077320      | BODY,REVERSING TOOL            |      |
| 19         | 1   | 077330      | PLATE,REVERSING TOOL SW INSUL  |      |
| 20         | 1   | 077340      | PLATE,REVERSING TOOL SWITCH    |      |
| 21         | 1   | 977390      | SHAFT,REVERSING TOOL           |      |
| 22         | 1   | 077430      | INSULATOR,SWITCH 7700          |      |
| 23         | 1   | 077560      | KNOB, REVERSING 7700 MACHINED  |      |
| 24         | 1   | 077570      | BLOCK,CLAMP LEVER TOP SPRING   |      |
| 25         | 1   | 077580      | BLOCK,CLAMP LEVER BOTTOMSPRING |      |
| 26         | 1   | 077590      | SPRING,LEVER CLAMP             |      |
| 27         | 1   | 977320      | PLATE,REVERSING TOOL FACE      |      |

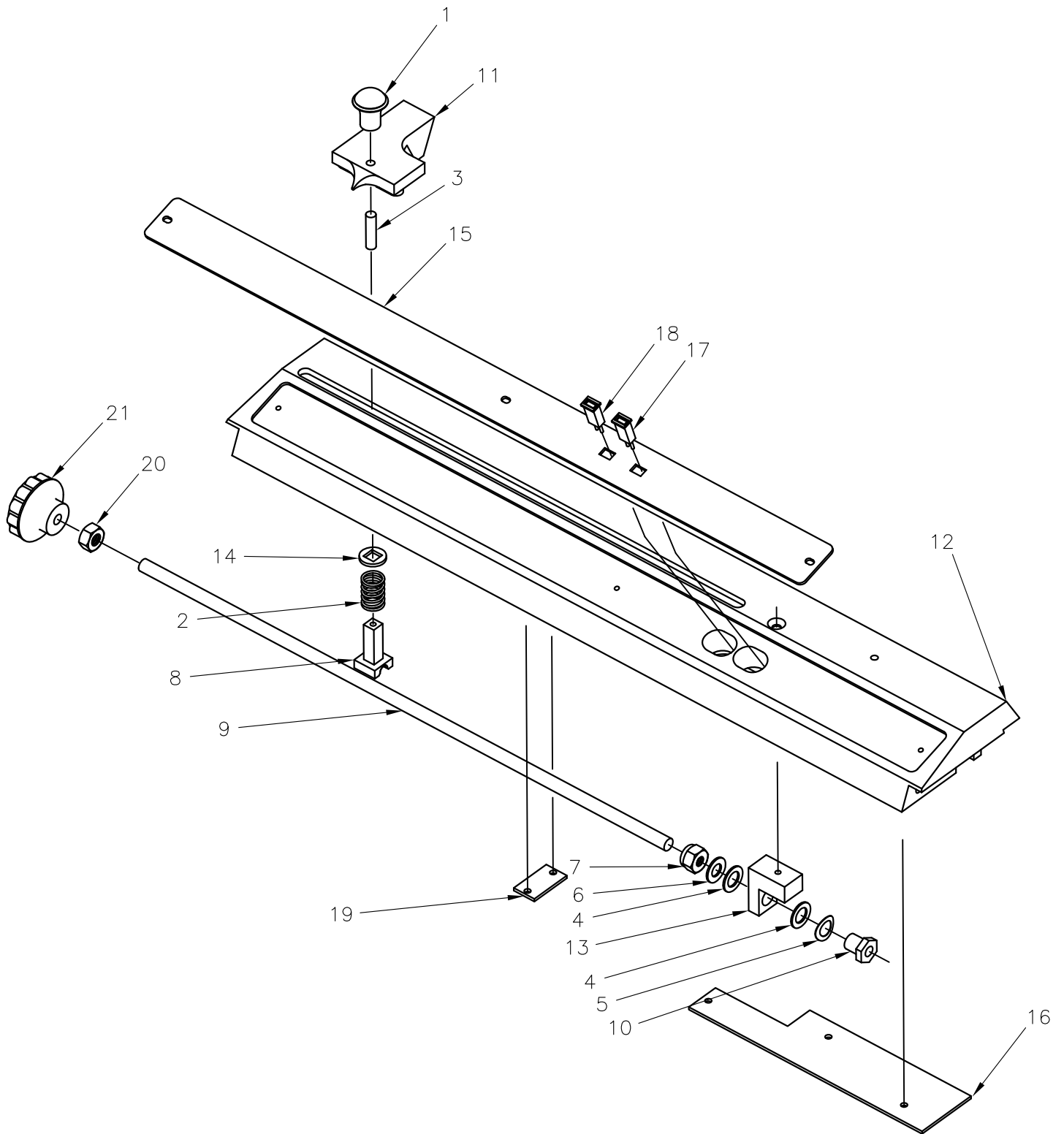


# HD-7700 PARTS BOOK

Page 8

PDi P/N 077480 (077810 CE)

- Assembly, Paper Stop Adj. PLate -



# HD-7700 PARTS BOOK

Page 9

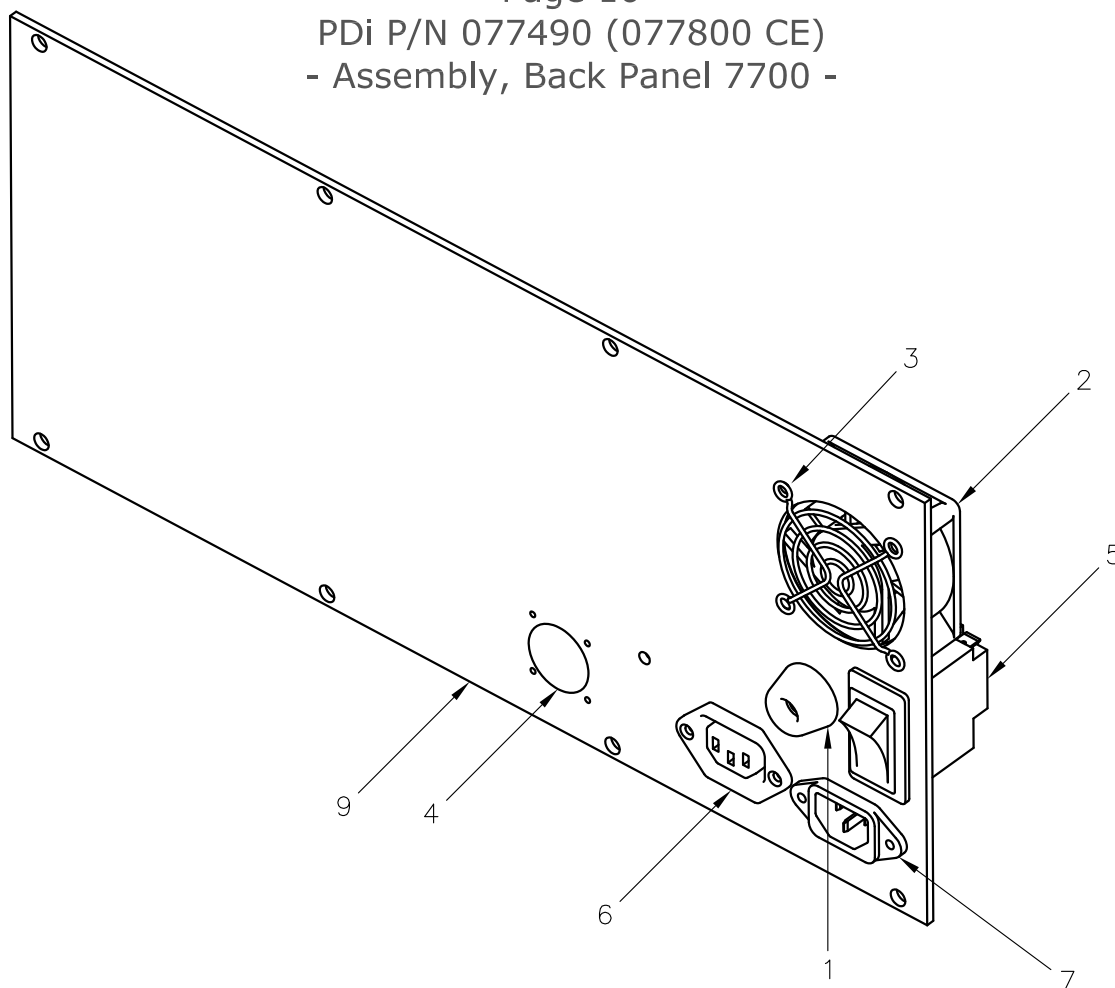
PDi P/N 077480 (077810 CE)  
- Assembly, Paper Stop Adj. Plate -  
Index

|      |     |             |                                | Parts List    |  |
|------|-----|-------------|--------------------------------|---------------|--|
| ITEM | QTY | PART NUMBER | DESCRIPTION                    | NOTE          |  |
| 1    | 1   | 001261      | KNOB,PLASTIC PUSH-PULL 6-32    |               |  |
| 2    | 1   | 001423      | SPRING, PAPER STOP 7700        |               |  |
| 3    | 1   | 001443      | SC,SHSS 6-32 X 3/4"            |               |  |
| 4    | 2   | 001451      | WASHER,TEFLON .312 X .515 .031 |               |  |
| 5    | 1   | 001452      | WASHER,SPRING .315 X .500      |               |  |
| 6    | 1   | 001453      | WASHER,AN .260 X .500 .032T    |               |  |
| 7    | 1   | 004000      | NUT,NYLOCK 1/4-20              |               |  |
| 8    | 1   | 077100      | BOLT,PAPER STOP                |               |  |
| 9    | 1   | 077110      | SHAFT,PAPER STOP ADJUSTMENT    |               |  |
| 10   | 1   | 077120      | NUT,PAPER STOP ADJUSTMENT      |               |  |
| 11   | 1   | 077190      | BLOCK,PAPER POINTER GUIDE      |               |  |
| 12   | 1   | 077200      | BAR,BACKUP & PAPER INDEX GUIDE |               |  |
| 13   | 1   | 077250      | BLOCK,ADJUSTMENT KNOB          |               |  |
| 14   | 1   | 077420      | WASHER,7700 PAPER STOP ASSY    |               |  |
| 15   | 1   | 977180      | PLATE,INDEX SILK SCREENED      | P/N 978180 CE |  |
| 16   | 1   | 977240      | PLATE,TOP WIREWAY              |               |  |
| 17   | 1   | 977330      | LED, GREEN 7700 LUMEX 5 VOLT   |               |  |
| 18   | 1   | 977340      | LED, RED 7700 LUMEX 5 VOLT     |               |  |
| 19   | 1   | 977380      | SUPPORT,BACKUP BAR ALLTHREAD   |               |  |
| 20   | 1   | 004090      | NUT 1/4-20                     |               |  |
| 21   | 1   | 001428      | KNOB STUDED 1/4 20 FEMALE      |               |  |

# HD-7700 PARTS BOOK

Page 10

PDi P/N 077490 (077800 CE)  
 - Assembly, Back Panel 7700 -



| ITEM | QTY | PART NUMBER | Parts List<br>DESCRIPTION     | NOTE                            |
|------|-----|-------------|-------------------------------|---------------------------------|
| 1    | 1   | 001050      | FEET,RUBBER SCREW MOUNT       |                                 |
| 2    | 1   | 001426      | FAN, COOLING 7700             | P/N 001455 CE 230V              |
| 3    | 1   | 001427      | GUARD, FAN 7700               | P/N 001456 CE                   |
| 4    | 1   | 001445      | PLUG,HOLE STEEL 7/8" NICKEL   |                                 |
| 5    | 1   | 007013      | BREAKER,CIRCUIT 10 AMP        | P/N 008160 CE 230V              |
| 6    | 1   | 007040      | RECEPTICLE, CORD FOOT PEDAL   |                                 |
| 7    | 1   | 007050      | RECEPTICLE, CORD POWER        |                                 |
| 9    | 1   | 977350      | PANEL,BACK UL 7700            | P/N 977140 CE                   |
| 8    | 1   | 977090      | HARNESS, WIRE 7700 BACK PANEL | P/N 977140 CE 230V<br>NOT SHOWN |