

# **Skyline**

**Book Binding Machines & Supplies**

Sales • Service • Repair

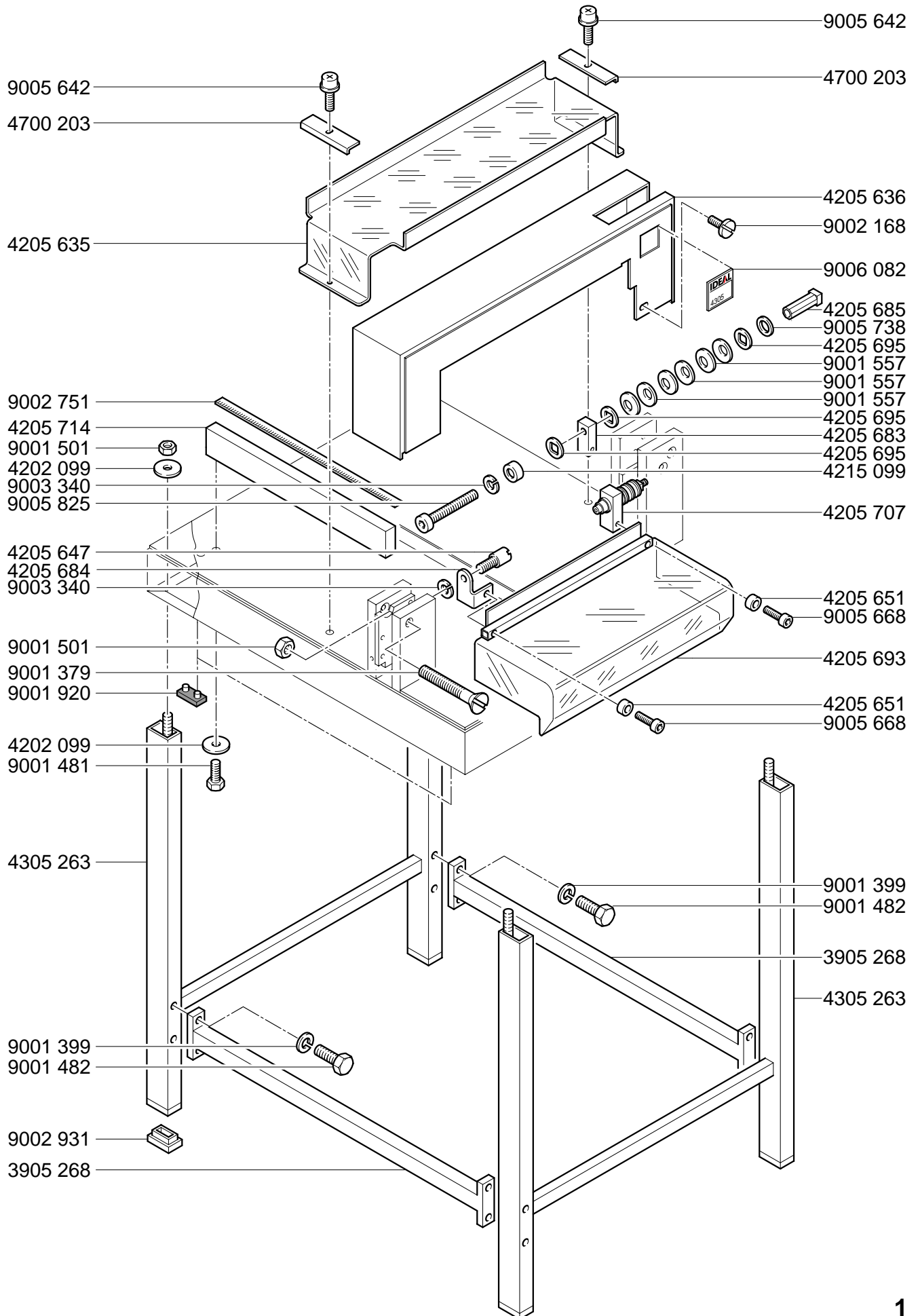
Professional Service – Fast Nationwide Shipping

1-866-455-9900

[www.OnlineSkyline.com](http://www.OnlineSkyline.com)   [CustomerService@onlineskyline.com](mailto:CustomerService@onlineskyline.com)

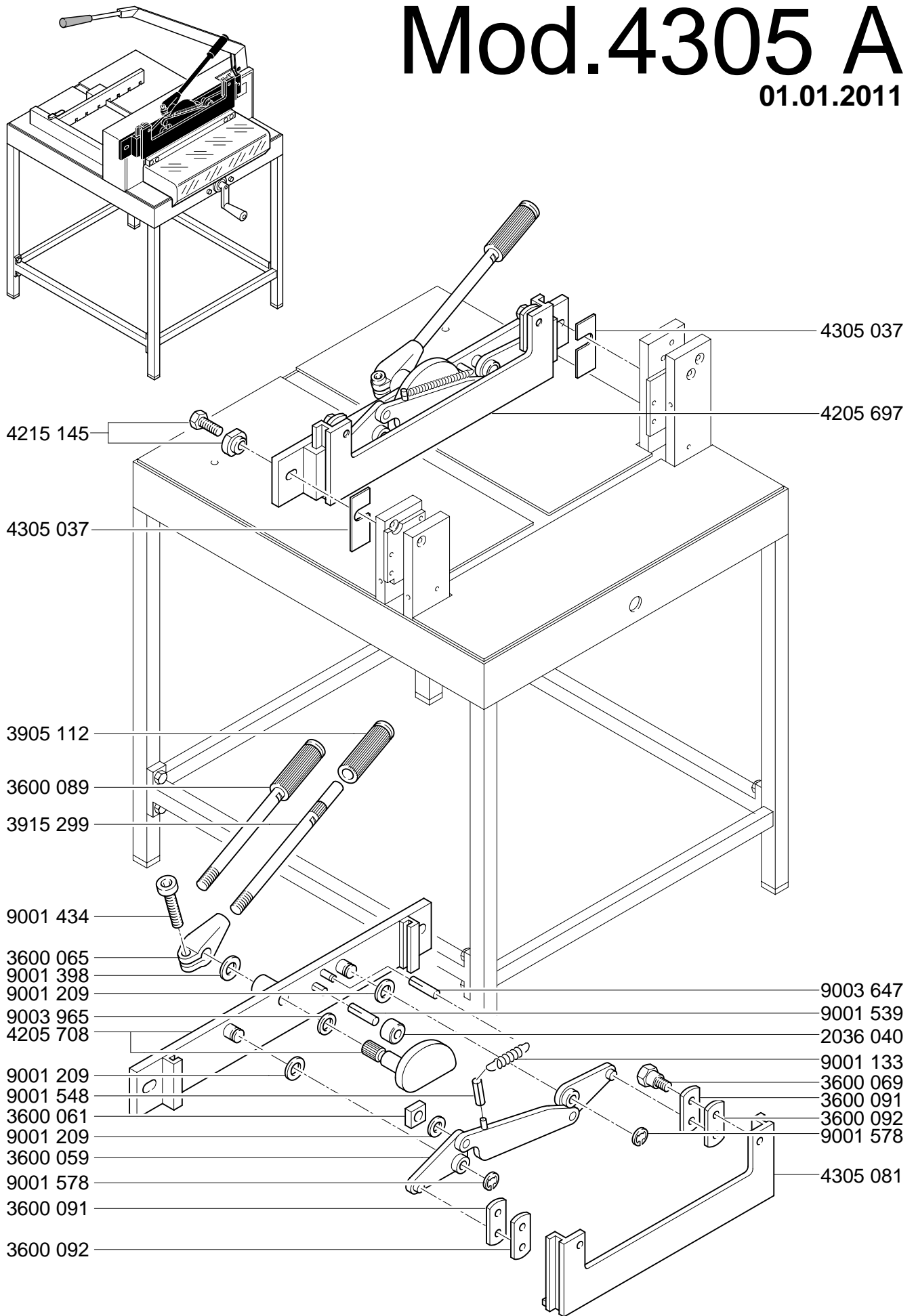
# Mod.4305 A

01.01.2011



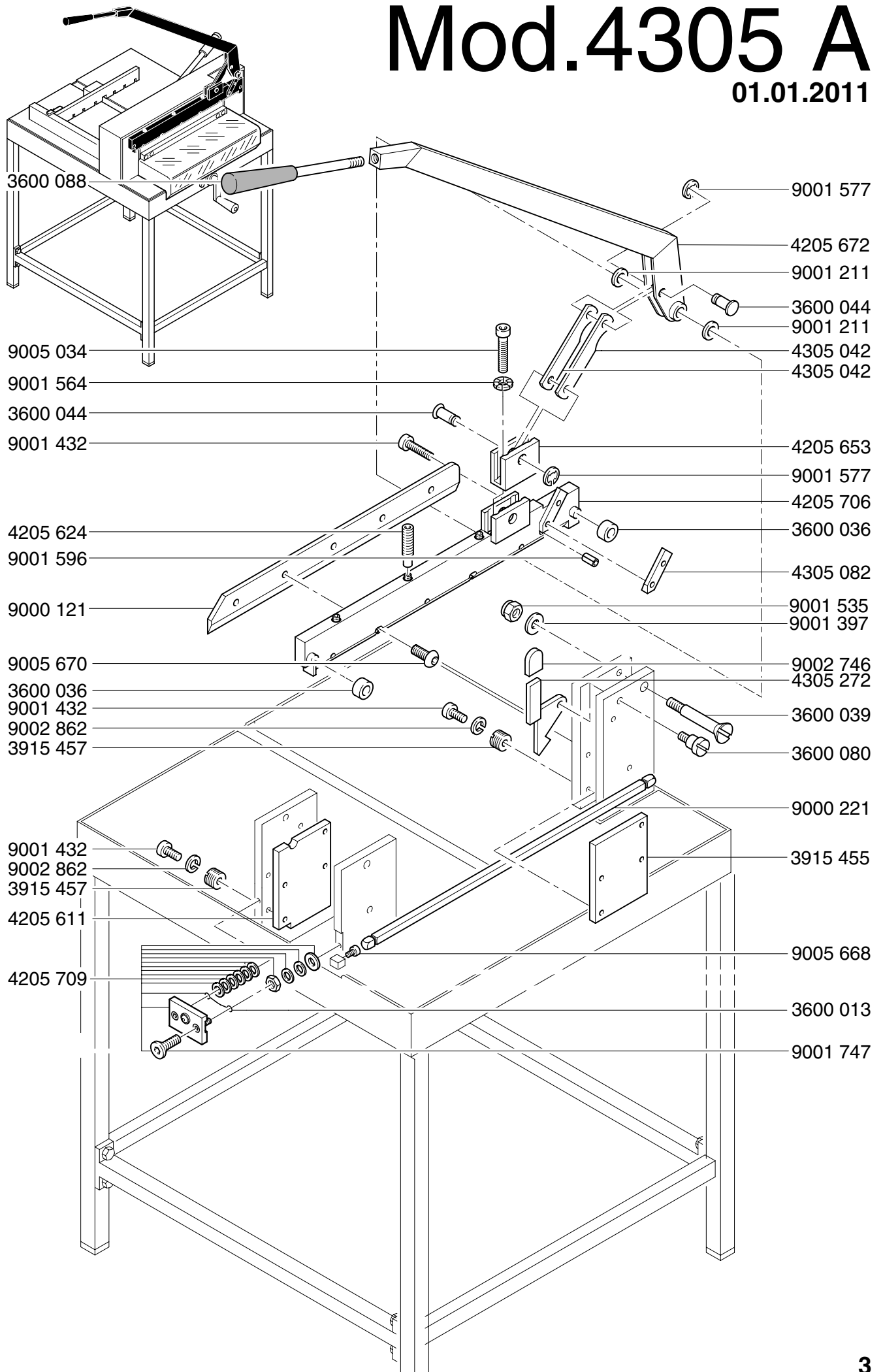
# Mod.4305 A

01.01.2011



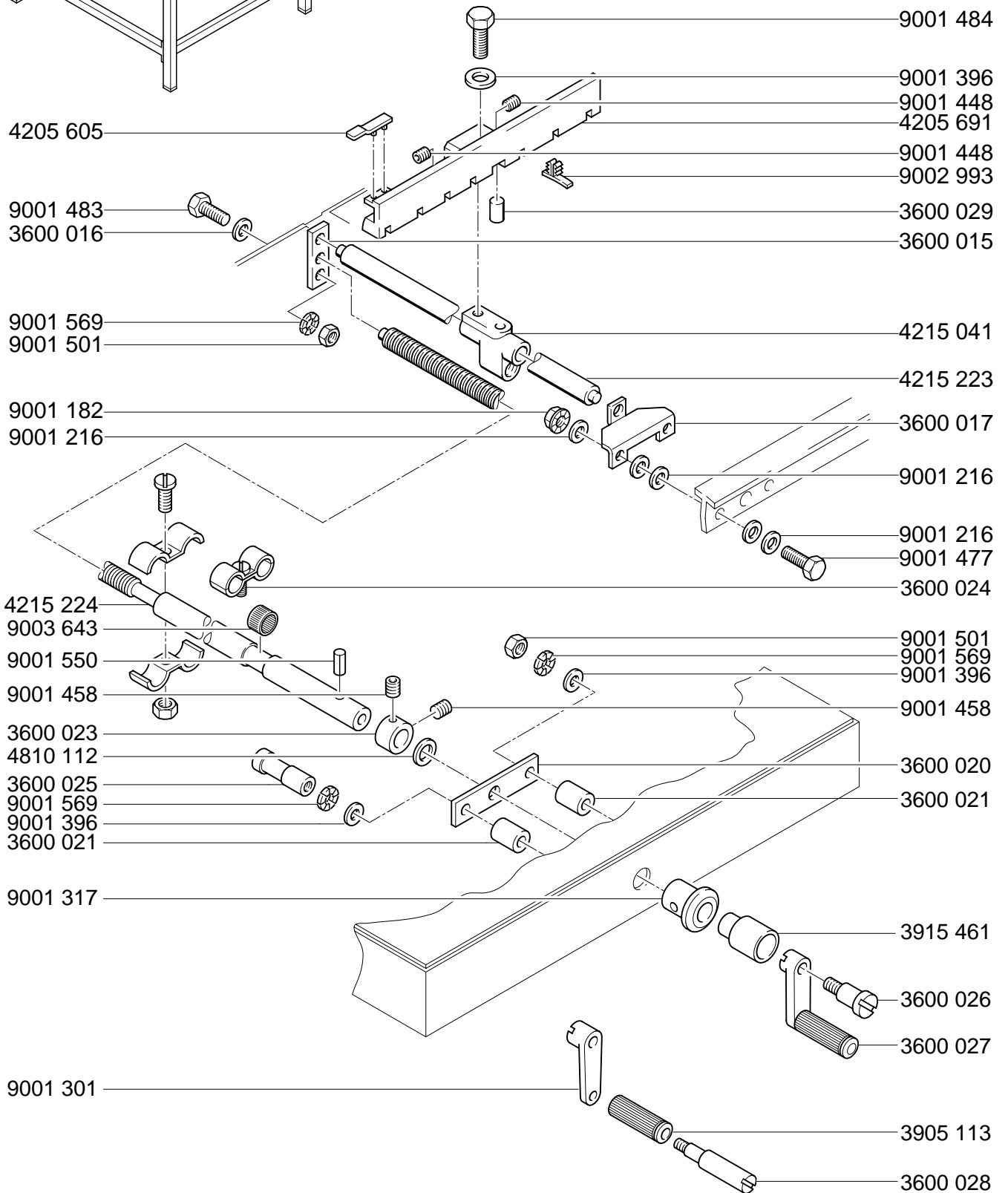
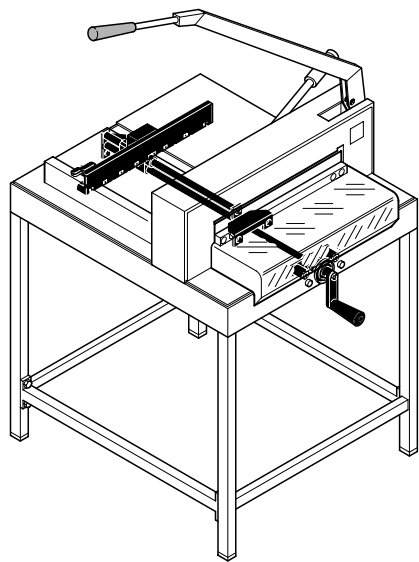
# Mod.4305 A

01.01.2011



# Mod.4305 A

01.01.2011



# Mod.4305 A

01.01.2011

