



# **Skyline**

**Book Binding Machines & Supplies**

Sales • Service • Repair

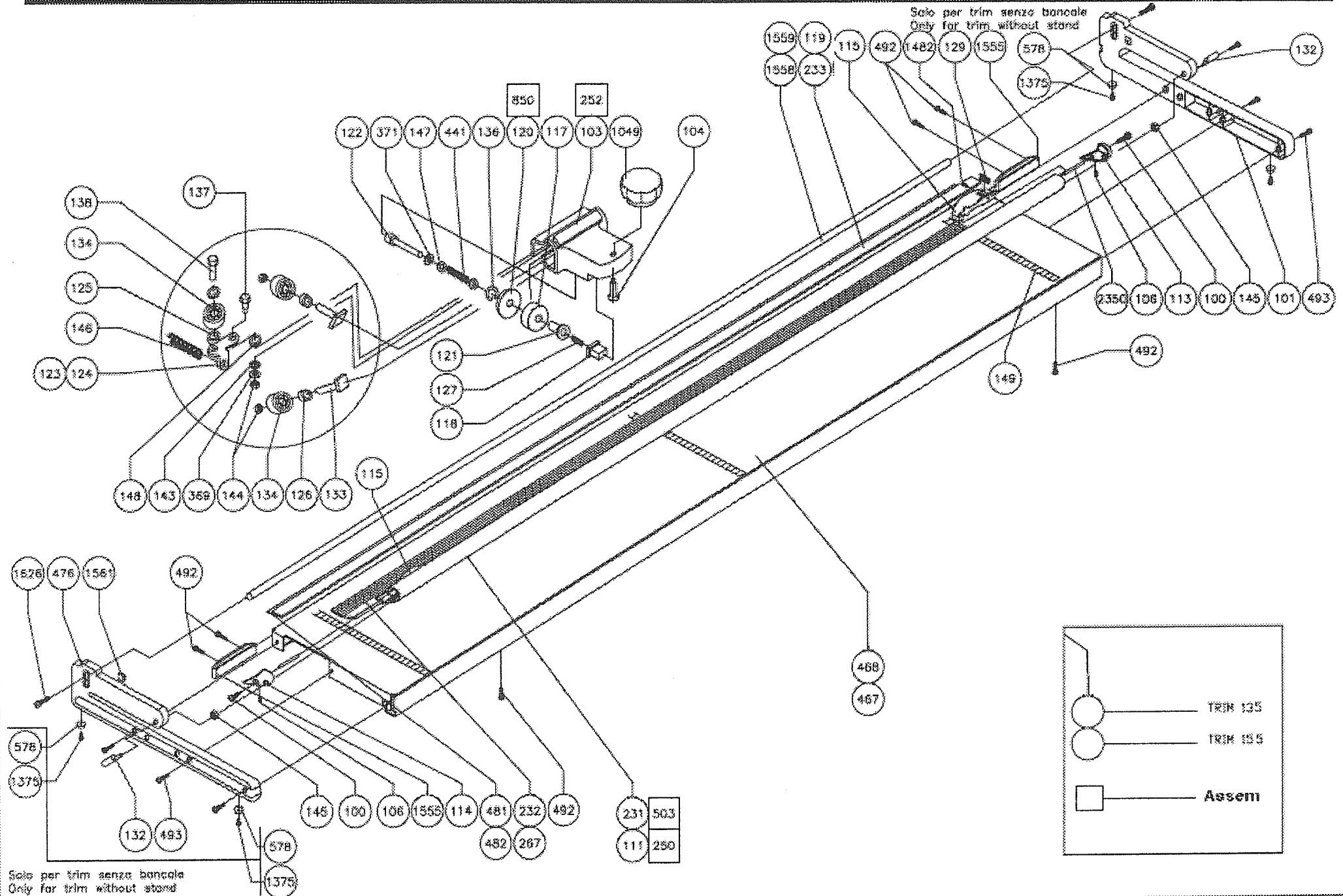
Professional Service – Fast Nationwide Shipping

1-866-455-9900

[www.OnlineSkyline.com](http://www.OnlineSkyline.com)   [CustomerService@onlineskyline.com](mailto:CustomerService@onlineskyline.com)

# TRIM 135 155

REV.4 - 09/2005





# TRIM 135 155

REV,3 - 06/2005

OPZIONALE/OPTIONAL

