



Skyline

Book Binding Machines & Supplies

Sales • Service • Repair

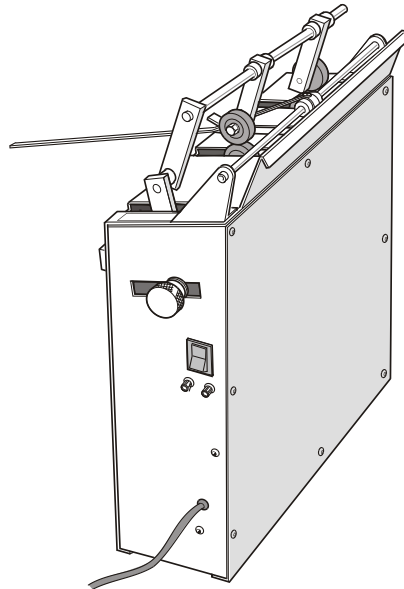
Professional Service – Fast Nationwide Shipping

1-866-455-9900

www.OnlineSkyline.com CustomerService@onlineskyline.com

BOOKLETMAKER MOTORISED INTERFACE

Parts Lists and Drawings



KAS

KAS Paper Systems Limited
Brewers Hill Road
Dunstable
Bedfordshire LU6 1AD
England

44 (0) 1582 662211
44 (0) 1582 664222

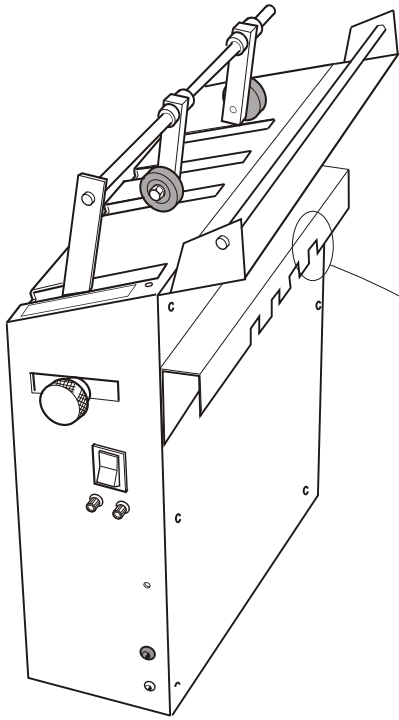


Figure 2. - Interface Maxum/Plockmatic.

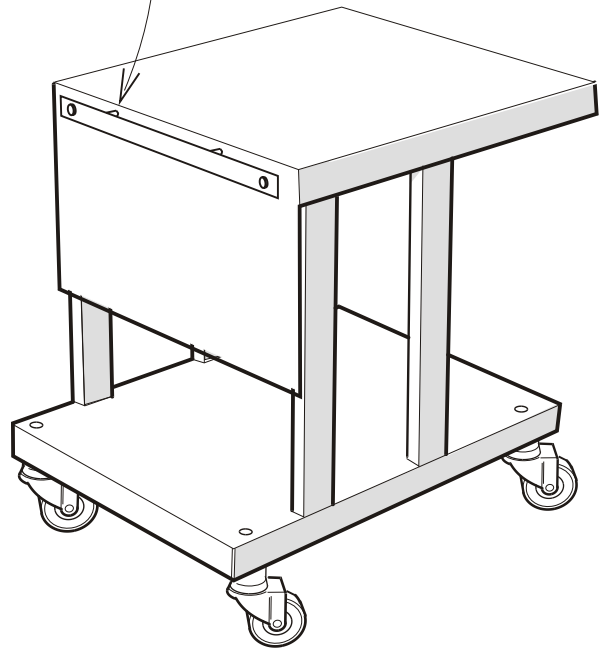
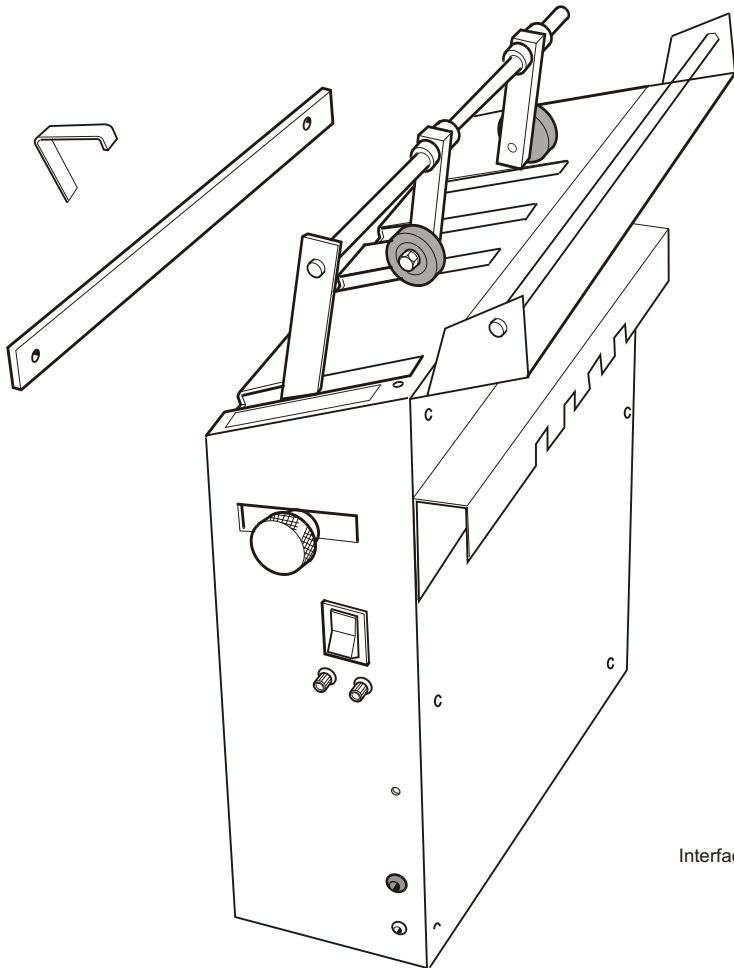
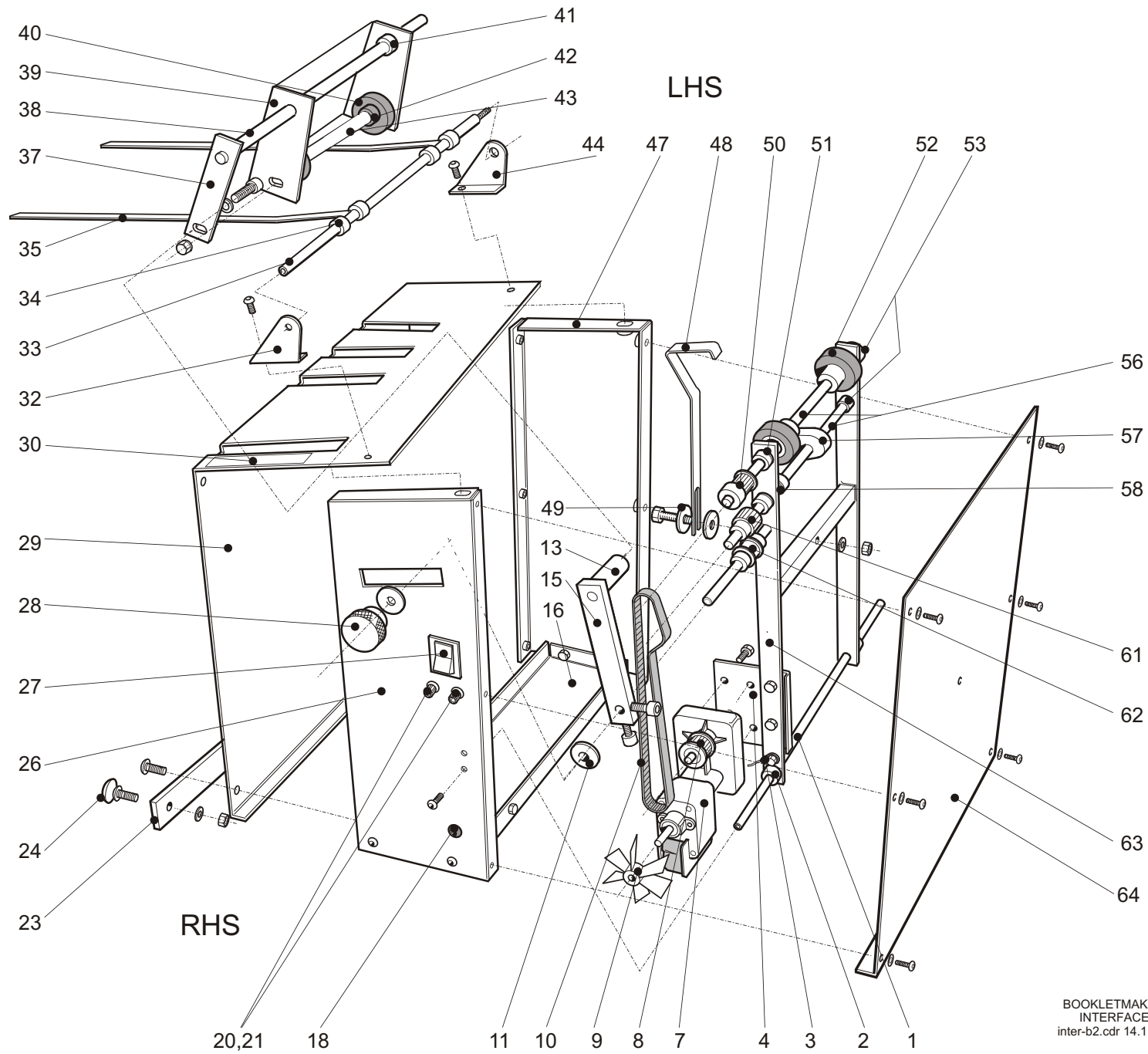
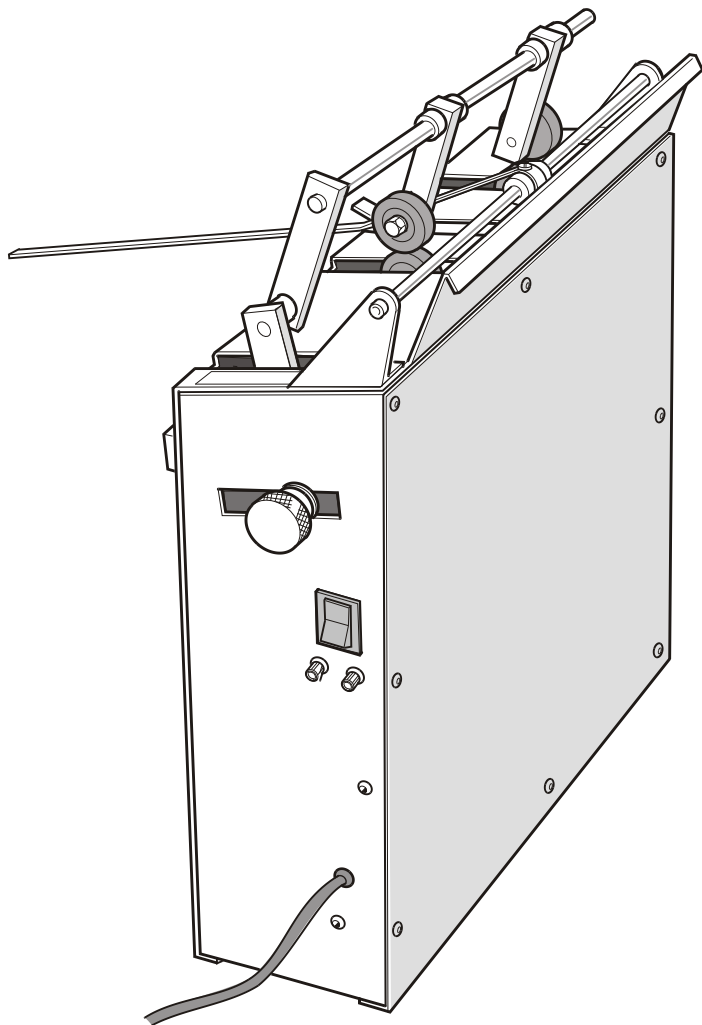


Figure 1. - Interface stand.



Interface type A





KASFOLD INTERFACE - Parts List.

New No.	Part	Quantity	Description	Old No.
1.00				
1.01	Shaft	1	3/8" OD	33
1.02	Collar	2	3/8" ID	16
1.03				
1.04	Motor plate	1		35
1.05				
1.06				
1.07	Motor	1		17
1.08	Motor pulley	1		13
1.09	Motor fan	1		14
1.10a	Timing belt	1	180 XL 037	12
1.10b	Timing belt	1	190 XL 037	73
1.11	Spacer	2		
1.12				
1.13	Spacer	1		1
1.14				
1.15	Paper drive assembly adj. arm	1		2
1.16	Base plate	1		34
1.17				
1.18	Strain relief bush	1		
1.19				
1.20	Fuse holder	2		6
1.21	Fuse	2	1.6 A	6a
1.22				
1.23	Support bar	1		
1.24	Cap	2		
1.25				
1.26	Side panel - RHS	1		3
1.27	On/off switch	1		5
1.28	Adjustment knob	1		4
1.29	Front slotted panel	1		30
1.30	Indicator tape	1		
1.31				
1.32	Paper guide bracket - RHS	1		89
1.33	Paper guide shaft	1	6 mm OD	90
1.34	Gromet	4		
1.35	Paper guide	2		91
1.36				
1.37	Wheel assembly mount block	1		
1.38	Shaft	1	3/8" OD	7
1.39	Wheel retaining bracket	1		
1.40	Control wheel	2		8
1.41	Collar	1	3/8" ID	16
1.42	Collar	4	6 mm ID	
1.43	Shaft	1	6 mm OD	
1.44	Paper guide bracket - LHS	1		88

Specify serial no. and collator type with order

KASFOLD INTERFACE - Parts List.

New No.	Part	Quantity	Description	Old No.
1.55				
1.56	Shaft	2	3/8" OD	31
1.57	Nudger	1		24
1.58	Collar			
1.59				
1.60				
1.61	Timing pulley	1		10
1.62	Idle pulley	1		11
1.63	H - Frame	1		25
1.64	Back plate	1		
1.65				
1.66				

Specify serial no. and collator type with order