



# **Skyline**

**Book Binding Machines & Supplies**

Sales • Service • Repair

Professional Service – Fast Nationwide Shipping

1-866-455-9900

[www.OnlineSkyline.com](http://www.OnlineSkyline.com)   [CustomerService@onlineskyline.com](mailto:CustomerService@onlineskyline.com)

# **TABLE TOP PAPER COLLATOR**

**FC-10**

**TRANSPORT UNIT**

**PARTS LIST**

# Screw, nuts, washers, to be used for folders

Description of parts (screw,E-ring, spring pin, etc.) illustrated

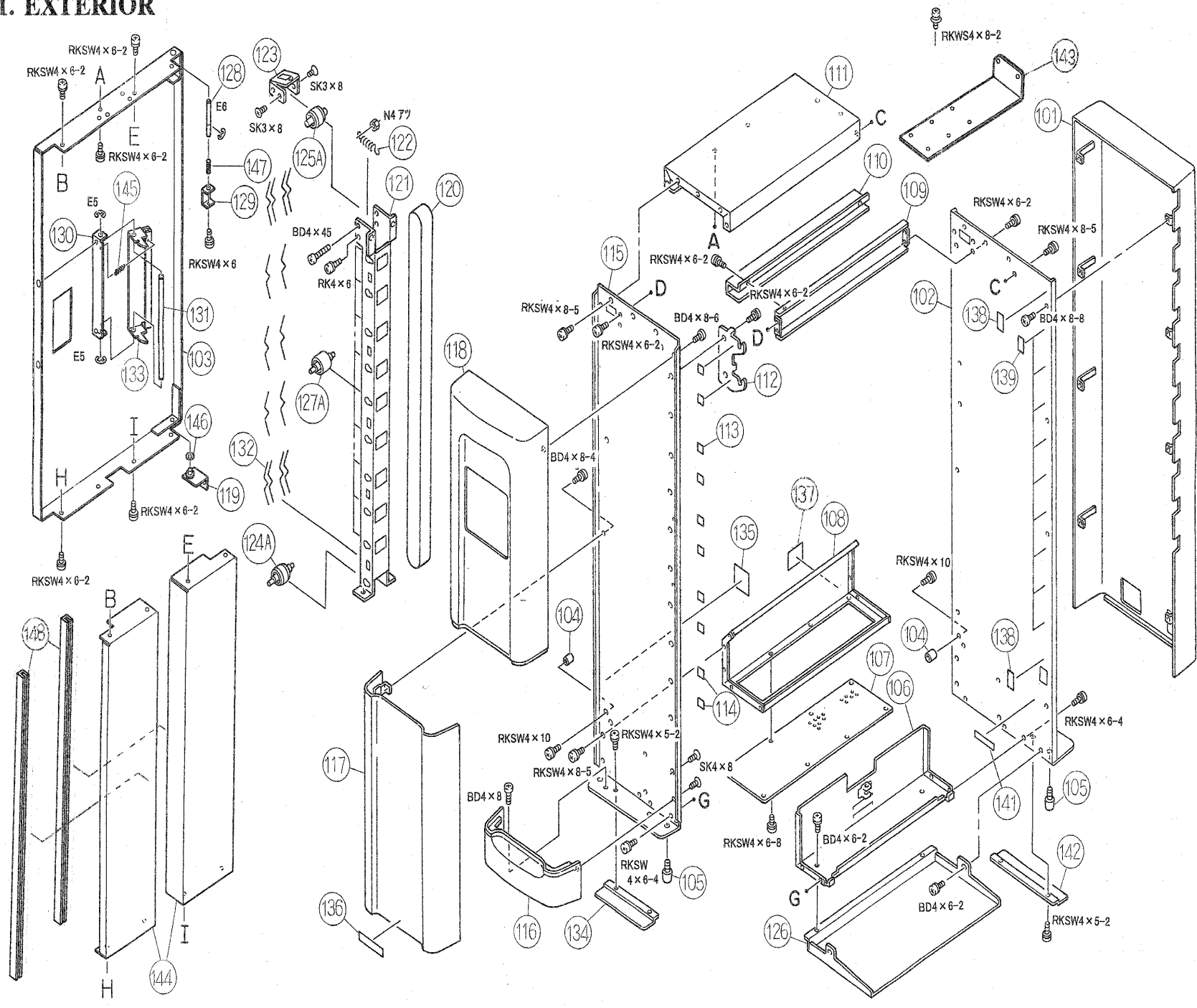
\* Orders for screws, washers, etc. should be given based on a minimum lot of 30 per item to facilitate shipping.

(We ask that orders be given at one time for as many items as possible.)

Parts ref No.	Parts Name	Size	FOB (pcs/set)	Example:
RK	: Round head screw (30 pcs/set)	1-4mm	90yen	RKSW4×6-2 : Two round head screws with spring washer 4mm in diameter, 6mm long
		5mm or more	150yen	
RKSW	: Round head screw with spring washer (30 pcs/set)	1-4mm	90yen	RKWS4×8 : One round head screw with spring washer 4mm in diameter, 8mm long
		5mm or more	180yen	
RKWS	: Flat washer and round head screw with spring washer (30 pcs/set)		150yen	
HB	: Hexagon head screw (30 pcs/set)		225yen	HS4×6 : One hexagon socket set screw 4mm in diameter, 6mm long
SK	: Countersunk head screw (30 pcs/set)		90yen	
HS	: Hexagon socket set screw (30 pcs/set)		600yen	N, SW4 : One each of spring washer 4mm in diameter plus nut
BD	: Bind screw (30 pcs/set)		180yen	
TP	: Self-tapping screw (RKTP...pan head, SKTP...countersunk) (30 pcs/set)		90yen	SP3×20 : One spring pin 3mm in diameter, 20mm long
N	: Nut (30 pcs/set)	1-6mm	150yen	E4-2 : Two 4mm E rings
		6mm or more	270yen	
SW	: Spring washer (30 pcs/set)		60yen	
W	: Flat washer (30 pcs/set)		60yen	[Note]
SP	: Spring pin (30 pcs/set)	1-3mm	450yen	• Prices shown are unit prices for single parts. They do not include consumption tax.
		4mm or more	225yen	
E	: E-type stopper ring (E ring) (30 pcs/set)	1-8mm	180yen	
		10mm	270yen	
ST	: Tap tight screw (RKST...pan head, RKST...countersunk) (30 pcs/set)		150yen	
WW	: Wave washer (30 pcs/set)		225yen	
RKPT	: P tight screw (30 pcs/set)		600yen	
	: Cap screw (30 pcs/set)		300yen	

1. EXTERIOR .....	1
2. DRIVING UNIT.....	3
3. PAPER FEED UNIT .....	5
4. PAPER FEED TABLE / STACKING TABLE .....	7
5. ELECTRICAL UNIT .....	9
6. ELECTRICAL UNIT / ATTACHMENT .....	11
7. TRANSPORT UNIT.....	13

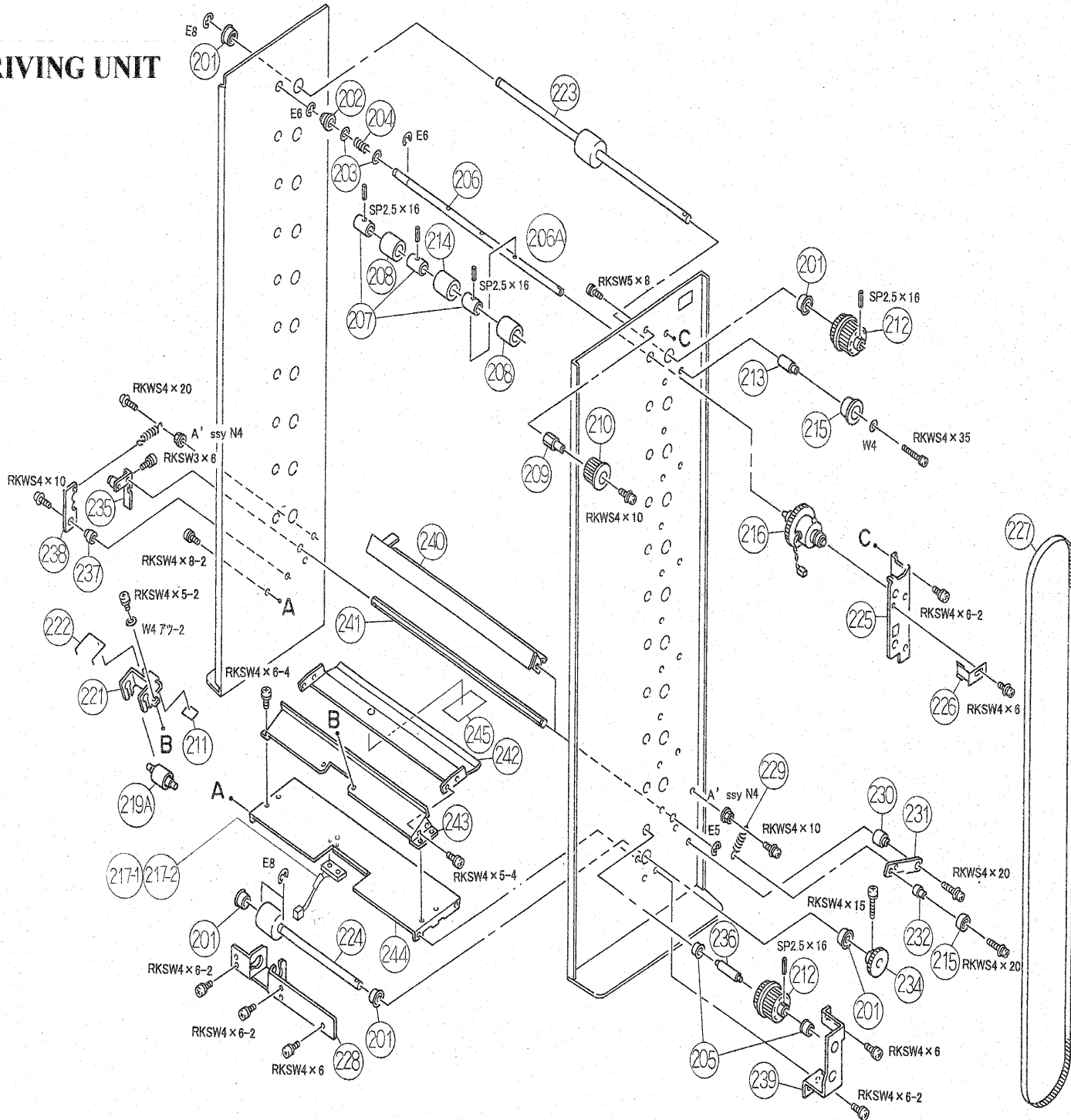
# 1. EXTERIOR



# 1. EXTERIOR

Drawing No.	Part No.	Part	Qty	Remarks	Drawing No.	Part No.	Part	Qty
101	4147-0011	Right cover	1	4147-0012(8p)	131	4147-0359	Handle shaft	1
102	4147-0002	Side plate, right	1		132	4147-0148	Door roller wire	14
103	4147-0352	Back door	1	4147-0363,0364	133	4147-0361	Door handle	1
104	145128	OP fitting pin	2		134	4147-0015	Fall-down prevention plate hook, right	1
105	51137	Leg rubber	4		135	6147-0212	Switch nameplate	1
106	4147-0021	Leg rubber table, front	1	145244	136	6147-0396	Machine model nameplate	1
107	4147-0004	Base plate	1		137	6147-0394	Rating nameplate	1
108	4147-0003	Rear leg rubber table	1		138	146182	Paper feed pressure name plate A	2
109	4147-0156	Door stay, upper	1		139	146185	Paper feed pressure name plate B	8
110	4147-0160	Harness holder B	1					
111	4147-0013	Upper table	1		141	6147-0229	Breaker nameplate 1.6A	1
112	4147-0055	Table hook plate	5			6147-0230	Breaker nameplate 3.15A	1
113	141206	Table number nameplate (No.1-No.8)	1		142	4147-0016	Fall-down prevention plate hook, left	1
114	146181	Table number nameplate (No.9.No.10)	1		143	4147-0372	Fixing plate	1
115	4147-0001	Side plate, left	1		144	4147-0355	Wing	2
116	4147-0009	Left lower cover	1		145	4147-0356	Door handle SP	1
117	4147-0010	Left center cover	1	146194(4p),146195(2p)	146	4147-0354	Door spacer	1
118	4147-0008	Left upper cover	1		147	4147-0353	Door release SP	1
119	4147-0351	Door hinge	1	4147-0353	148	4147-0195	Back door rubber	2
120	5147-0307	Flat belt	1					
121	4147-0141	Flat belt base	1					
122	4147-0147	Door tension SP	1					
123	4147-0146	Flat belt tensioner	1					
124A	3147-0236	Crown roller assembly B	1	4147-0142,0145,8mm E ring(2p)				
125A	3147-0237	Crown roller assembly A	1	4147-0142,0144,8mm E ring(2p),31508				
126	4147-0017	Fall-down prevention plate	1					
127A	3147-0238	Flat belt roller assembly	9	4147-0143,0145,8mm E ring(2p),31508				
128	4147-0357	Hinge pin, upper	1					
129	4147-0365	Door release plate	1					
130	4147-0360	Handle holder	1					

## 2. DRIVING UNIT

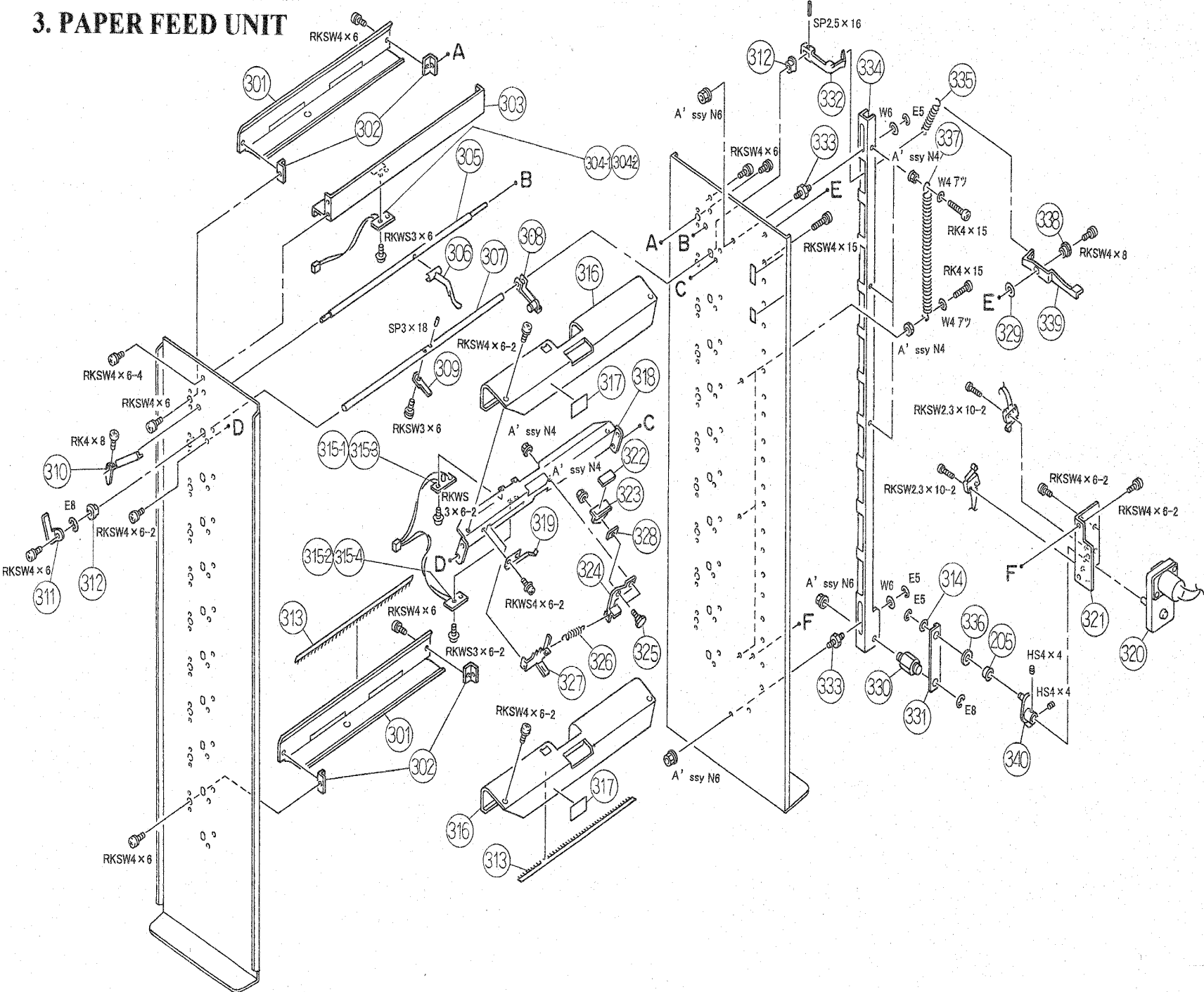


## 2. DRIVING UNIT

Drawing No.	Part No.	Part	Qty	Remarks	Drawing No.	Part No.	Part	Qty	Remarks
201	0260-7110	6900zzNR Bearing with ring	23		229	4147-0109	Belt tension SP	1	
202	145232	Paper feed bearing	10		230	4147-0101	Tension shaft A	1	
203	145234	Paper feed shaft SP collar	20		231	4147-0108	Tension plate	1	
204	145233	Paper feed shaft SP	10		232	4147-0102	Tension shaft B	1	
205	5147-0302	LNR-1360zz Bearing with ring	23						
206A	3147-0239	Paper feed shaft assembly	10	202,203,204,206,207	234	4147-0116	Paper ejection gear	1	
206	4147-0073	Paper feed shaft	10		235	4147-0184	Click arm	1	146132,20054
207	4147-0039	Paper feed roller holder	30		236	4147-0113	Paper ejection pulley shaft	1	
208	4147-0074	Paper feed rubber	20		237	4147-0183	Click arm shaft	1	
209	4147-0104	Top pulley shaft	1		238	4147-0182	Switch click plate	1	
210	4147-0131	Top pulley	1	4147-0132 (2p), 5147-0308 (2p)	239	4147-0112	Paper ejection pulley holder	1	
211	4147-0081	Paper ejection upper PP	1		240	4147-0179	Switch plate	1	4147-0180
212	4147-0107	Dual feed pulley	11		241	4147-0181	Guide switch shaft	1	
213	4147-0103	Tension shaft C	5		242	4147-0174	Lower switch plate guide	1	
214	145231	Paper feed roller	10		243	4147-0173	Lower paper ejection wing	1	
215	4147-0105	Flat idler pulley	6	5147-0304	244	4147-0171	Lower paper ejection guide	1	4147-0172
216	3147-0190	Paper feed clutch assembly	10	4147-0076,0077,0078,5147-0302(2p),145403	245	4147-0087	Lower paper ejection PP	1	
217-1	0145-3080	Upper photo sensor assembly	1						
217-2	7147-0305	Upper photo sensor assembly	1	After SERIAL No. 222011					
218	146087	Belt tension SP	1						
219A	3147-0240	Paper ejection roller assembly	1	4147-0080, 0082 (1p) , 31508, E8 (2p)					
221	4147-0175	Paper ejection roller upper holder	1						
222	4147-0176	Paper ejection roller spring	1						
223	4147-0106	Dual paper feed roller	10						
224	4147-0114	Paper ejection lower roller	1						
225	4147-0075	Clutch holder	5						
226	4147-0117	Belt guard	3						
227	5147-0306	Timing belt	1						
228	4147-0115	Paper ejection roller holder, lower	1						



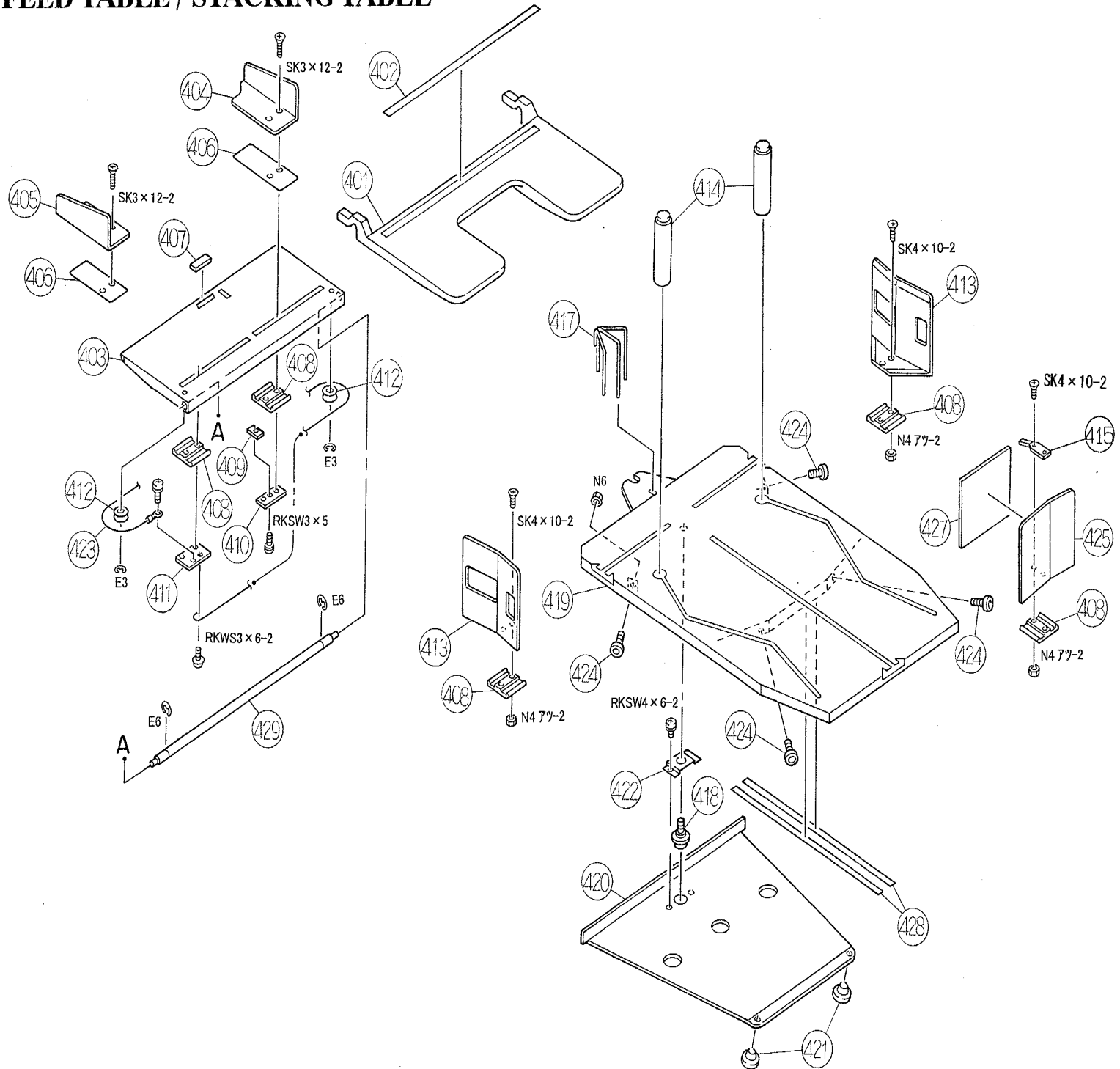
### 3. PAPER FEED UNIT



### 3. PAPER FEED UNIT

Drawing No.	Part No.	Part	Qty	Remarks	Drawing No.	Part No.	Part	Qty	Remarks
301	4147-0070	Upper guide	10		327	146103	Separator pressure adjustment plate	10	
302	145186	Upper guide fitting plate	20		328	4147-0079	Separator spacer	10	
303	4147-0157	Upper photo holder	1		329	4147-0066	Paper feed pressure lever spacer	10	
304-1	0145-3090	Lower photo sensor assembly	1		330	4147-0126	Lift link shaft	1	
304-2	7147-0306	Lower photo sensor assembly	1	After SERIAL No. 222011	331	4147-0125	Lift link	1	
305	4147-0062	Paper detection shaft	10		332	4147-0057	Paper feed SP lever	10	
306	4147-0063	Paper detection wire	10		333	4147-0128	Lift plate shaft	2	
307	4147-0056	Table up shaft	10		334	4147-0130	Lift plate	1	
308	3147-0058	Table up lever assembly	10	4147-0059,20054,146132	335	145213	Paper feed pressure SP	10	
309	4147-0061	Separator reset plate	10		336	4147-0127	Lift Br washer	1	
310	4147-0064	Paper detection lever	10		337	4147-0129	Lift Auxiliary SP	3	
311	4147-0060	Paper detection up lever	10		338	4147-0067	Paper feed pressure lever collar	10	
312	145417	Sintered metal B-F10-9	20		339	4147-0065	Paper feed pressure lever	10	
313	145189	Electrostatic rejector	10		340	3147-0121	Lift arm assembly	1	4147-0122 to 0124
314	145284	Pole washer	1						
315-1	0145-3080	Upper photo sensor assembly	10						
315-2	0145-3090	Lower photo sensor assembly	10						
315-3	7147-0305	Upper photo sensor assembly	10	After SERIAL No. 222011					
315-4	7147-0306	Lower photo sensor assembly	10	After SERIAL No. 222011					
316	4147-0069	Lower guide	10						
317	146183	Separator pressure nameplate	10						
318	4147-0068	Lower guide table	10						
319	146104	Click plate spring	10						
320	7147-0055	Lift motor	1						
321	4147-0120	Lift motor holder	1						
322	145181	Separator rubber	10						
323	146108	Separator holder	10						
324	4147-0071	Separator lever	10						
325	4147-0072	Separator center	20						
326	4147-0088	Separator sp	10						

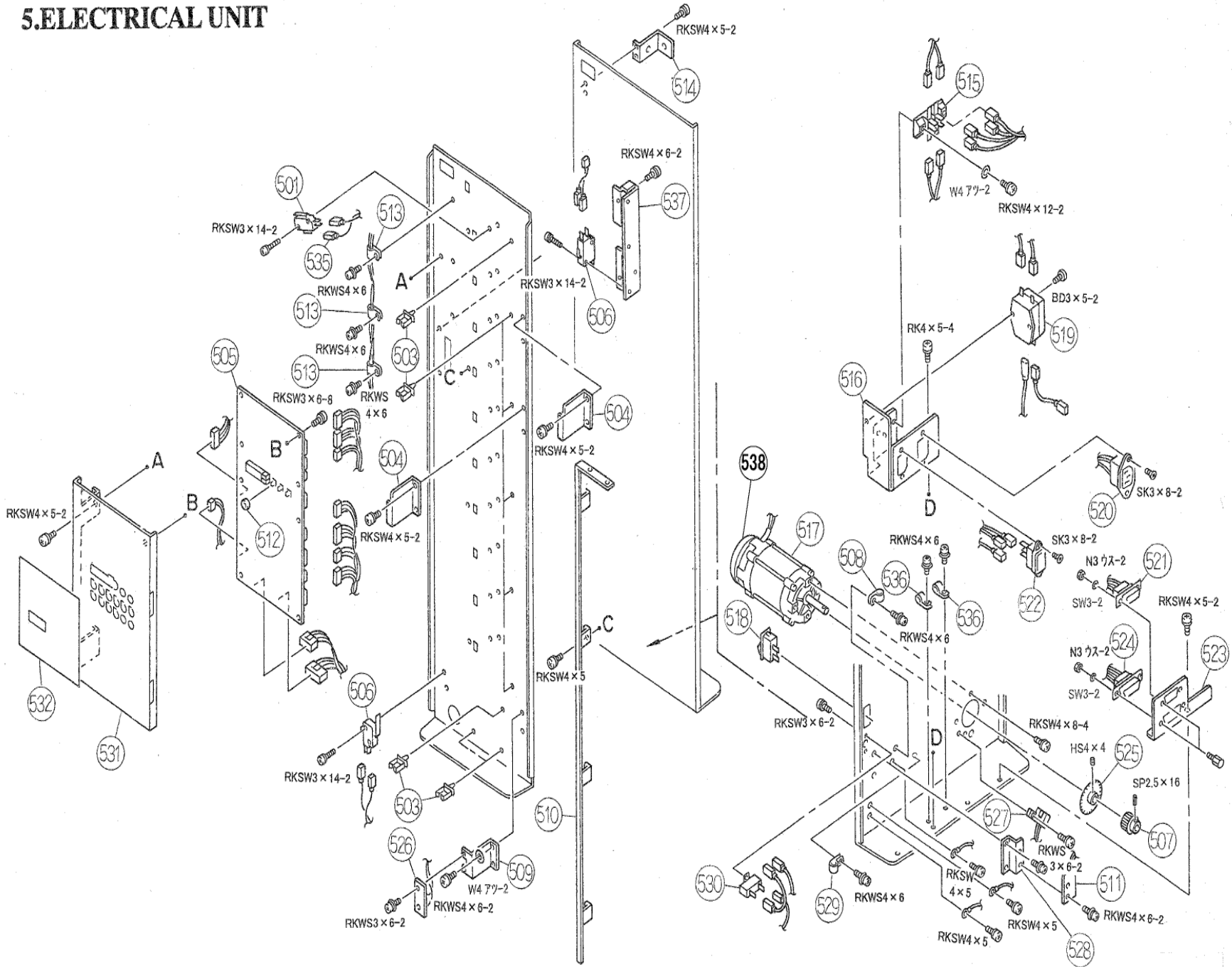
# 4. PAPER FEED TABLE / STACKING TABLE



#### 4. PAPER FEED TABLE/STACKING TABLE

Drawing No.	Part No.	Part	Qty	Remarks	Drawing No.	Part No.	Part	Qty	Remarks
401	4147-0054	Auxiliary table	10		429	4147-0045	Paper feed table shaft	10	
402	6147-0384	Paper feed table nameplate	10		—	3147-0242	Paper feed table assembly	10	403-412,423,429
403	4147-0041	Paper feed table	10	4147-0042(10p),4147-0043(20p)	—	3147-0244	Auxiliary table assembly	10	401,402
404	4147-0047	Paper feed guide, right	10		—	3147-0246	Stacking table assembly	1	408,413 to 422,424 to 428
405	4147-0046	Paper feed guide, left	10						
406	4147-0048	Paper feed guide PP	20						
407	4147-0044	Brake rubber	10						
408	4147-0049	Stacking guide fitting plate	23						
409	4147-0052	Wire holder C	10						
410	4147-0051	Wire holder B	10						
411	4147-0050	Wire holder A	10						
412	161234	Guide roller	20						
413	4147-0036	Stacking guide, right and left	2						
414	3147-0241	Slide pole assembly	23	147-0089,4147-0035,145282,145285					
415	4147-0199	Stacking guide plate	1						
417	3147-0185	Aligning wire	14	147-0186(2p),0187					
418	145413	Bearing DF-26-B2	1						
419	3147-0381	Stacking table assembly	14	147-0032 to 0034,0040,0382					
420	4147-0029	Stacking base	1						
421	145409	Plug cushion rubber	2						
422	145263	Bearing holder	1						
423	4147-0053	Paper guide wire	10						
424	145412	Bearing DR-19-B2	4						
425	4147-0083	Paper ejection slide guide	1						
427	4147-0084	Slide guide cushion	1						
428	4147-0085	Slide guide PP	2						

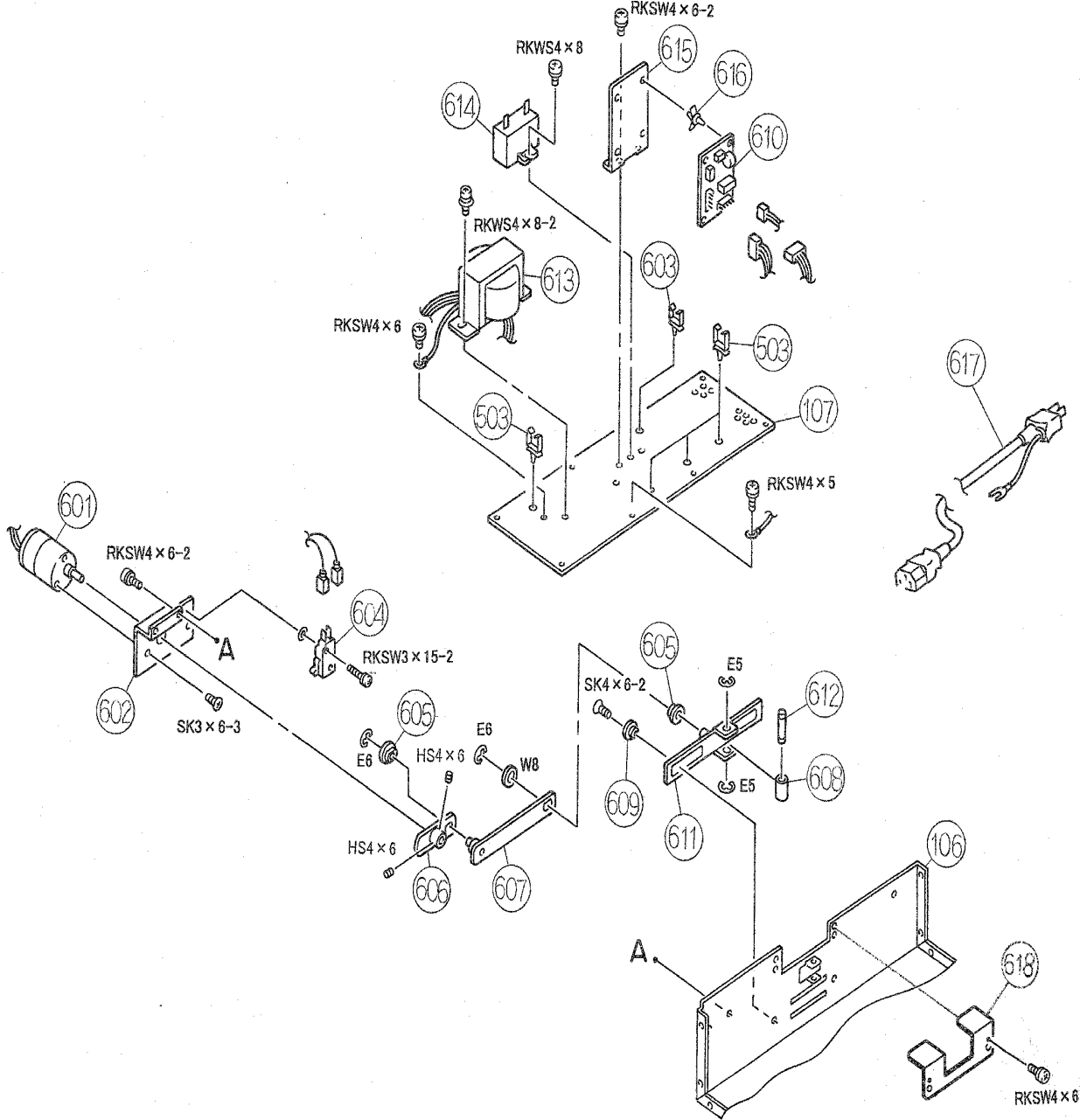
# 5.ELECTRICAL UNIT



## 5. ELECTRICAL UNIT

Drawing No.	Part No.	Part	Qty	Remarks	Drawing No.	Part No.	Part	Qty	Remarks
501	100313	Microswitch	10		527	7147-0366	Encoder harness assembly	1	
					528	4147-0178	Full stacking detection holder R	1	
503	145945	Wire saddle	13		529	51081	Nylon clamp AB-6N	1	
504	146177	Key panel hook	2		530	0141-7411	Breaker	1	3.15A
505	7147-0300	KEY circuit board	1			0147-0131	Breaker	1	1.6A
506	100346	Microswitch	3		531	4147-0014	Key panel	1	20121(8p)
507	4147-0110	Motor pulley 50Hz	1	145153	532	6147-0393	Operation panel nameplate	1	
	4147-0111	Motor pulley 60Hz	1						
508	51062	Nylon clamp AB-4N	3		535	7147-0120	Paper switch harness	1	
509	4147-0177	Full stacking detection holder L	1		536	143586	Nylon clamp AB-9N	2	
510	4147-0159	Harness holder A	1		537	4147-0362	Door switch holder	1	
511	0145-3090	Lower photo sensor assembly	1		538	7147-0097-00012	Cooling fan	1	
	7147-0306	Lower photo sensor assembly	1	After SERIAL No. 222011					
512	220116	Key switch ring	15						
513	7147-0250	Nylon clamp AB-2N	5						
514	4147-0158	Top harness holder	1						
515	80727	Terminal block	1						
516	4147-0006	Plug fitting plate A	1						
517	7147-0046	Motor	1						
518	20423-1	Power switch	1						
519	10204	Noise filter	1						
520	7147-0351	Outlet assembly	1						
521	7147-0110	Right connector harness	1						
522	260783	Shutter plate set	1						
523	4147-0007	Plug fitting plate B	1						
524	7147-0100	Left connector harness	1						
525	146065	Shutter plate set	1	146066,146067					
526	0145-3080	Upper photo sensor assembly	1						
	7147-0305	Upper photo sensor assembly	1	After SERIAL No. 222011					

# 6. ELECTRICAL UNIT / ATTACHMENT

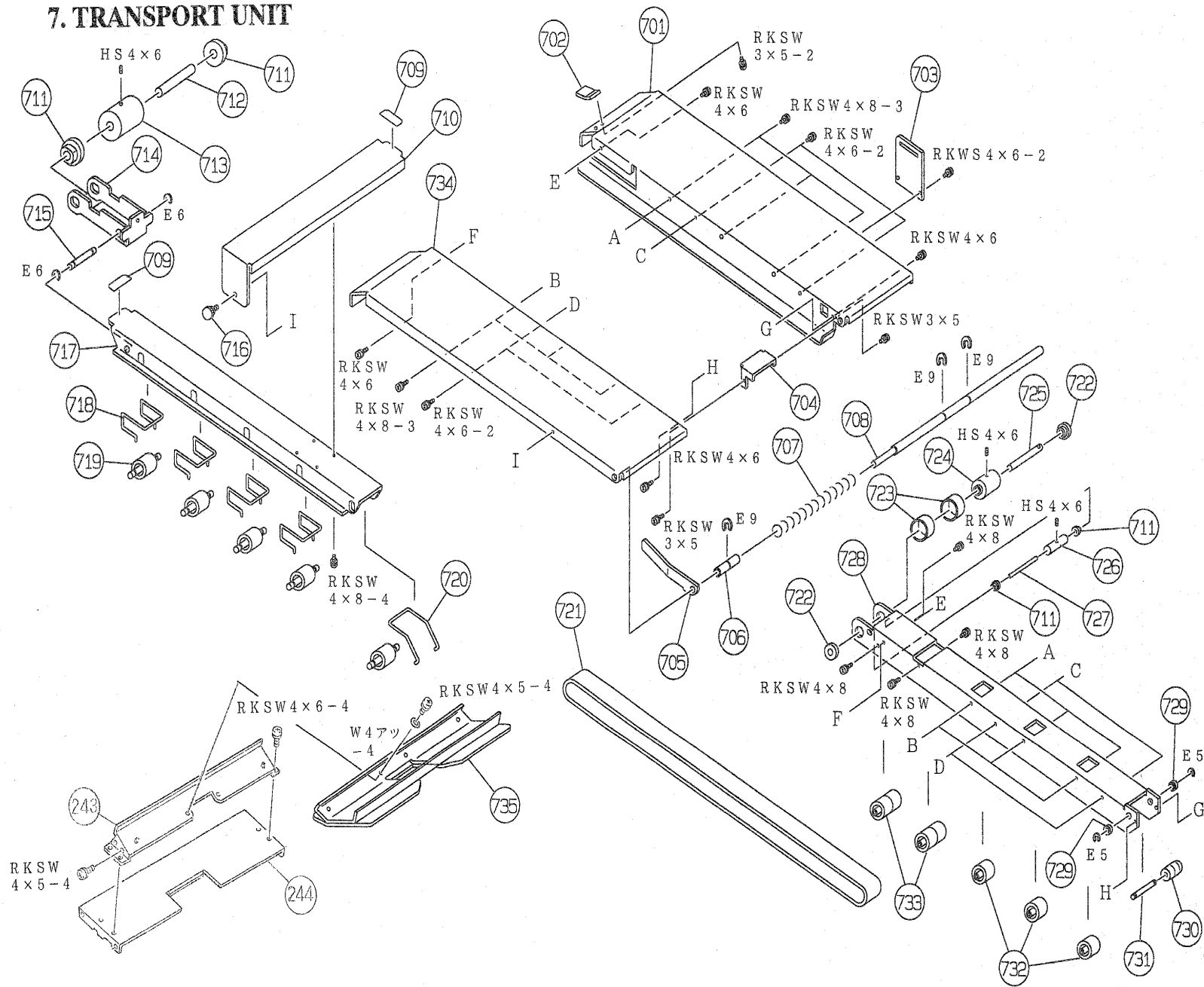


## 6. ELECTRICAL UNIT /ATTACHMENT

Drawing No.	Part No.	Part	Qty	Remarks	Drawing No.	Part No.	Part	Qty	Remarks
601	7147-0056	Section motor	1		106	4147-0021	Leg rubber table, front	1	
602	4147-0022	Section motor holder	1		107	4147-0004	Base plate	1	
603	145946	Wire saddle	1						
604	100351	Microswitch	1		503	145945	Wire saddle	13	
605	145415	Sintered metal B-F8-9	2						
606	3147-0023	Section cum assembly	1	4147-0024,0025					
607	3147-0026	Section link assembly	1	4147-0027,0028					
608	145261	Slide roller	1						
609	141031	Paper feed lever center	2						
610	7147-0301	Speed control circuit board	1						
611	145258	Section slide plate assembly	1	145257,145259					
612	145260	Slide plate center	1						
613	7147-0025	TC7 transformer	1						
614	—	Motor	1						
615	4147-0005	Control circuit board holder	1						
616	250512	Locking guard spacer	4						
617	72806	Power cord for U.S.A.	1						
	72807	Power cord for Germany	1						
	72809	Power cord for Britain	1						
	72810	Power cord for Australia	1						
618	4147-0371	Roller protector	1						



# 7. TRANSPORT UNIT



## 7. TRANSPORT UNIT

Drawing No.	Part No.	Part	Qty	Remarks	Drawing No.	Part No.	Part	Qty	Remarks
701	4147-1303	Right wing	1		730	145114	Crown roller	1	
702	4147-1329	Drive upper cover	1		731	4147-1315	Lower shaft A	1	
703	4147-1332	Bridge side plate	1		732	3147-1342	Flat belt roller B	3	4147-0143,1316, 5147-0303,0305(2p)
704	4147-1306	Entrance guide	1						
705	4147-1307	Fitting handle	1		733	3147-1343	Flat belt roller C	2	4147-0143(2p),1317, 5147-0303(2p),0305(2p)
706	4147-1323	R Fitting collar	1						
707	4147-1309	Fitting SP	1		734	4147-1302	Left wing	1	
708	4147-1322	R Fitting shaft	1		735	4147-1305	Fitting plate (L)	1	4147-1330
709	4147-1333	Bridge side plate PP	2						
710	4147-1331	Upper rail bridge	1						
711	145414	Sintered metal (B-F6-45)	4						
712	4147-1314	Upper shaft C	1						
713	4147-1325	Upper auxiliary roller	1						
714	4147-1328	Weight plate	1						
715	4147-1313	Upper shaft B	1		243	4147-0173	Lower paper ejection wing	1	
716	5147-1352	Knob	1		244	4147-0171	Lower paper ejection guide	1	4147-0172
717	4147-1304	Upper chassis	1	4147-1327					
718	4147-1310	Tension SP A	4						
719	3147-1341	Flat belt roller A	5	4147-0143,1312, 5147-0303,0305(2p)					
720	4147-1311	Tension SP B	1						
721	5147-1351	Belt	1						
722	0260-7110	6900ZZNR Bearing with ring	2						
723	141098	Flat belt gripper	2						
724	4147-1324	Driving roller	1						
725	4147-1320	Connecting shaft B	1						
726	4147-1326	Auxiliary roller, lower	1						
727	4147-1318	Lower shaft D	1						
728	4147-1301	Chassis	1						
729	5147-0302	LNR1360ZZ Bearing with ring	2						