

Skyline

Book Binding Machines & Supplies

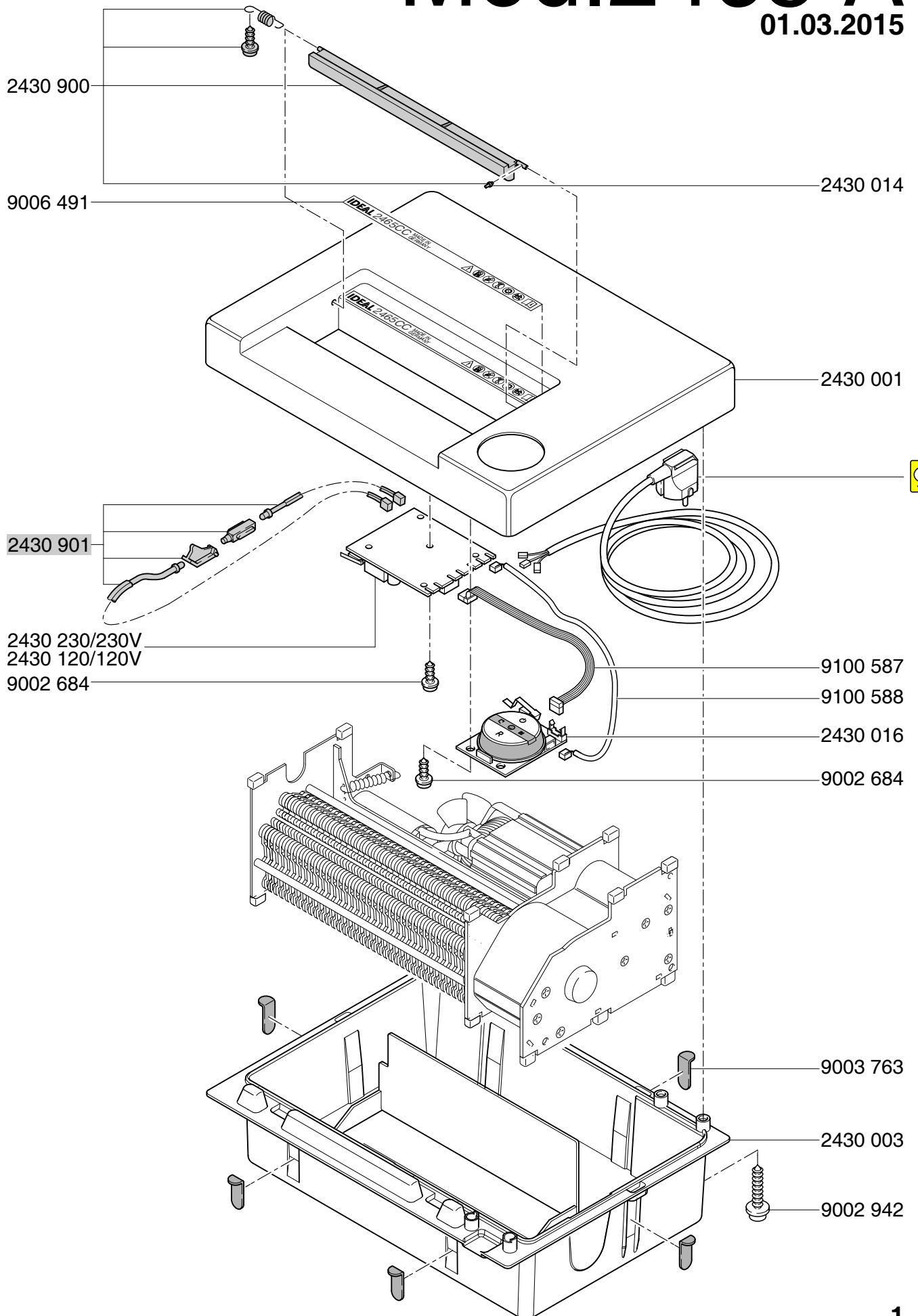
Sales • Service • Repair

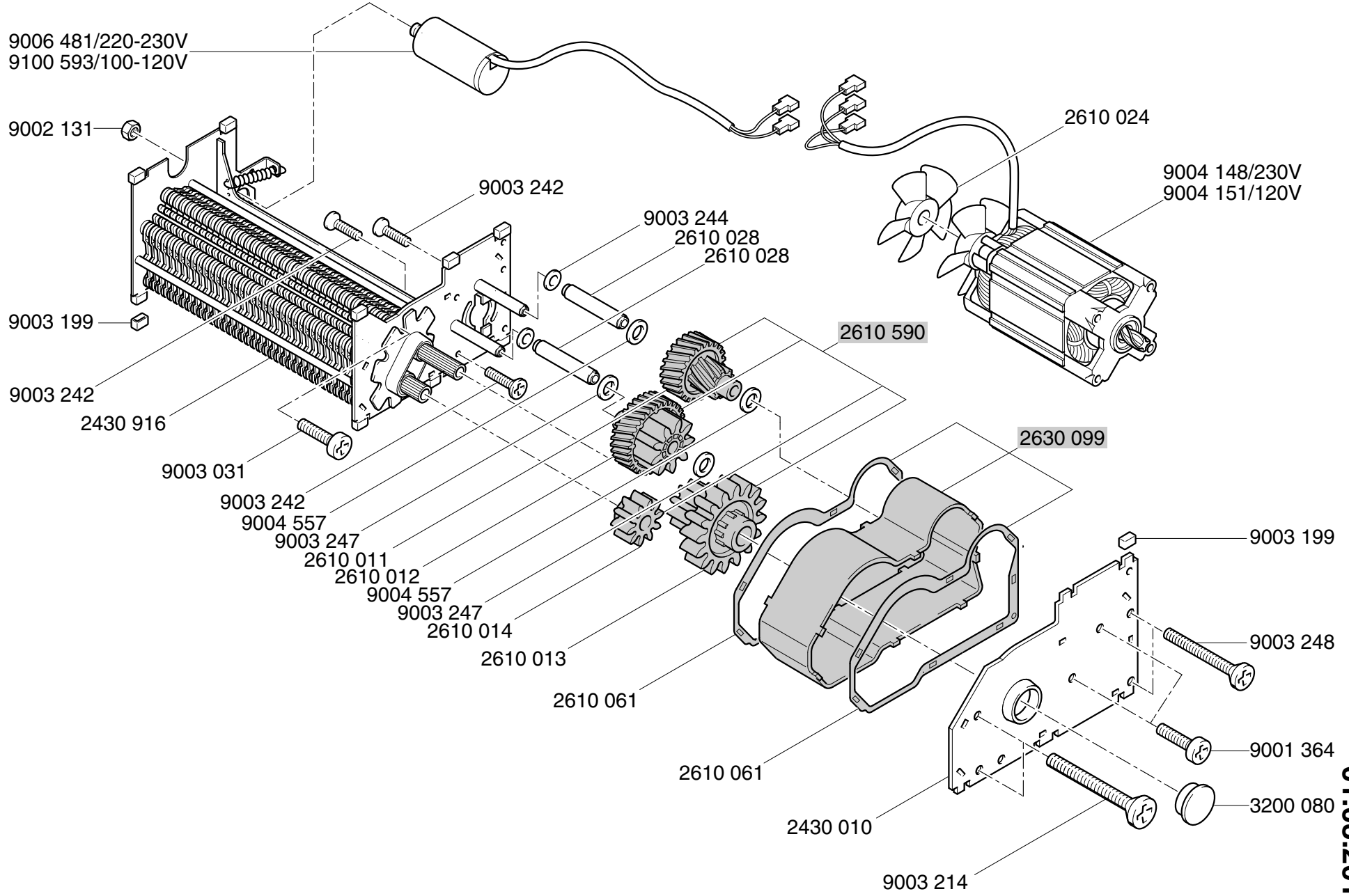
Professional Service – Fast Nationwide Shipping

1-866-455-9900

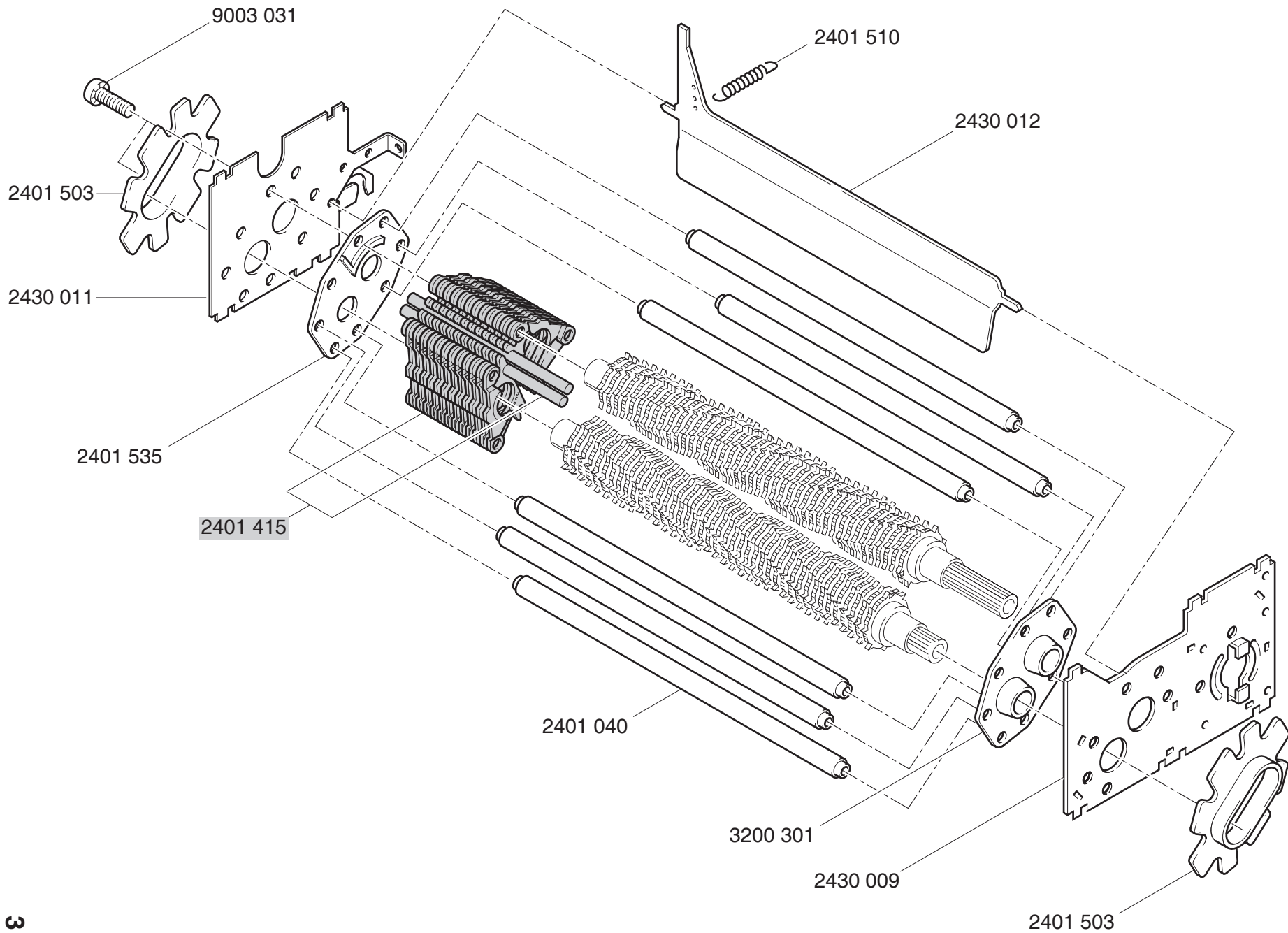
www.OnlineSkyline.com CustomerService@onlineskyline.com

CROSS / CUT 4x40mm
Mod.2465 A
 01.03.2015

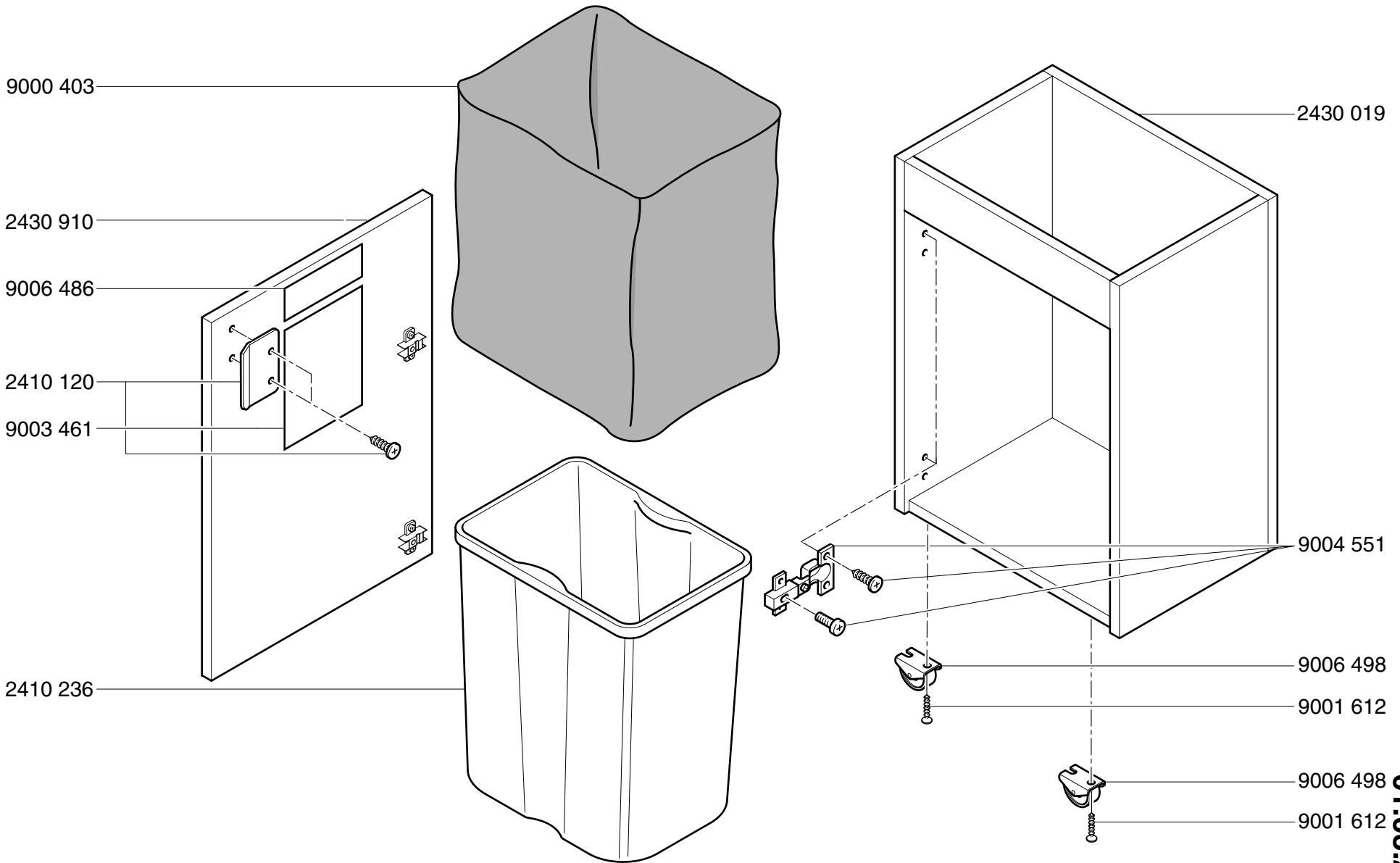




CROSS / CUT
Mod. 2465 A
 4x40mm
 01.03.2015



CROSS / CUT
Mod. 2465 A
 4x40mm
 01.03.2015

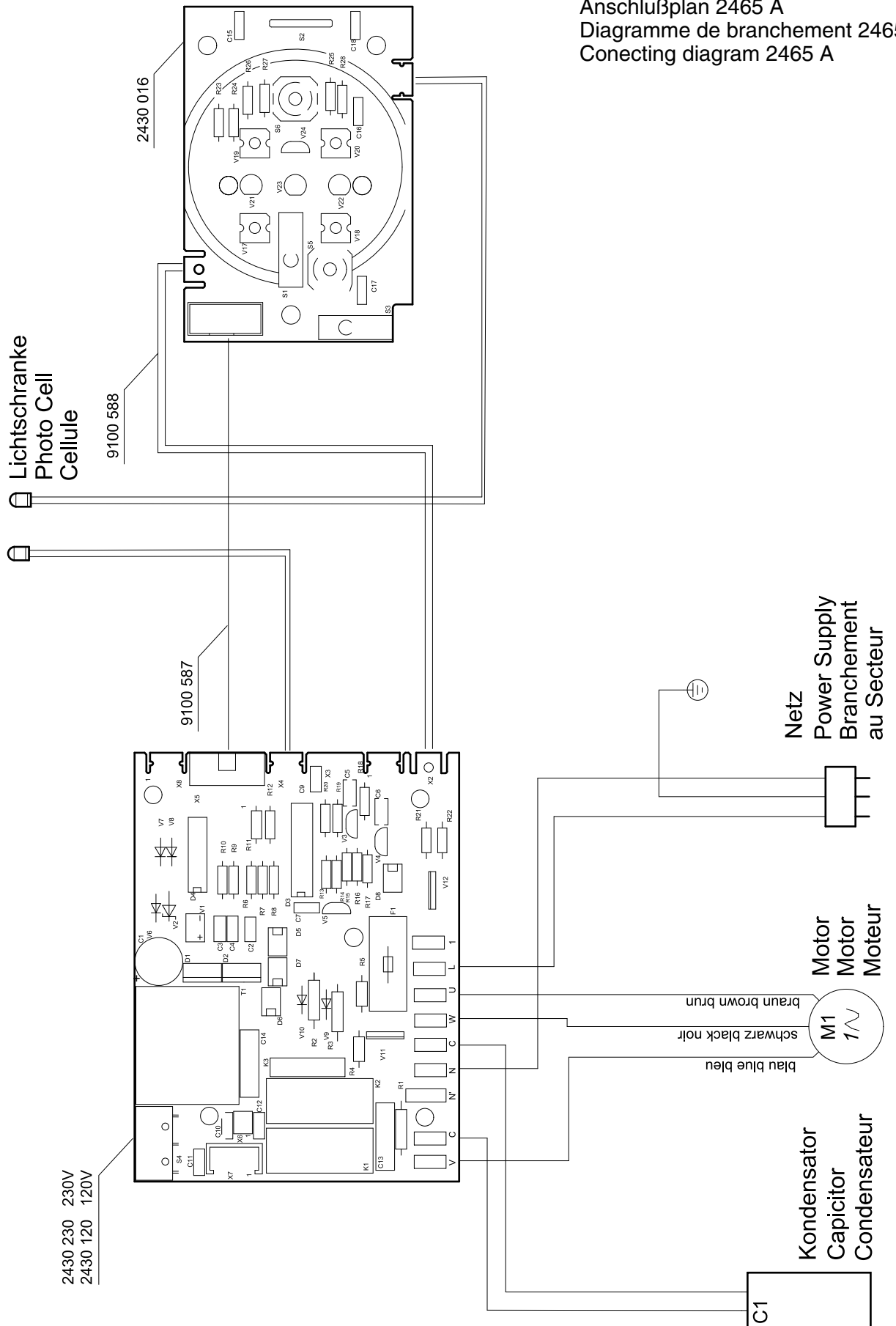


Mod. 2465 A
 CROSS / CUT
 4x40mm
 01.03.2015

CROSS / CUT 4x40mm Mod. 2465 A

01.03.2015

Anschlußplan 2465 A
Diagramme de branchement 2465 A
Conecting diagram 2465 A



2430 230 230V
2430 120 120V

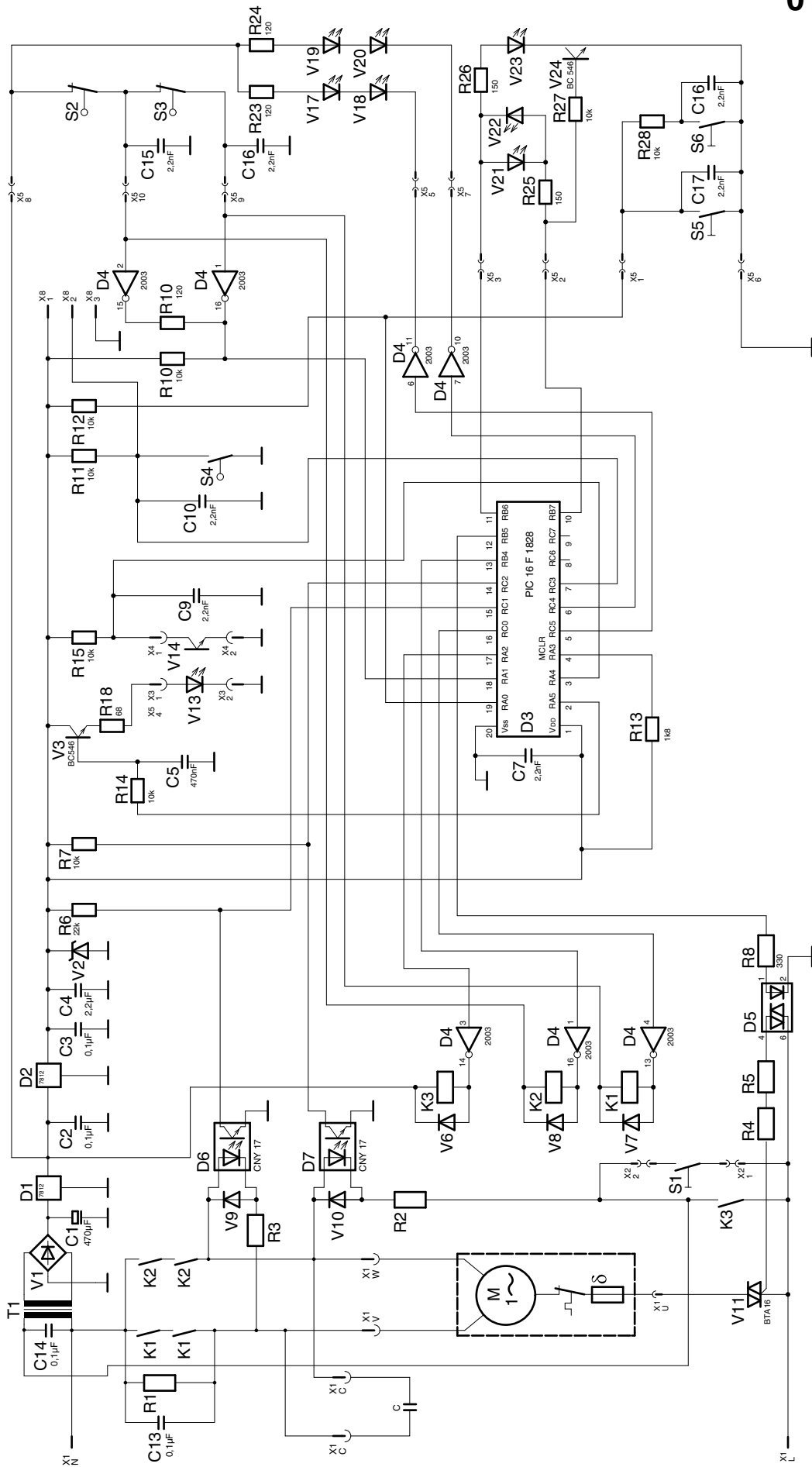
Kondensator
Capacitor
Condensateur

Motor
Motor
Moteur

Netz
Power Supply
Branchement
au Secteur

2430 925

CROSS / CUT 4x40mm
Mod. 2465 A
 01.03.2015



Stromlaufplan 2465 A
 schema de circuit électrique 2465 A
 wiring diagram 2465 A