



# **Skyline**

**Book Binding Machines & Supplies**

Sales • Service • Repair

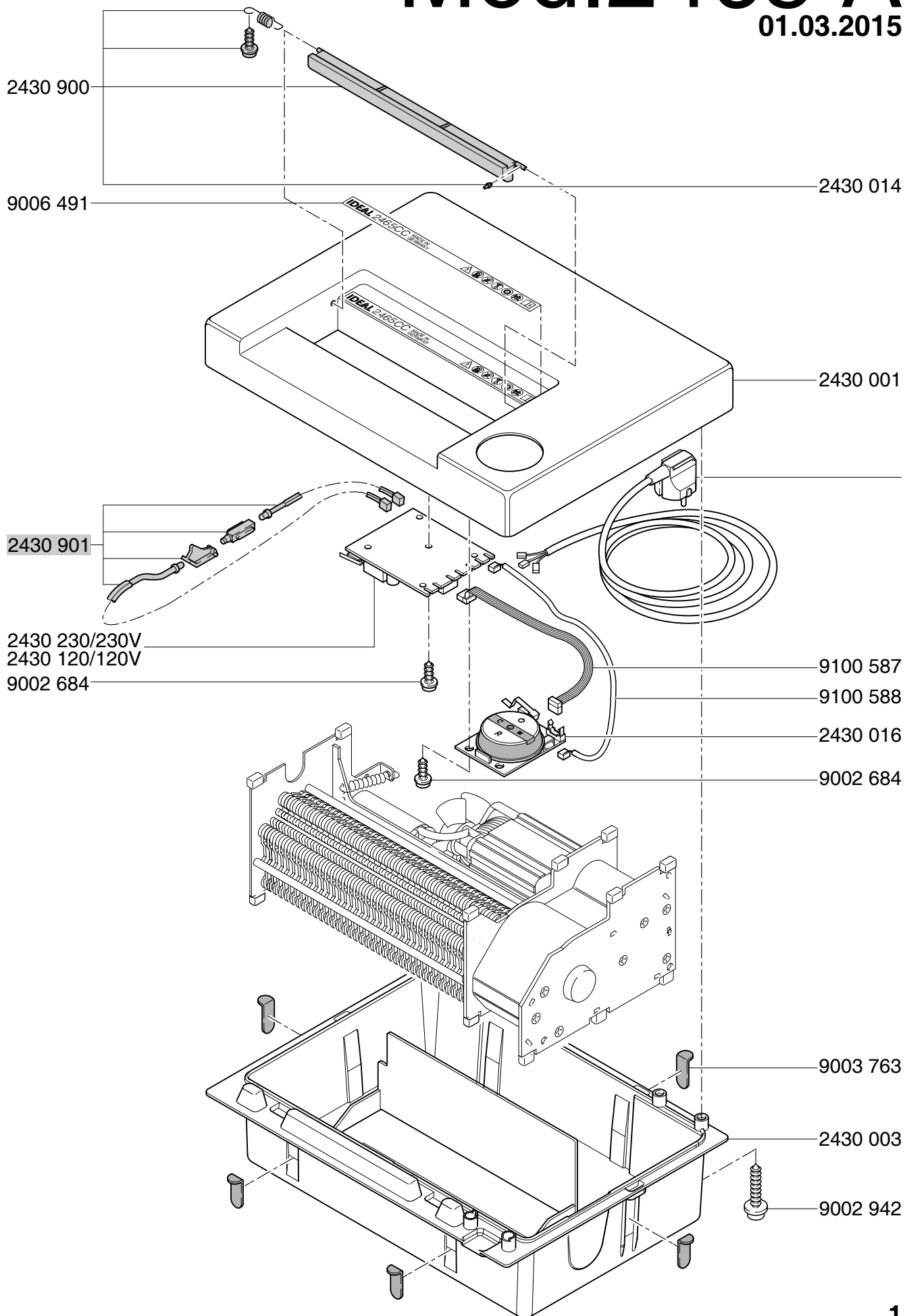
Professional Service – Fast Nationwide Shipping

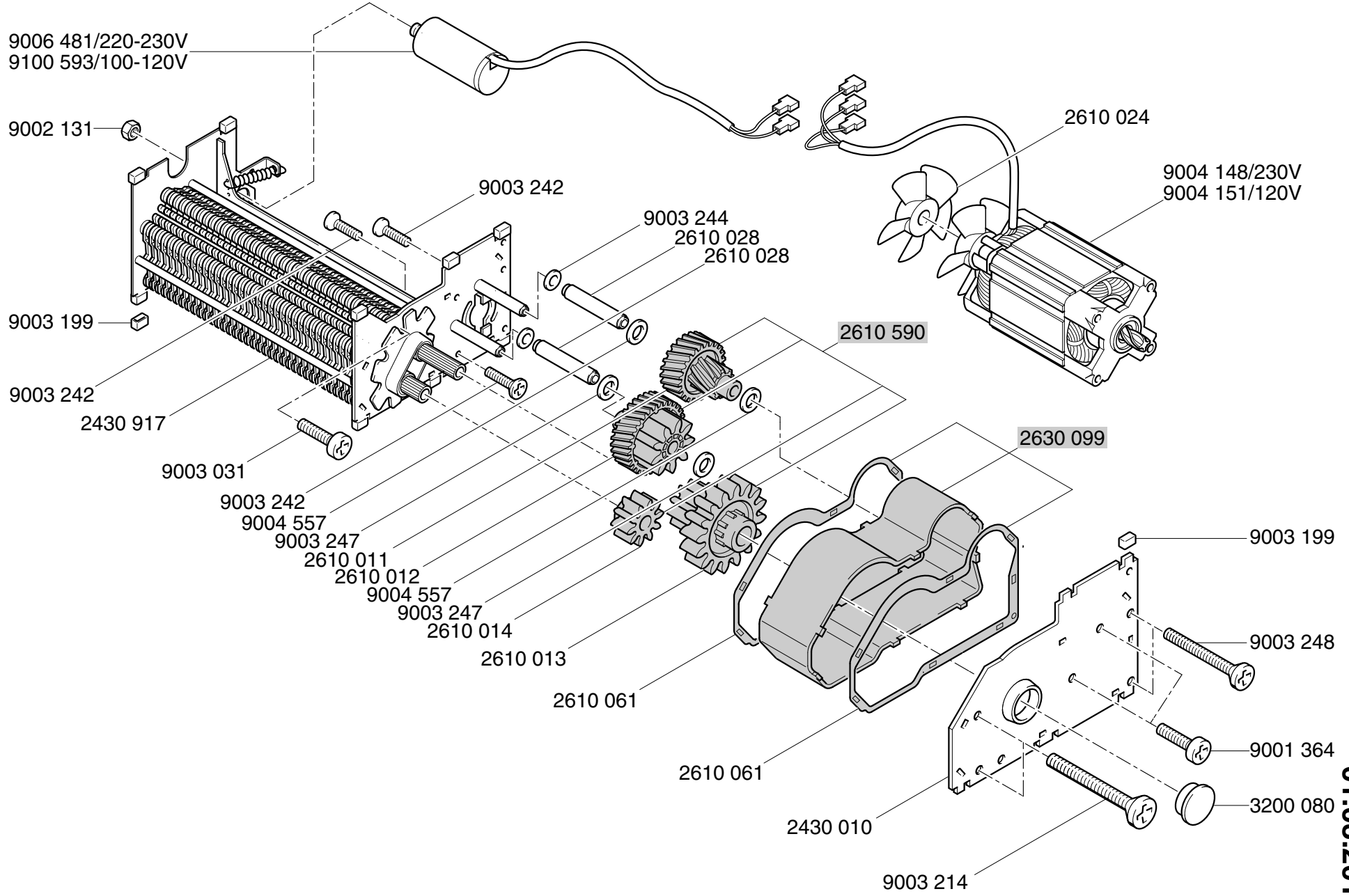
1-866-455-9900

[www.OnlineSkyline.com](http://www.OnlineSkyline.com)   [CustomerService@onlineskyline.com](mailto:CustomerService@onlineskyline.com)

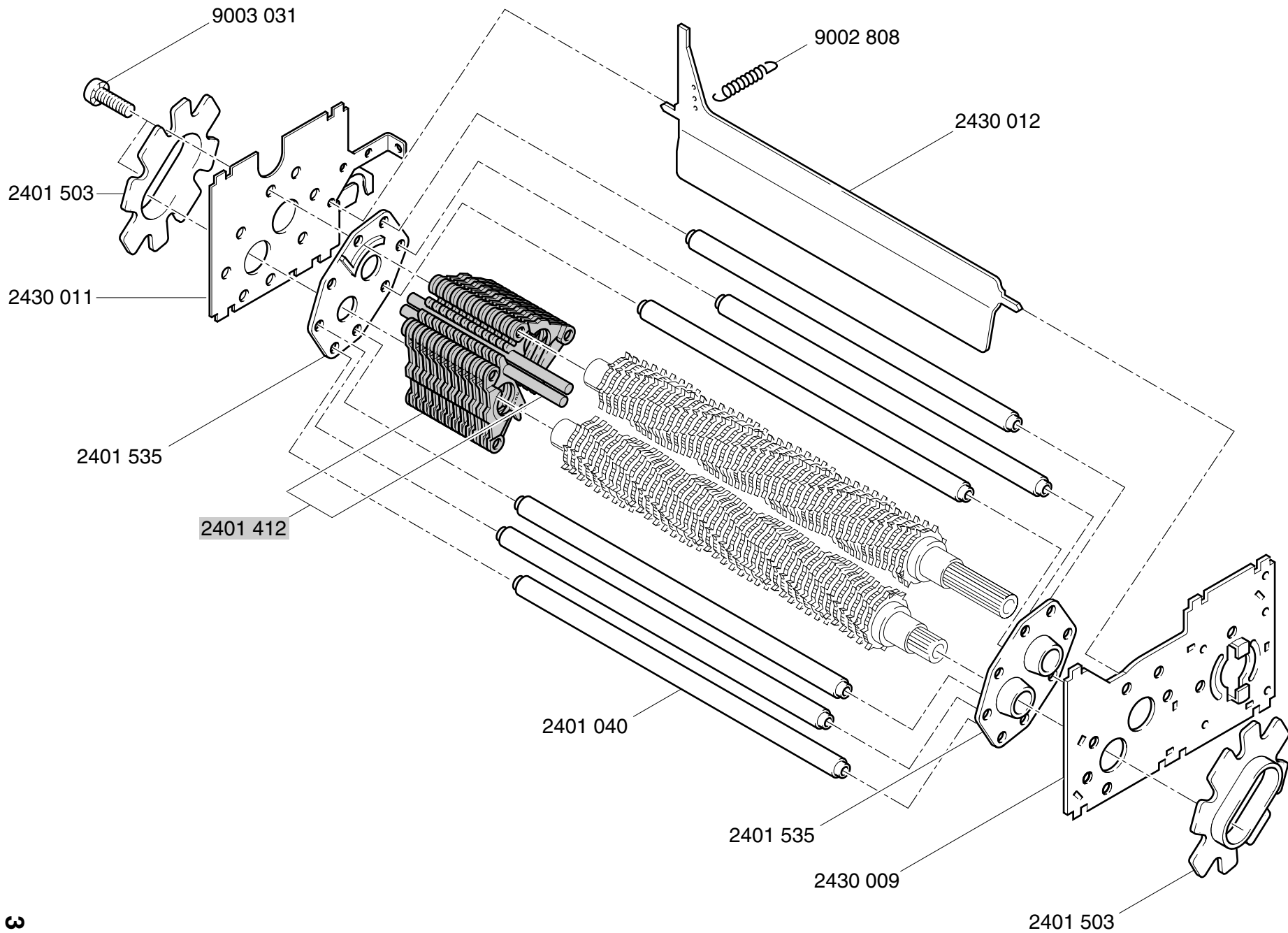
CROSS / CUT 2x15mm  
**Mod.2465 A**

01.03.2015

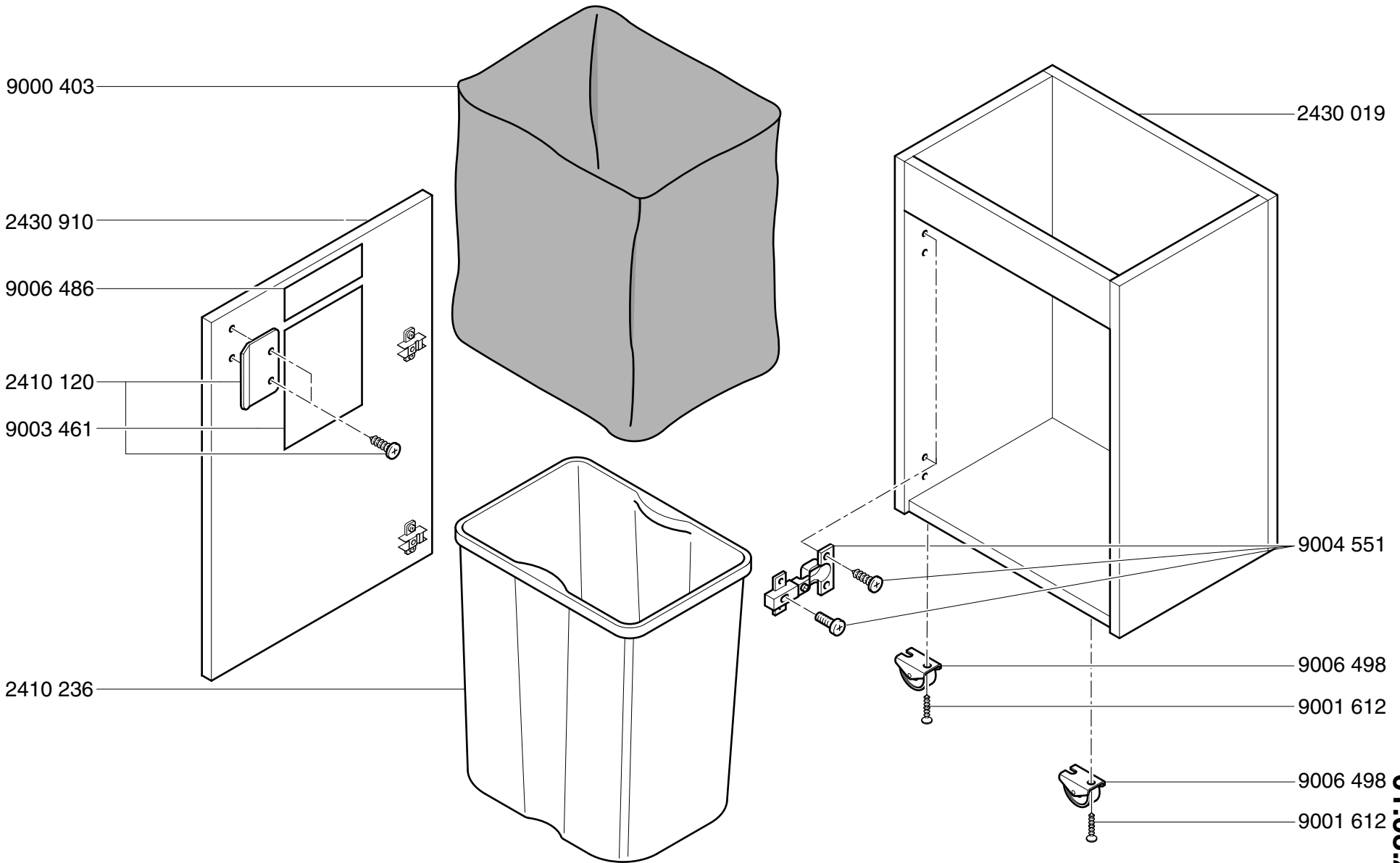




**Mod. 2465 A**  
 CROSS / CUT  
 2x15mm  
 01.03.2015



CROSS / CUT  
**Mod. 2465 A**  
 2x15mm  
 01.03.2015

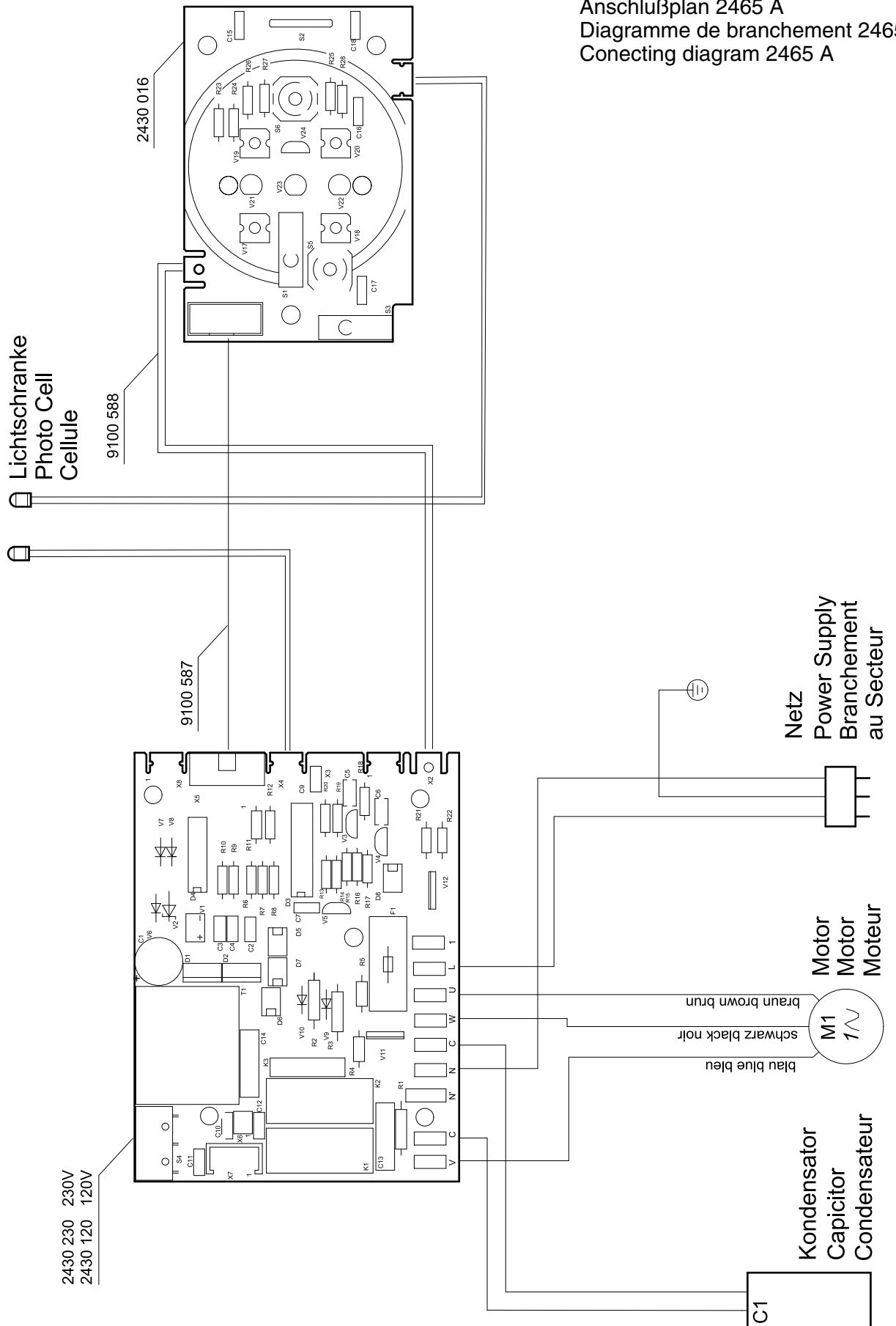


**Mod. 2465 A**  
 CROSS / CUT  
 2x15mm  
 01.03.2015

# CROSS / CUT 2x15mm Mod. 2465 A

01.03.2015

Anschlußplan 2465 A  
Diagramme de branchement 2465 A  
Conecting diagram 2465 A



2430 230 230V  
2430 120 120V

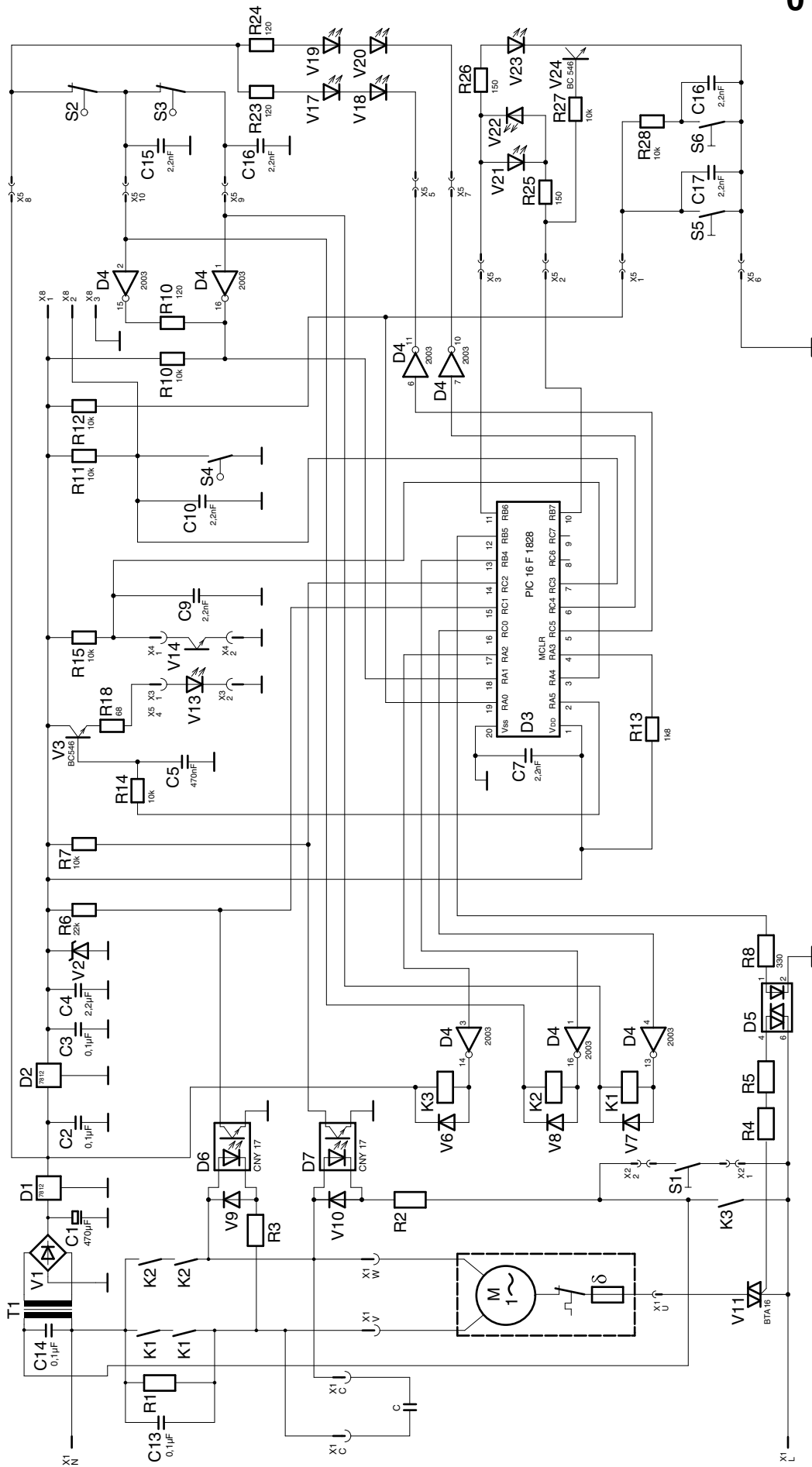
Kondensator  
Capacitor  
Condensateur

Motor  
Motor  
Moteur

Netz  
Power Supply  
Branchement  
au Secteur

2430 925

CROSS / CUT 2x15mm  
**Mod. 2465 A**  
 01.03.2015



Stromlaufplan 2465 A  
 schema de circuit électrique 2465 A  
 wiring diagram 2465 A