



# **Skyline**

**Book Binding Machines & Supplies**

Sales • Service • Repair

Professional Service – Fast Nationwide Shipping

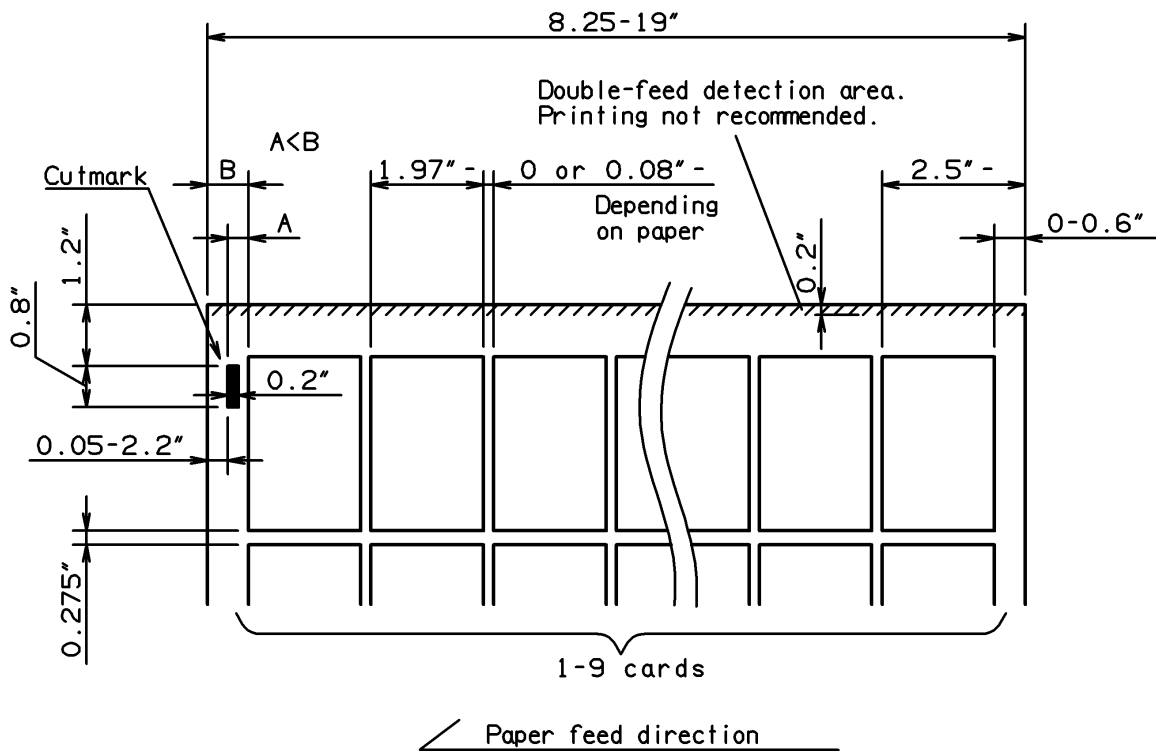
1-866-455-9900

[www.OnlineSkyline.com](http://www.OnlineSkyline.com)   [CustomerService@onlineskyline.com](mailto:CustomerService@onlineskyline.com)

# *AeroCut nano*

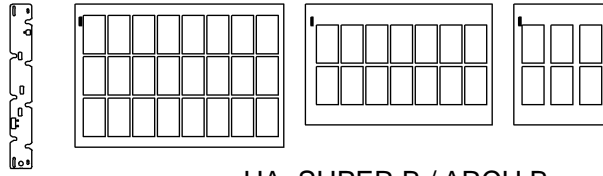
**TEMPLATE**  
**[inch]**

**GENERAL TEMPLATE**



# Contents

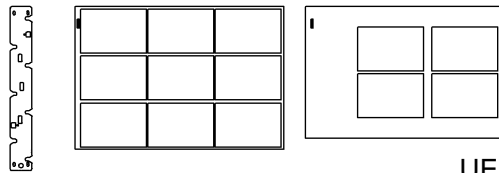
## InstaSet bar **UA/UB**



UA: SUPER B / ARCH B → Business Card 3.5"  Page 3

UB: LEDGER / LETTER → Business Card 3.5"  Page 4

## InstaSet bar **UE/UF**



UE: SUPER B → Postcard 4"  Page 5

DU: ARCH B → Postcard 4"  Page 6

## **BTO** InstaSet bar

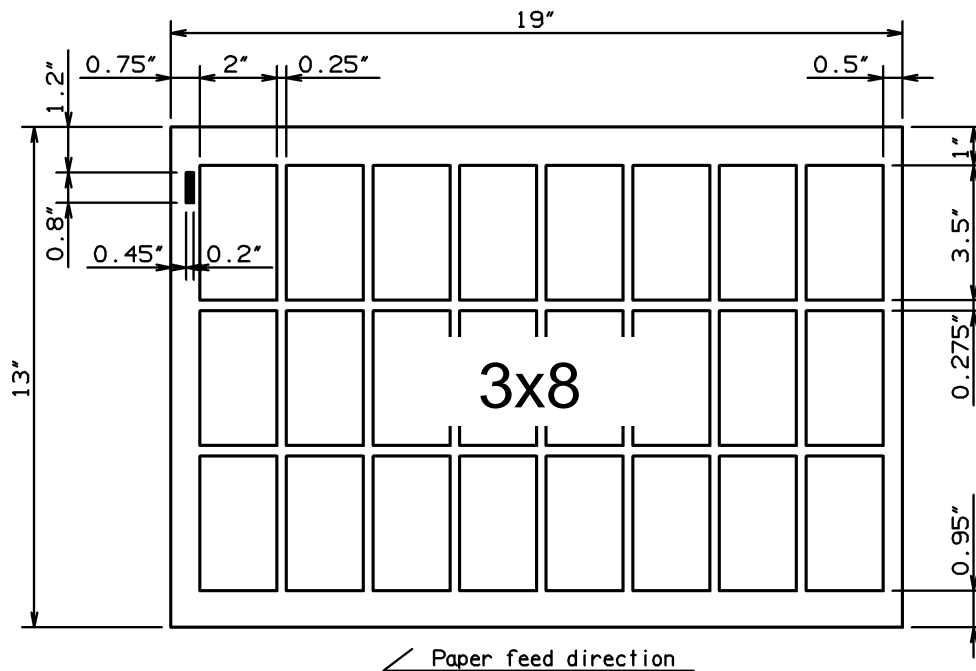


Build to Order bar  Page 7

**InstaSet bar UA Business Card 3.5"**

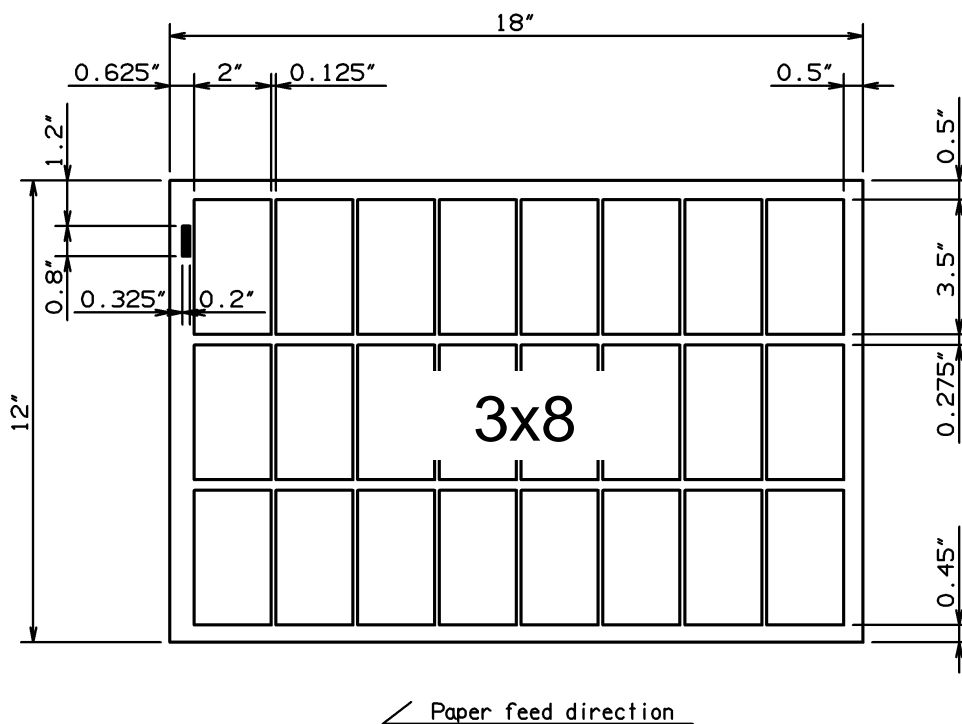
**SUPER B** → Business Card 3.5"x2"

PRESET > SUPER B > BUSINESS CARD 2"



**ARCH B** → Business Card 3.5"x2"

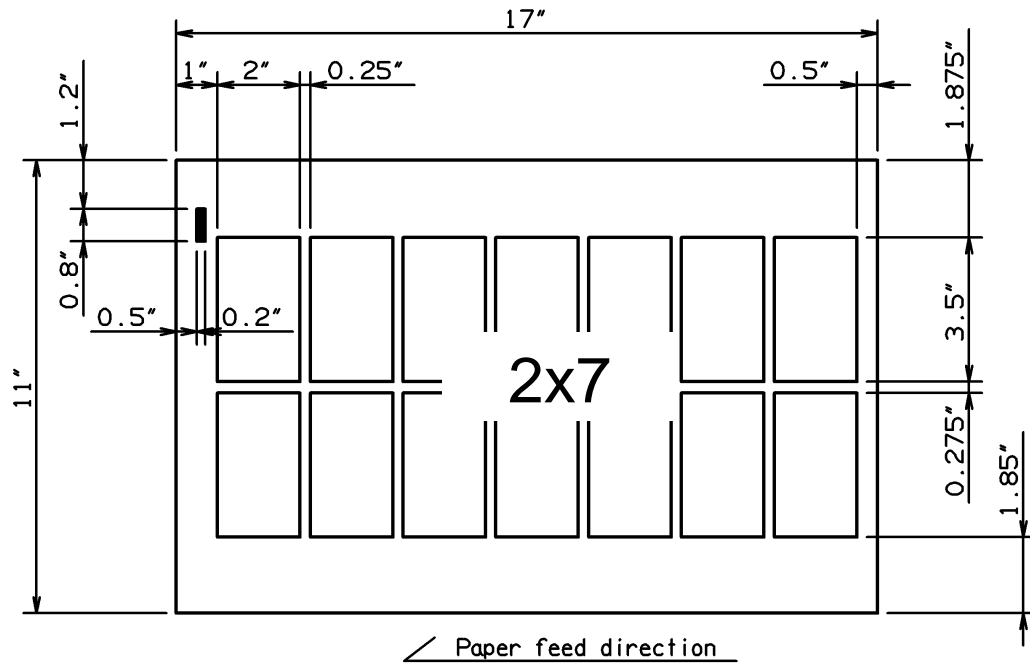
PRESET > ARCH B > BUSINESS CARD 2"



**InstaSet bar UB Business Card 3.5"**

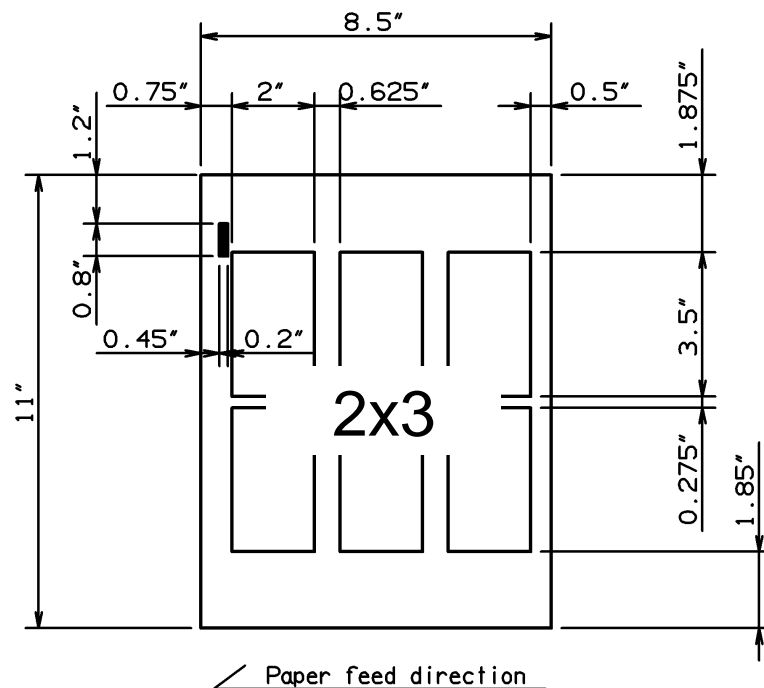
**LEDGER (TABLOID) → Business Card 3.5"x2"**

PRESET > LEDGER > BUSINESS CARD 2"



**LETTER → Business Card 3.5"x2"**

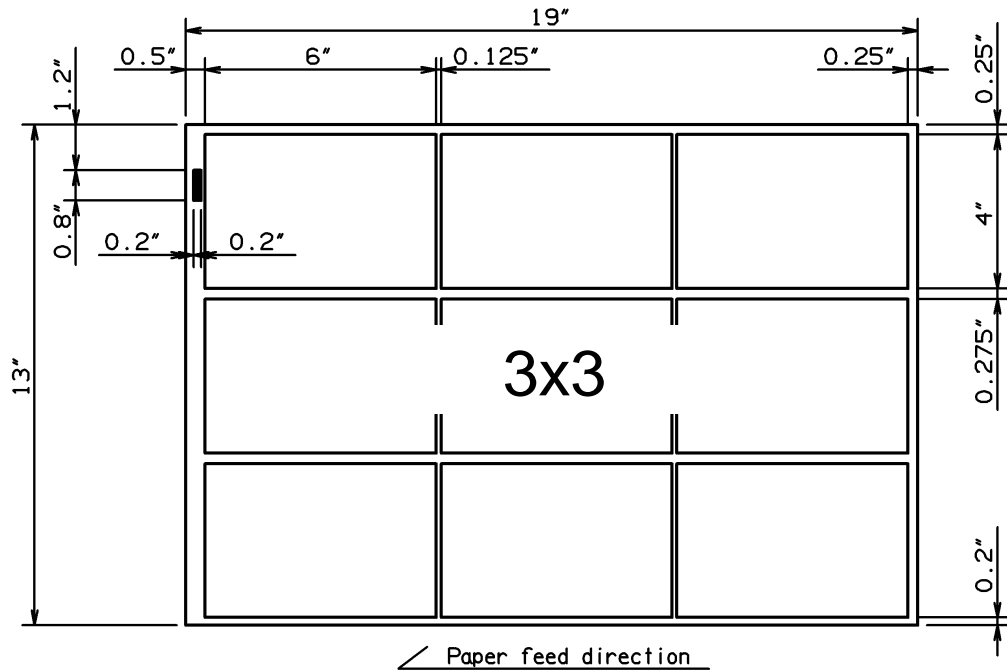
PRESET > LETTER > BUSINESS CARD 2"



**InstaSet bar UE Postcard 4"**

**SUPER B → Postcard 4"x6"**

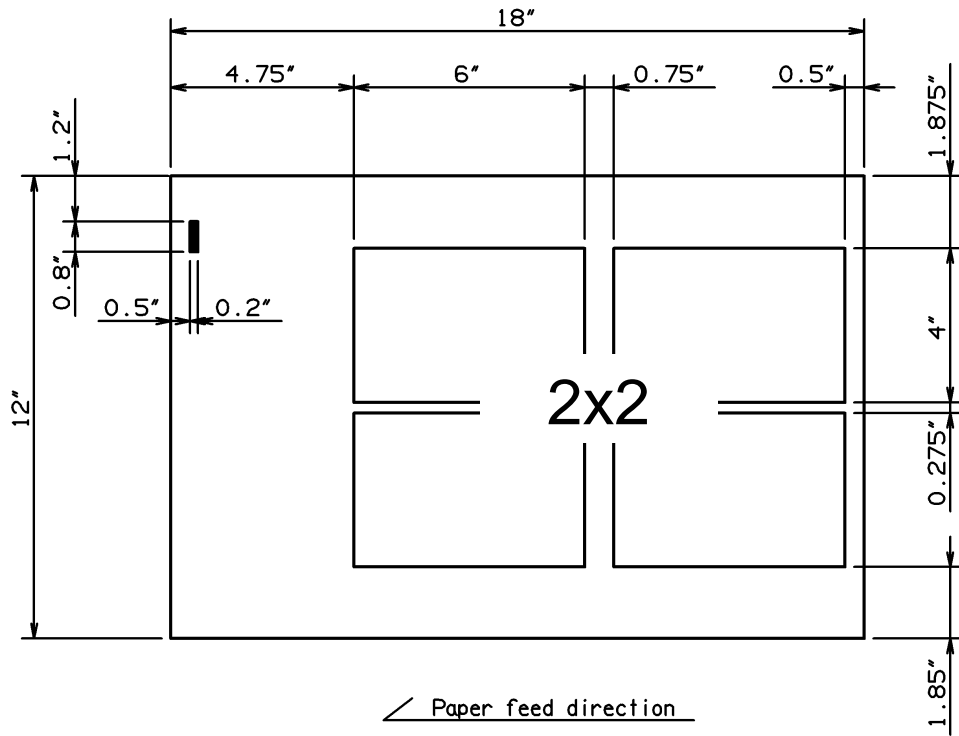
PRESET > SUPER B > POSTCARD



**InstaSet bar UF Postcard 4"**

**ARCH B → Postcard 4"x6"**

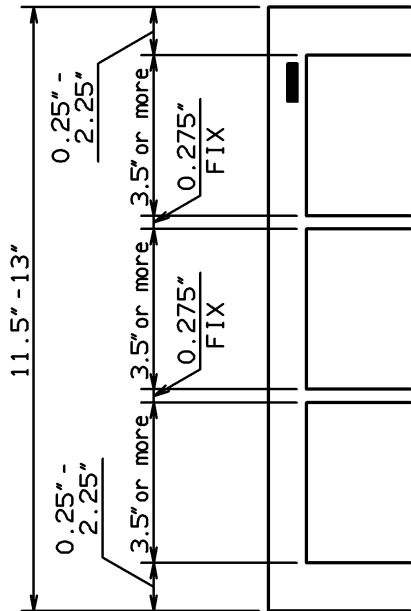
PRESET > ARCH B > POSTCARD



# BTO TEMPLATE

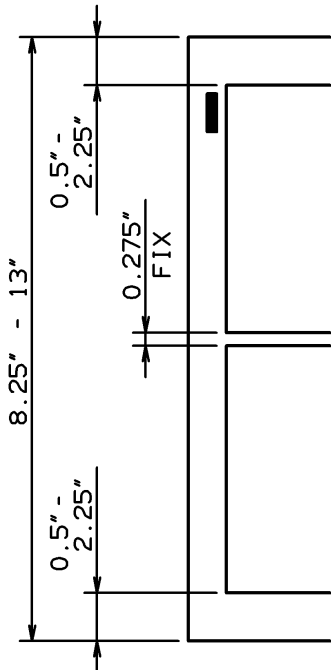
Maximum input paper size (Depth direction x feed direction)	13" x 19"
Minimum input paper size (Depth direction x feed direction)	8.25" x 8.25"
Minimum output size (Depth direction x feed direction)	3.5" x 2"
Paper weight	32 lbs (Bond) – 130 lbs (Cover stock) (120-350g/m <sup>2</sup> )

### 3 LINES

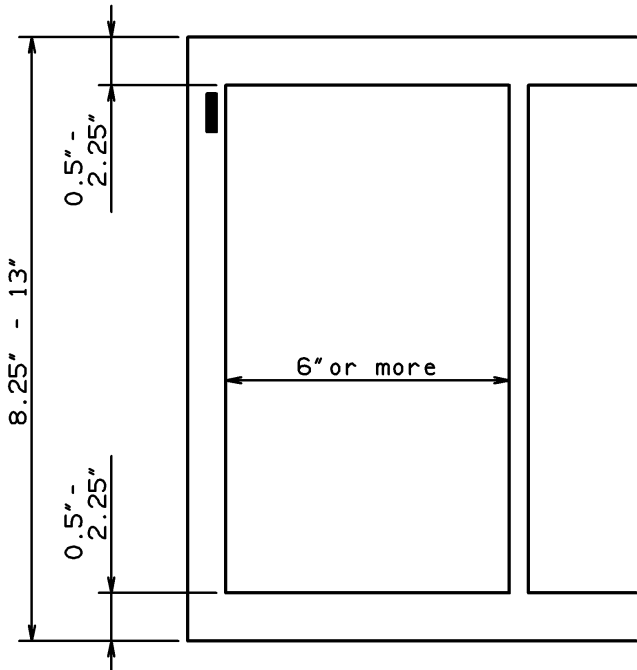


↘ Paper feed direction

### 2 LINES



### 1 LINE



↘ Paper feed direction