

# 8.0 PARTS LIST - MP2000 ELECTRIC PUNCH

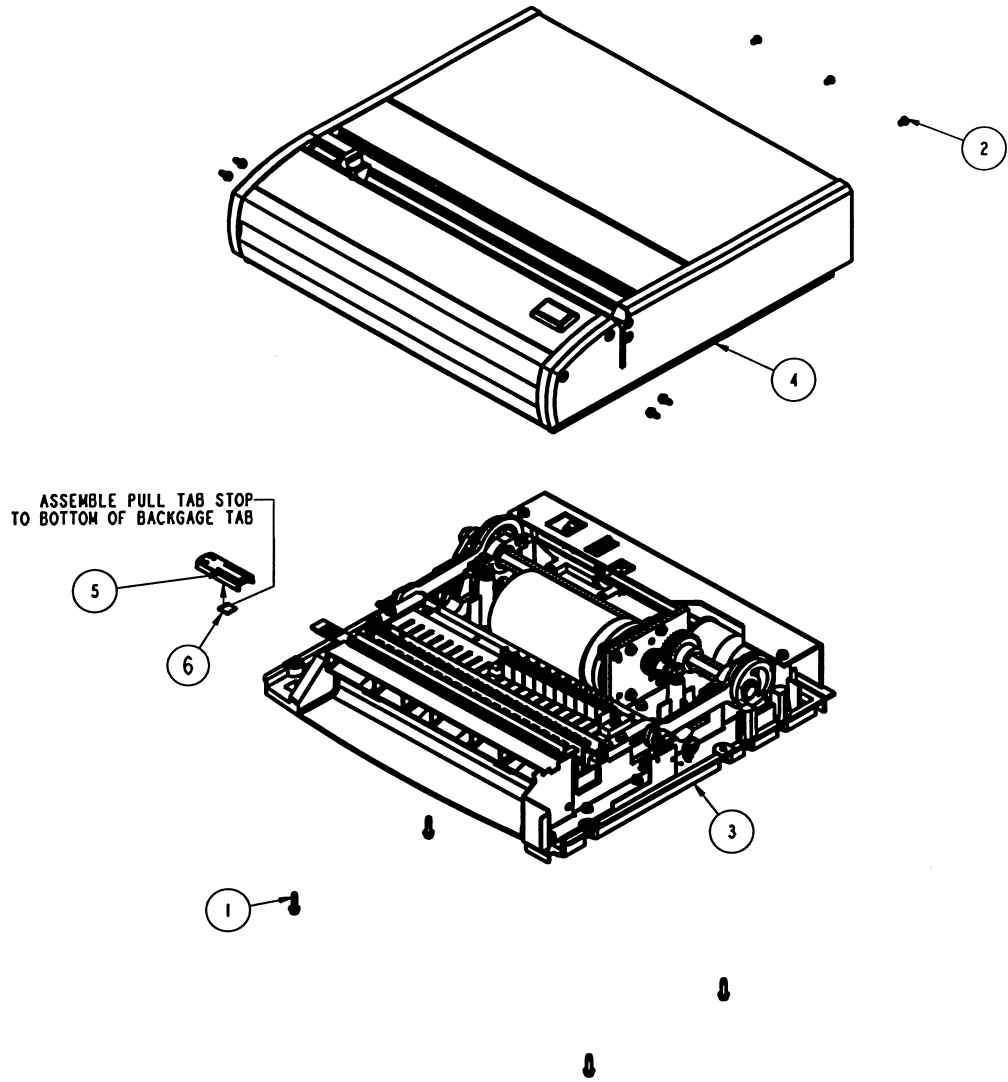


Figure 8-1 - MP2000 Parts – Final Assembly View

## 8.0 PARTS LIST - MP2000 ELECTRIC PUNCH

### 8.1 Final Assembly Parts Listing

| Index | Part Number  | Description   | Qty |
|-------|--------------|---|-----|
| 1     | 1911001      | SCREW, 10-32 x $\frac{3}{4}$ MACHINE CREST CUP SEMS | 4   |
| 2     | 1911109      | SCREW, PAN HEAD SEMS #6-32 x $\frac{1}{4}$          | 3   |
| 3     | See Fig. 8.3 | MAIN ASSEMBLY MP2000                                | 1   |
| 4     | See Fig. 8.2 | HOUSING ASSEMBLY MP2000                             | 1   |
| 5     | 7706108      | PULL TAB, BACKGAGE, <i>PB ONLY</i>                  | 1   |
| 6     | 7706109      | STOP. BACKGAGE TAB, <i>PB ONLY</i>                  | 1   |

8.0 PARTS LIST - MP2000 ELECTRIC PUNCH

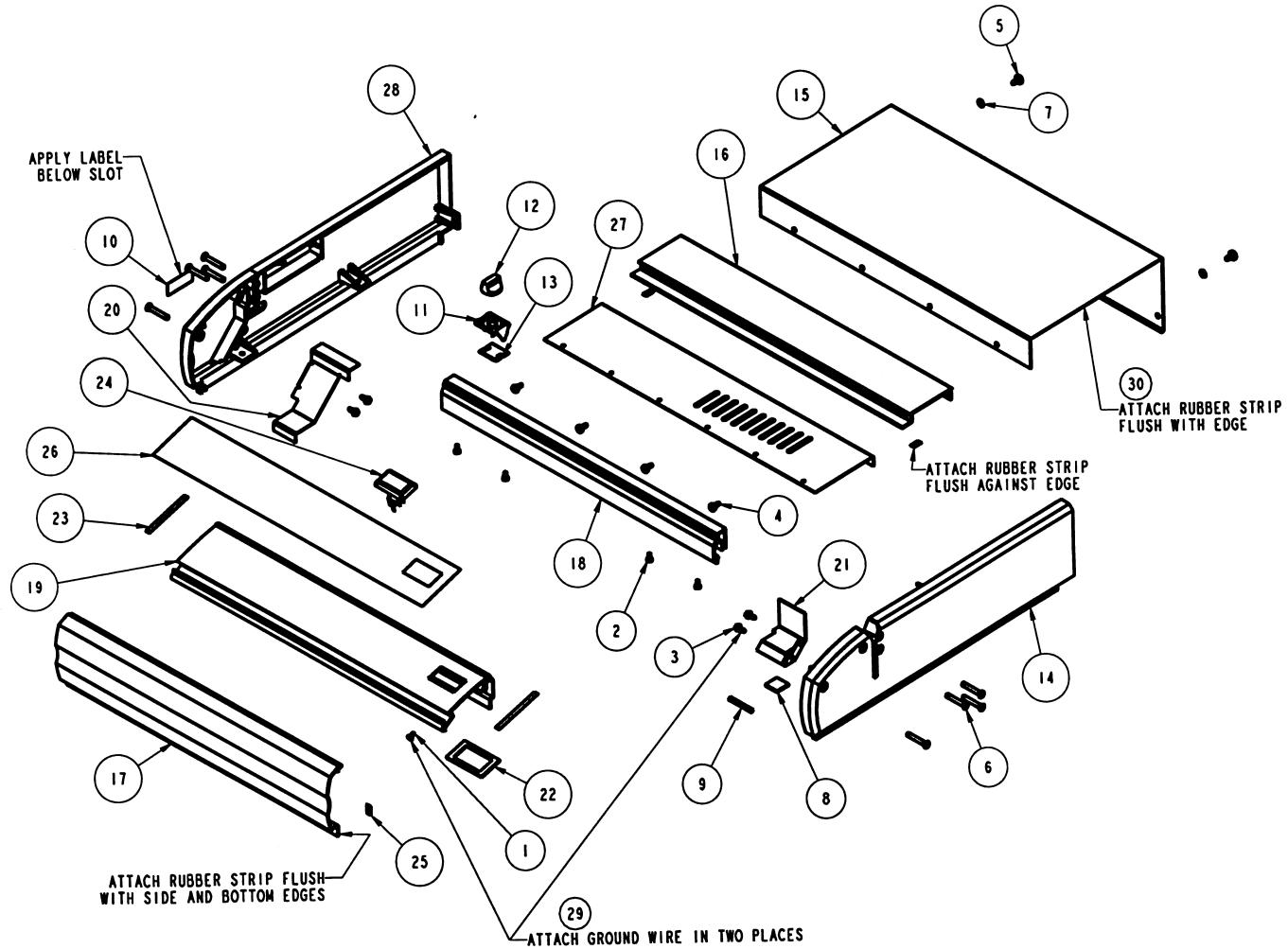
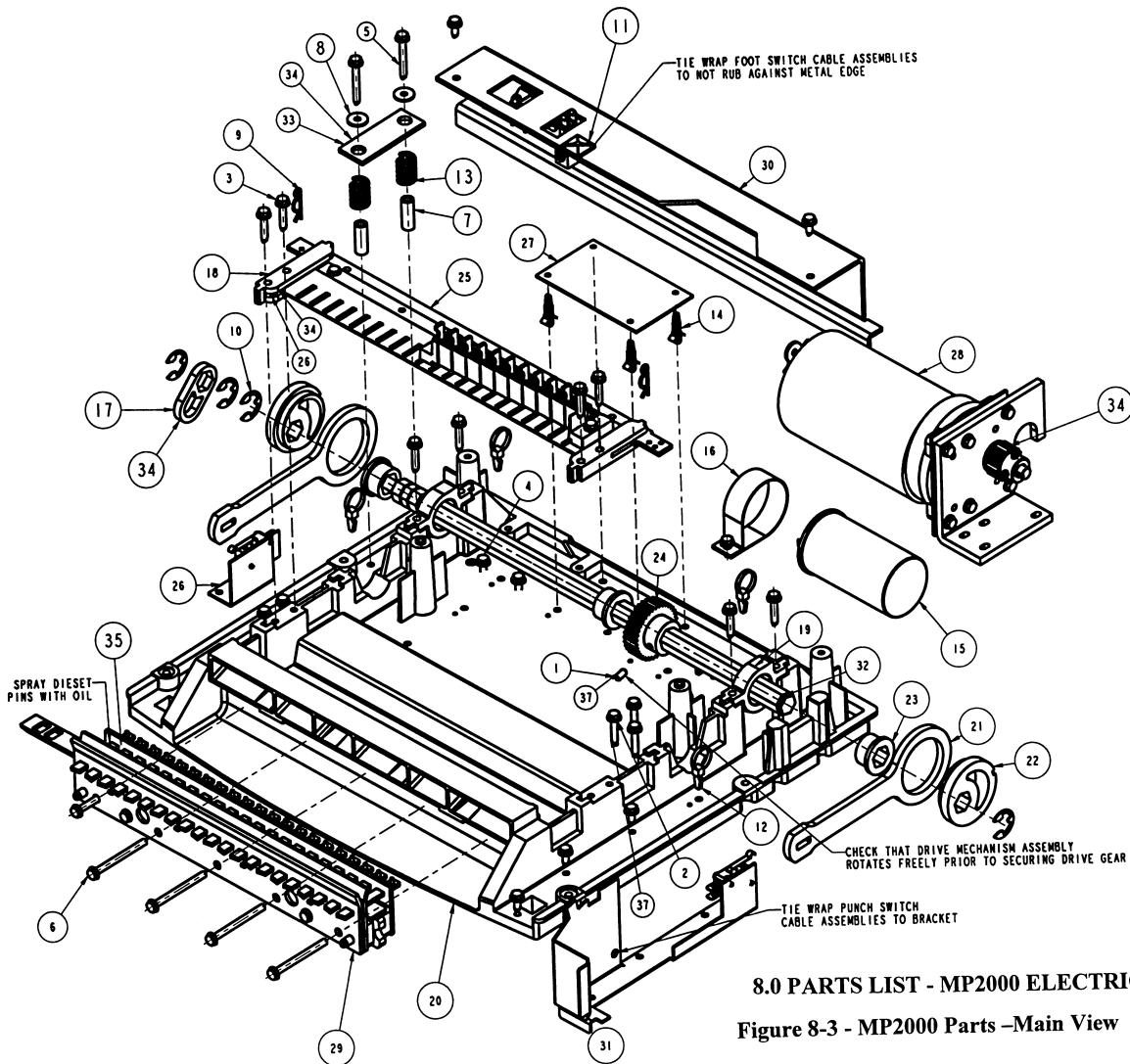


Figure 8-2 - MP2000 Parts - Housing Assembly View

## 8.0 PARTS LIST - MP2000 ELECTRIC PUNCH

### 8.2 Parts Listing, Housing Assembly

| Index | Part Number | Description                                  | Qty |
|-------|-------------|--|-----|
| 1     | 1901202     | SCREW, 6-18 x 1/4" PHILL PAN HD THD ROLLG    | 1   |
| 2     | 1901204     | SCREW, 6-18 x 5/16" PHILL PAN HD THD ROLLG   | 4   |
| 3     | 1907201     | SCREW, 8-32 x 3/8 SLOTTED HEX WASHER HD TAPG | 4   |
| 4     | 1907321     | SCREW, 8-32 x 3/8 SL TD HEX EXT L/W SEMS     | 4   |
| 5     | 1907809     | SCREW, 10-32 x 3/8 PHIL PAN HD TC TYPE 23    | 2   |
| 6     | 1908802     | SCREW, 10-32 x 1.25 SHCS SELF TAP            | 8   |
| 7     | 1925803     | WASHER, #10 STEEL INTERNAL LOCK              | 2   |
| 8     | 1931049     | ADHESIVE CLAMP, WIRE TIE                     | 1   |
| 9     | 1964001     | GROMMET                                      | 1   |
| 10    | 7703677     | LABEL, BACKGAGE (ONLY USED ON PB VERSION)    | 1   |
| 11    | 7704339     | EDGE GUIDE                                   | 1   |
| 12    | 7704340     | KNOB, EDGE GUIDE                             | 1   |
| 13    | 7704348     | PLATE, EDGE GUIDE                            | 1   |
| 14    | 7706008     | END CAP, RIGHT MP2000                        | 1   |
| 15    | 7706009     | HOUSING, MP2000                              | 1   |
| 16    | 7706014     | COVER, PULL PIN                              | 1   |
| 17    | 7706015     | COVER, CHIP TRAY                             | 1   |
| 18    | 7706016     | THROAT, BACK                                 | 1   |
| 19    | 7706017     | THROAT, FRONT                                | 1   |
| 20    | 7706018     | SHIELD, FRONT LEFT                           | 1   |
| 21    | 7706019     | SHIELD, THROAT                               | 1   |
| 22    | 7706036     | SWITCH SPACER, MP2000                        | 1   |
| 23    | 7706037     | LABEL, EXTRUSION, MP2000                     | 2   |
| 24    | 7706038     | SWITCH, MP2000 115V                          | 1   |
| 24    | 7706035     | SWITCH, MP2000 230V                          | 1   |
| 25    | 7706067     | RUBBER STRIP, DOOR                           | 4   |
| 26    | 7706105     | LABEL, LOGO, MP2000-PB                       | 1   |
| 26    | 7706005     | LABEL, LOGO, MP2000-C4                       | 1   |
| 26    | 7706054     | LABEL, LOGO, MP2000-W3 DOMESTIC              | 1   |
| 26    | 7706055     | LABEL, LOGO, MP2000-W3 INTERNATIONAL         | 1   |
| 27    | 7706106     | SHIELD, PULL PIN – MP2000-PB                 | 1   |
| 27    | 7706006     | SHIELD, PULL PIN – MP2000-C4                 | 1   |
| 27    | 7706056     | SHIELD, PULL PIN – MP2000-W3                 | 1   |
| 28    | 7706107     | END CAP, LEFT MP2000 PB                      | 1   |
| 28    | 7706007     | END CAP, LEFT MP2000 C4, W3                  | 1   |
| 29    | 7706048     | CABLE ASSEMBLY                               | 1   |
| 30    | 7706068     | RUBBER STRIP, HSG.                           | 2   |



**8.0 PARTS LIST - MP2000 ELECTRIC PUNCH**

**Figure 8-3 - MP2000 Parts -Main View**

## 8.0 PARTS LIST - MP2000 ELECTRIC PUNCH

### 8.3 Parts Listing, Main View

| Index | Part Number  | Description                              | Qty  |
|-------|--------------|--|------|
| 1     | 1900026      | SCREW, 10-32 x 3/8 SOC HEX SET           | 1    |
| 2     | 1907102      | SCREW, 10-32 x 11/16HX WSH HD TAP        | 4    |
| 3     | 1907103      | SCREW, 10-32 x 11/16HX WSH HD TAP        | 8    |
| 4     | 1907105      | SCREW, 10-32 x 11/16HX WSH HD TAP        | 10   |
| 5     | 1907107      | SCREW, 10-32 x 11/16HX WSH HD TAP        | 2    |
| 6     | 1907411      | SCREW, 10-32 x 11/16HX WSH HD TAP        | 5    |
| 7     | 1924811      | SPACER                                   | 2    |
| 8     | 1925044      | WASHER, FLAT, METAL                      | 2    |
| 9     | 1930251      | CLIP, HAIRPIN                            | 2    |
| 10    | 1930554      | RETAINING RING                           | 4    |
| 11    | 1931049      | ADHESIVE CLAMP, WIRE TIE                 | 1    |
| 12    | 1932123      | WIRE TIE                                 | 4    |
| 13    | 1935210      | SPRING COMP .600 OD x .88 LG             | 2    |
| 14    | 1951003      | PCB SUPPORT                              | 4    |
| 15    | 6205043      | CAPACITOR, MOTOR (for 230V model)        | 1    |
| 15    | 6205040      | CAPACITOR, MOTOR 40mf (for 115V model)   | 1    |
| 16    | 6205042      | CAPACITOR BRACKET, 50mm (for 115V model) | 1    |
| 17    | 7301217      | CAM, RELEASE                             | 1    |
| 18    | 7703540      | SLIDE                                    | 2    |
| 19    | 7703541      | BEARING CAP                              | 2    |
| 20    | -REF-        | BASE, PUNCH                              | 1    |
| 21    | 7703544      | CONNECTING LINK                          | 2    |
| 22    | 7703547      | ECCENTRIC                                | 2    |
| 23    | 7703548      | BEARING                                  | 3    |
| 24    | 7703631      | DRIVE GEAR 35T                           | 1    |
| 25    | See Fig. 8.8 | PRESSURE BAR                             | 1    |
| 26    | See Fig 8.6  | REVERSE BRACKET ASSEMBLY                 | 1    |
| 27    | 7703667      | PCB ASSEMBLY 115V                        | 1    |
| 27    | 7703674      | PCB ASSEMBLY 230V                        | 1    |
| 28    | See Fig. 8.4 | MOTOR ASSEMBLY                           | 1    |
| 29    | 7703684      | DIE SET ASSEMBLY PB                      | 1    |
| 29    | 7703762      | DIE SET ASSEMBLY, C4 DOMESTIC            | 1    |
| 29    | 7703763      | DIE SET ASSEMBLY, C4 INTERNATIONAL       | 1    |
| 29    | 7703873      | DIE SET ASSEMBLY, W3 DOMESTIC            | 1    |
| 29    | 7703773      | DIE SET ASSEMBLY, W3 INTERNATIONAL       | 1    |
| 30    | See Fig. 8.7 | REAR BRACKET ASSEMBLY                    | 1    |
| 31    | See Fig. 8.5 | HOME SWITCH BRACKET ASSEMBLY             | 1    |
| 32    | 7706057      | SHAFT, DRIVE                             | 1    |
| 33    | 7706065      | BRACKET, STOP                            | 1    |
| 34    | 1961503      | LUBRIPLATE NO. 130-AA                    | .001 |
| 35    | 1961502      | SPRAY LUBRICANT                          | .001 |
| 36    | 7706025      | WIRE KIT                                 | 1    |
| 37    | 1960512      | LOCTITE                                  | .01  |
| 38    | 7706049      | CABLE ASSEMBLY, PUNCH SWITCH 115V        | 2    |



## 8.0 PARTS LIST - MP2000 ELECTRIC PUNCH

### 8.4 Parts Listing, Motor Assembly

| Index | Part Number | Description                           | Qty |
|-------|-------------|---------------------------------------|-----|
| 1     | 1852815     | KEY                                   | 1   |
| 2     | 1900026     | SCREW, 10-32 x 3/8 SOC HEX SET        | 2   |
| 3     | 1907404     | SCREW, 10-32 x 3/4 IND HEX SLOT FL HD | 6   |
| 4     | 7703682     | BRACKET, MOTOR                        | 1   |
| 5     | 7703699     | PINION GEAR 20 T                      | 1   |
| 6     | 7706058     | MOTOR, 115V, MP2000                   | 1   |
| 6     | 7706059     | MOTOR, 230V, MP2000                   | 1   |
| 7     | 7706066     | ADAPTER PLATE                         | 1   |
| 8     | 1960509     | LOCTITE 243                           | .01 |



## 8.0 PARTS LIST - MP2000 ELECTRIC PUNCH

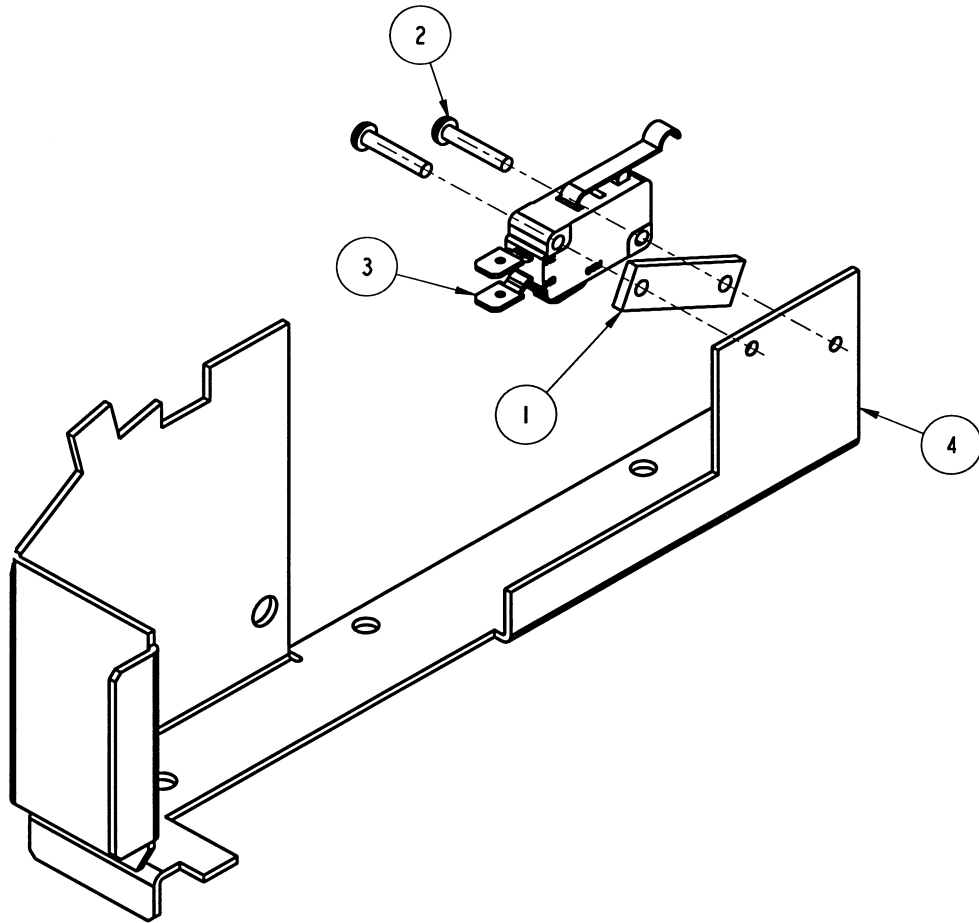


Figure 8-5 - MP2000 Parts – Home Switch Bracket View

## 8.0 PARTS LIST - MP2000 ELECTRIC PUNCH

### 8.5 Parts Listing, Home Switch Bracket Assembly

| <b>Index</b> | <b>Part Number</b> | <b>Description</b>           | <b>Qty</b> |
|--------------|--------------------|------------------------------|------------|
| 1            | 1118972            | RELEASE SWITCH SPACER        | 1          |
| 2            | 1902834            | SCREW, 4-40 x 5/8 SOC PAN HD | 2          |
| 3            | 7703640            | MICRO SWITCH                 | 1          |
| 4            | 7706024            | BRACKET, HOME SWITCH         | 1          |

## 8.0 PARTS LIST - MP2000 ELECTRIC PUNCH

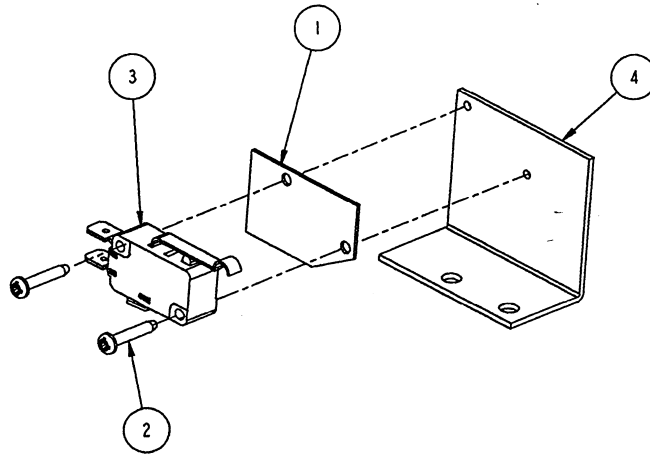


Figure 8-6 - MP2000 Parts – Reverse Switch Bracket View

## 8.0 PARTS LIST - MP2000 ELECTRIC PUNCH

### 8.6 Parts Listing, Reverse Switch Bracket Assembly

| Index | Part Number | Description                  | Qty |
|-------|-------------|------------------------------|-----|
| 1     | 1122005     | INSULATOR, SNAPSWITCH        | 1   |
| 2     | 1907826     | SCREW, 4-40 x 5/8 PAN HD TAP | 2   |
| 3     | 7703640     | MICRO SWITCH                 | 1   |
| 4     | 7703642     | BRACKET, REVERSE SWITCH      | 1   |

## 8.0 PARTS LIST - MP2000 ELECTRIC PUNCH

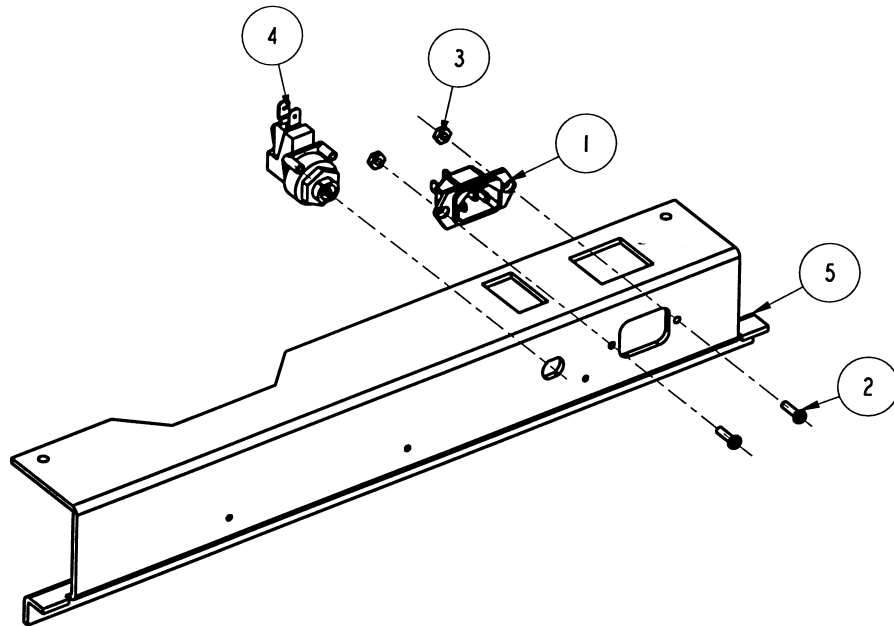


Figure 8-7 - MP2000 Parts – Rear Bracket Assembly View

## 8.0 PARTS LIST - MP2000 ELECTRIC PUNCH

### 8.7 Parts Listing, Rear Bracket Assembly

| Index | Part Number | Description                   | Qty |
|-------|-------------|-------------------------------|-----|
| 1     | 1132289     | POWER INLET, 115V             | 1   |
| 1     | 6195001     | POWER INLET, 230V             | 1   |
| 2     | 1911121     | SCREW, 6-32 x 1/2 SEMS PAN HD | 2   |
| 3     | 1926801     | HEX NUT W/WASHER 6-32         | 2   |
| 4     | 6202046     | SWITCH, PNEUMATIC             | 1   |
| 5     | 7706023     | BRACKET, REAR                 | 1   |

## 8.0 PARTS LIST - MP2000 ELECTRIC PUNCH

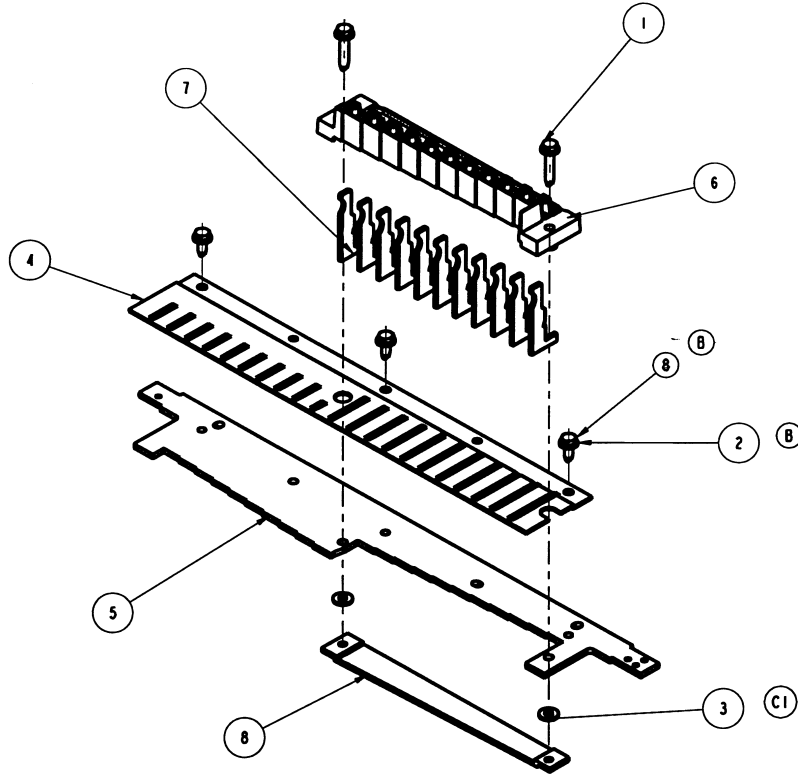


Figure 8-8 - MP2000 Parts – Pressure Bar Assembly View

## 8.0 PARTS LIST - MP2000 ELECTRIC PUNCH

### 8.8 Parts Listing, Pressure Bar Assembly

| Index | Part Number | Description                              | Qty |
|-------|-------------|--|-----|
| 1     | 1907103     | SCREW, 10-32 x 1 SEMS HX WSH HD TAP      | 2   |
| 2     | 1907105     | SCREW, 10-32 x 1/2 SEMS HX WSH HD TAP    | 3   |
| 3     | 1925004     | WASHER, 3/16 ID X .049 W                 | 2   |
| 4     | 7703549     | STRIPPER, PB                             | 1   |
| 4     | 7703849     | STRIPPER, W3                             | 1   |
| 4     | 7703759     | STRIPPER, C4                             | 1   |
| 5     | 7703687     | PRESSURE BAR, PB                         | 1   |
| 5     | 7703938     | PRESSURE BAR, W3                         | 1   |
| 5     | 7703758     | PRESSURE BAR, C4                         | 1   |
| 6     | 7703688     | GUIDE, PULL PIN, PB                      | 1   |
| 6     | 7703939     | GUIDE, PULL PIN, W3, C4                  | 1   |
| 7     | 7703689     | SELECTOR PIN, PB                         | 11  |
| 7     | 7703689     | SELECTOR PIN, W3                         | 17  |
| 7     | 7703689     | SELECTOR PIN, C4                         | 2   |
| 8     | 7703690     | STOP PLATE                               | 1   |
| 8     | 1960512     | LOCTITE (one drop on stop plate threads) | .01 |



### 8.0 PARTS LIST - MP2000 ELECTRIC PUNCH

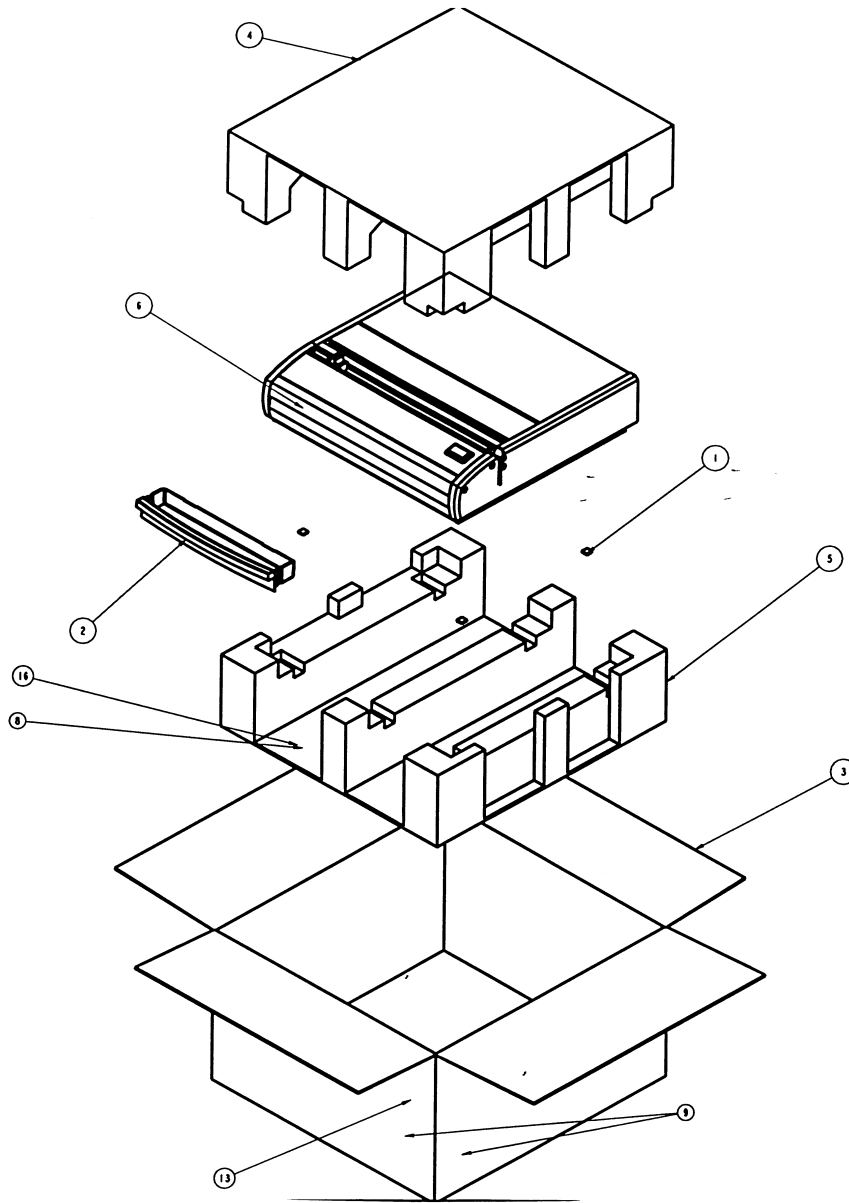


Figure 8-9 - MP2000 Parts – Packaging Materials View

## .8.0 PARTS LIST - MP2000 ELECTRIC PUNCH

### 8.9 Parts Listing, Packaging Materials – MP2000

| Index | Part Number | Description                          | Qty |
|-------|-------------|--------------------------------------|-----|
| 1     | 7703552     | RUBBER FOOT                          | 4   |
| 2     | 7703570     | CHIP TRAY                            | 1   |
| 3     | 7706043     | CARTON                               | 1   |
| 4     | 7706044     | FOAM TOP                             | 1   |
| 5     | 7706045     | FOAM BOTTOM                          | 1   |
| 6     | -REF-       | FINAL MACHINE ASSEMBLY MP2000        | 1   |
| 7     | 1107516     | PLASTIC BAG (POWER CORD & FOOT PEDAL | 1   |
| 8     | 6200001     | CORD SET – 115 VAC NORTH AMERICA     | 1   |
| 8     | 6200002     | CORD SET – 230V EUROPE               | 1   |
| 8     | 6200014     | CORD SET – 230V UNITED KINGDOM       | 1   |
| 8     | 6200016     | CORD SET – 240V AUSTRALIA            | 1   |
| 8     | 6200017     | CORD SET – 100V JAPAN                | 1   |
| 9     | 1155000     | MASTER LISTING                       | 1   |
| 10    | 1155022     | WARRANTY CARDS                       | 1   |
| 11    | 6009078     | CSA NRTL T/C LABEL                   | 1   |
| 12    | 6009146     | LABEL SHOCK DOM                      | 1   |
| 13    | 6009242     | NRTL/C SHIPPING LABEL                | 1   |
| 14    | 1963141     | TAPE, 2” SHIPPING                    | 5   |
| 15    | 7706047     | OPERATING INSTRUCTIONS               | 1   |
| 16    | 6190011     | FOOT PEDAL                           | 1   |
| 17    | 9781888     | PLASTIC BAG                          | 1   |