

Artic Titan 1040/1064 WF c LAMINATOR
INSTALLATION & OPERATION MANUAL
Document Number: 930-136

Do not duplicate without written permission.



GB Installation and Operating Manual

Part Number:

Rev. 07-26-06

The information in this publication is provided for reference and is believed to be accurate and complete. General Binding Corporation (GBC) is not liable for errors in this publication or for incidental or consequential damage in connection with the furnishing or use of the information in this publication, including, but not limited to, any implied warranty of fitness or merchantability for any particular use.

GBC reserves the right to make changes to this publication and to the products described in it without notice. All specifications and information concerning products are subject to change without notice. Reference in this publication to information or products protected by copyright or patent does not convey any license under the rights of GBC or others. GBC assumes no liability arising from infringements of patents or any other rights of third parties.

This publication is copyrighted © 2006 by GBC. All rights reserved. The information contained in this publication is proprietary and may not be reproduced, stored, transmitted, or transferred, in whole or in part, in any form without the prior and express written permission of GBC.

TABLE OF CONTENTS

Description	Page No.
Cover	1
Legal Disclaimer	2
Table of Contents	3
Important Safety Instructions	4
Important Safeguards	4
General	
Electrical	
Warranty	5
Limited 90-Day Warranty	5
Specifications	6
FCC Note	7
Installation	8
Prior to Installation	8
Installation	8
Features Guide	9
Top Film Supply Shaft	9
Release Liner Take-up	9
Idler Bar	9
Pressure Rollers	9
Nip Point	9
Feed Table	9
Safety Sensors	10
Emergency Stop (Artic Titan 1064 WF c)	10
Table Interlock Latch	10
Bottom Film Supply Shaft	11
Film Web	11
Core Adaptors	11
Tension Adjustment Knobs and Motor	12
Print Clamp (Artic Titan 1064 WF c)	12
Control Panel	13
Power Switch	
Operation	14
General Operation	14
Loading Film	15
Removing and Installing the Print Clamp (Artic Titan 1064 WF c)	16

Removing and Installing the Feed Table	16
Loading Film onto the Supply Shaft	17
Loading Film with a Threading Card	19
Loading Film by Tacking New Film to Existing Film	20
Decaling in Two Passes	21
Mounting	22
Tips for Threading Pressure Sensitive Adhesive (PSA) Film	22
Pre-Treating Boards	22
Mounting Only	22
Film Alignment and Tension	22
Film Alignment	23
Film Tension	
Artic Titan 1040 WF c Rewinder	23
Testing the Web	24
Clearing a Film Jam (Wrap-up)	24
Laminating Guide	24
Operator Maintenance	25
Caring for the Artic Titan 1040 WF c or Artic Titan 1064 WF c Laminator	25
Cleaning the Rollers	25
Troubleshooting	26

IMPORTANT SAFETY INSTRUCTIONS

YOUR SAFETY AS WELL AS THE SAFETY OF OTHERS IS IMPORTANT BEFORE YOU INSTALL OR USE THE MACHINE, READ AND FOLLOW ALL THE SAFETY NOTICES CAREFULLY IN THIS CHAPTER. IN THIS INSTRUCTION MANUAL, AND ON THE LAMINATOR, YOU WILL FIND IMPORTANT SAFETY NOTICES REGARDING THE LAMINATOR. READ ALL OF THE INSTRUCTIONS AND SAVE THESE INSTRUCTIONS FOR FURTHER USE.




THE SAFETY ALERT SYMBOL PRECEDES EACH SAFETY NOTICE IN THIS MANUAL. THE SYMBOL INDICATES A POTENTIAL PERSONAL SAFETY HAZARD TO YOU OR OTHERS, AS WELL AS LAMINATOR OR PROPERTY DAMAGE.



THIS SAFETY ALERT SYMBOL INDICATES A POTENTIAL ELECTRICAL SHOCK. IT WARNS YOU TO NOT OPEN THE LAMINATOR AND EXPOSE YOURSELF TO HAZARDOUS VOLTAGE.

THE FOLLOWING WARNINGS ARE FOUND ON THE Artic Titan 1040 WF c or Artic Titan 1064 WF c LAMINATOR.

⚠️ ADVERTENCIA	⚠️ Attention		⚠️ Avertissement
Riesgo de choque eléctrico. No abra: Adentro no hay piezas reparables por el usuario. Mantenimiento solamente por personal calificado.	Risque de Secousse électrique. Ne pas ouvrir. Pas de pièces réparables par l'utilisateur. Entretien seulement par personnel qualifié.		Electrical shock hazard. Do not open. No user serviceable parts inside. Refer servicing to qualified service personnel.

THIS SAFETY NOTICE MEANS THAT YOU COULD BE SERIOUSLY HURT OR KILLED IF YOU OPEN THE LAMINATOR AND EXPOSE YOURSELF TO HAZARDOUS VOLTAGE.

⚠️ CUIDADO	⚠️ ATTENTION		⚠️ CAUTION
PUNTO DE PINCHAMIENTO entre rodillos. Mantener manos y dedos a distancia.	POINT DE PINCEMENT entre les rouleaux. Tenir mains et doigts à l'écart.		PINCH POINT between rollers. Keep hands and fingers away.

THIS SAFETY NOTICE MEANS THAT YOUR FINGERS AND HANDS COULD BE TRAPPED AND CRUSHED IN THE ROLLERS. CLOTHING, JEWELRY AND LONG HAIR COULD BE CAUGHT IN THE ROLLERS AND PULL YOU INTO THEM.



WARNING: DO NOT ATTEMPT TO SERVICE OR REPAIR THE LAMINATOR.



WARNING: DO NOT CONNECT THE LAMINATOR TO AN ELECTRICAL SUPPLY OR ATTEMPT TO OPERATE THE LAMINATOR UNTIL YOU HAVE COMPLETELY READ THESE INSTRUCTIONS. MAINTAIN THESE INSTRUCTIONS IN A CONVENIENT LOCATION FOR FUTURE REFERENCE.



WARNING: TO GUARD AGAINST INJURY, THE FOLLOWING SAFETY PRECAUTIONS MUST BE OBSERVED WHEN INSTALLING AND USING THE LAMINATOR.

FAILURE TO OBSERVE THESE WARNINGS COULD RESULT IN SEVERE BODILY DAMAGE OR DEATH.

IMPORTANT SAFEGUARDS



WARNING: TO GUARD AGAINST INJURY THE FOLLOWING SAFETY PRECAUTIONS MUST BE OBSERVED IN INSTALLATION AND USE OF THE LAMINATOR.

General:

- Keep hands, long hair, loose clothing, and articles such as necklaces or ties away from the front of the heat and pull rollers to avoid entanglement and entrapment.
- Do not use the laminator for other than its intended purpose.
- Do not place the laminator on an unstable cart, stand or table. An unstable surface may cause the laminator to fall resulting in serious bodily injury. Avoid quick stops, excessive force and uneven floor surfaces when moving the laminator on a cart or stand
- Do not defeat or remove electrical and mechanical safety equipment such as interlocks, shields and guards.
- Do not insert objects unsuitable for laminating or expose the equipment to liquids.

Electrical

The laminator should be connected only to a source of power as indicated in these instructions and on the serial plate located on the rear of the laminator. Contact an electrician should the attachment plug provided with the laminator not match the receptacles at your location.



WARNING: Do not attempt to service or repair the laminator. Failure to observe this warning could result severe personal injury or death.

Disconnect the plug from the receptacle and contact your dealer or distributor when one or more of the following has occurred.

- The power supply cord or attachment plug is damaged.
- Liquid has been spilled into the laminator.
- The laminator is malfunctioning after being mishandled.
- The laminator does not operate as described in these instructions.



CAUTION: The receptacle must be located near the equipment and easily accessible.

Disconnect the attachment plug from the receptacle to which it is connected and keep the power supply cord in your possession while moving the laminator.

WARRANTY

LIMITED 90- DAY WARRANTY

GBC warrants to the original purchaser for a period of ninety days on labor and one year on parts after installation that this laminator is free from defects in workmanship and material under normal use and service. GBC's obligation under this limited warranty is limited to replacement or repair, at GBC's option, of any part found defective by GBC without charge for material or labor.

THIS LIMITED WARRANTY IS IN LIEU OF ALL OTHER WARRANTIES EXPRESSED OR IMPLIED. WARRANTIES OF MERCHANTABILITY OR FITNESS FOR A PARTICULAR PURPOSE ARE EXPRESSLY EXCLUDED. ANY REPRESENTATIONS OR PROMISES INCONSISTENT WITH, OR IN ADDITION TO, THIS LIMITED WARRANTY ARE UNAUTHORIZED AND SHALL NOT BE BINDING UPON GBC. IN NO EVENT SHALL GBC BE LIABLE FOR ANY SPECIAL, INCIDENTAL, OR CONSEQUENTIAL DAMAGES, WHETHER OR NOT FORESEEABLE.

This limited warranty shall be void if the laminator has been misused; mishandled; damaged by negligence, by accident, during shipment, or due to exposure to extreme conditions; repaired, altered, moved, or installed by anyone other than GBC or its authorized agents; or if incompatible film was used. GBC's obligation under this limited warranty does not include routine maintenance, cleaning, adjustment, normal cosmetic or mechanical wear, or freight charges.

Without limiting the generality of the previous paragraph, GBC's obligation under this limited warranty does not include:

1. Damage caused to the rollers by knives, razors, or other sharp tools: by any foreign objects falling into the working area of the laminator; or by cleaning the laminator with solutions or materials that harm its surfaces;
2. Damage caused by adhesives; nor
3. Damage caused by lifting, tilting or attempting to position the laminator other than rolling it on its castors across even surfaces.

FOR EUROPEAN UNION RESIDENTS ONLY: This guarantee does not affect the legal rights which consumers have under applicable national legislation governing the sale of consumer goods.

SPECIFICATIONS

	Artic Titan 1040 WF c	Artic Titan 1064 WF c
Operating Speed		
<ul style="list-style-type: none"> • Variable • Fixed 	0 to 189 fpm(0.8 to 4 m) 3fpm (0.9 m)	0to 18 fpm(0.8 to 4 m) 3fpm (0.9 m)
Dimensions		
<ul style="list-style-type: none"> • Width • Height • Depth • Weight 	54 in (137 cm) 21 in (53 cm) 19 in (48 cm) 140 lbs. (64 kg)	72.25 in (184 cm) 48 in (122 cm) 26.5 in (67 cm) 285 lbs. (129.3 kg)
Electrical Requirements		
<ul style="list-style-type: none"> • Voltage • Current • Power • U.S. Receptacle 	120 V 60 Hz 0.6 Amps 70 W NEMA 5-15R	120 V 60 Hz 1.3 Amps 160 W NEMA 5-15R

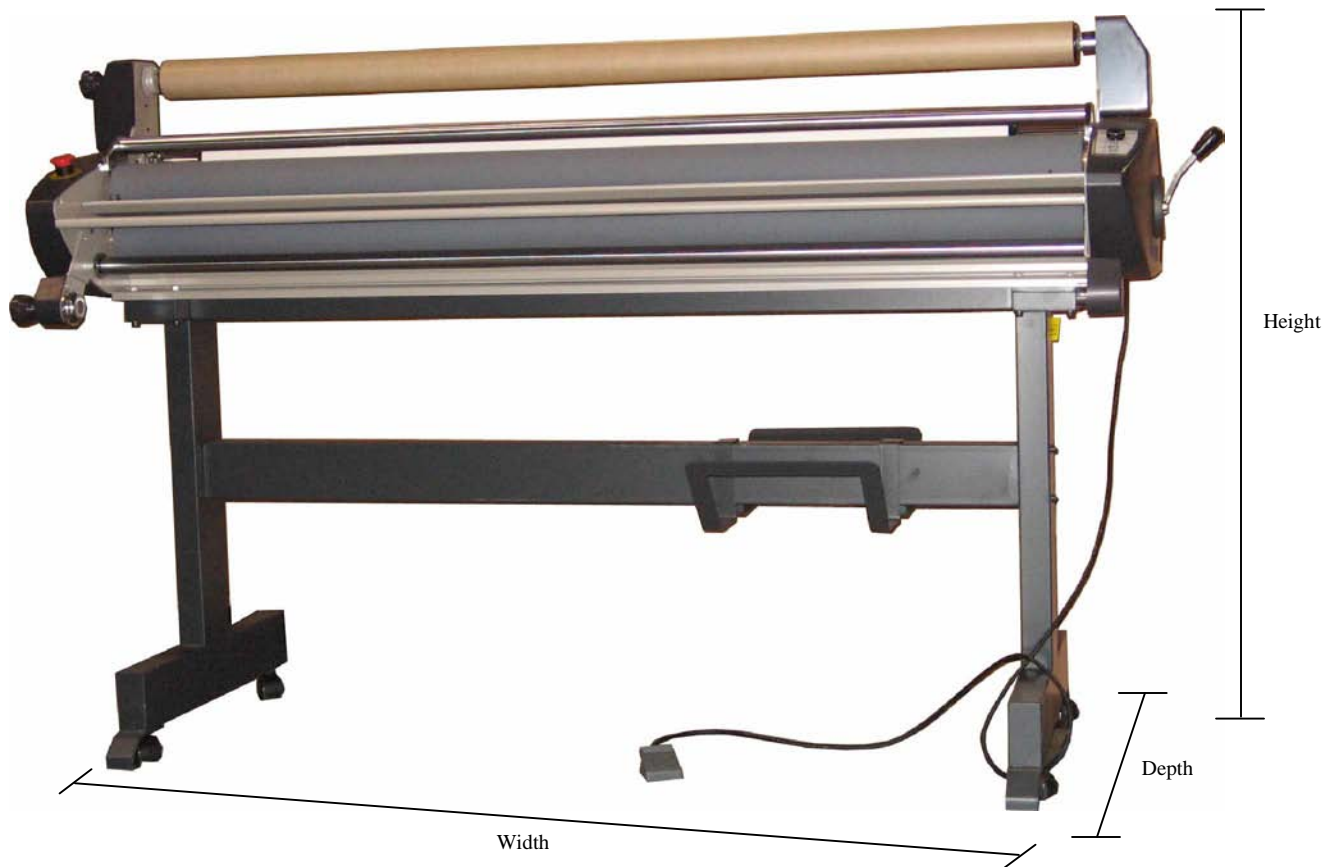


Fig. 3-1. Artic Titan 1040 WF c Dimensions (Shown in Inches (cm).)

FCC NOTE

FCC Class A Notice - Notification pour les Etats-Unis

Note: This equipment has been tested and found to comply with the limits for a Class A digital device, pursuant to part 15 of the FCC rules. These limits are designed to provide reasonable protection against harmful interference when the equipment is operated in a commercial environment. This equipment generates, uses, and can radiate radio frequency energy and, if not installed and used in accordance with the instruction manual, may cause harmful interference to radio communications. Operation of this equipment in a residential area is likely to cause harmful interference in which case the user will be required to correct the interference at his own expense.

Canada Class A Notice - Avis Canada, Classe A

This Class A digital apparatus complies with Canadian ICES-003.

Cet appareil numérique de la classe A est conforme à la norme NMB-003 du Canada.

Modifications

Any modifications made to this device that are not approved by General Binding Corporation may void the authority granted to the user by the FCC and/or by Industry Canada to operate this equipment.

Toutes modifications apportées à ce dispositif et non approuvées par General Binding Corporation annuleront le droit accordé à l'utilisateur par le FCC et/ou par Industrie Canada de faire fonctionner cet équipement.

INSTALLATION

This chapter describes how to install the machine. There are no operator serviceable parts to the machine other than periodic cleaning. Refer to the *Operator Maintenance* chapter.



WARNING: Do not attempt to service or repair the laminator. Failure to observe this warning could result severe personal injury or death.

Disconnect the plug from the receptacle and contact your dealer or distributor when one or more of the following has occurred.

- The power supply cord or attachment plug is damaged.
- Liquid has been spilled into the laminator.
- The laminator is malfunctioning after being mishandled.
- The laminator does not operate as described in these instructions.

PRIOR TO INSTALLATION

Inspect the package for damage. Shipping damage should be brought to the immediate attention of the delivering carrier.

INSTALLATION

To set up the laminator for the first time:

1. Place the laminator on a stable flat surface capable of supporting the weight of the machine and any materials. The surface for the Artic Titan 1040 WF c should be at least 30 inches (0.76 m) high to assure comfortable positioning during operation. All four rubber support feet should be positioned completely on the supporting surface. The supporting surface may also be large enough to hold the material to be laminated.
2. The laminator should be located so that exiting film drops freely to the floor or to a table that is lower than the exit point of the laminator. Accumulation of laminate immediately behind the laminator as it exits the equipment may cause the film to wrap around the rollers, jamming the machine.
3. Avoid locating the laminator near sources of heat or cold. The laminator should not be in the direct path of forced heated or cooled air.
4. Connect the attachment plug provided with the laminator to a suitably grounded outlet only.

FEATURES GUIDE

This chapter helps you identify the main components of the laminator.

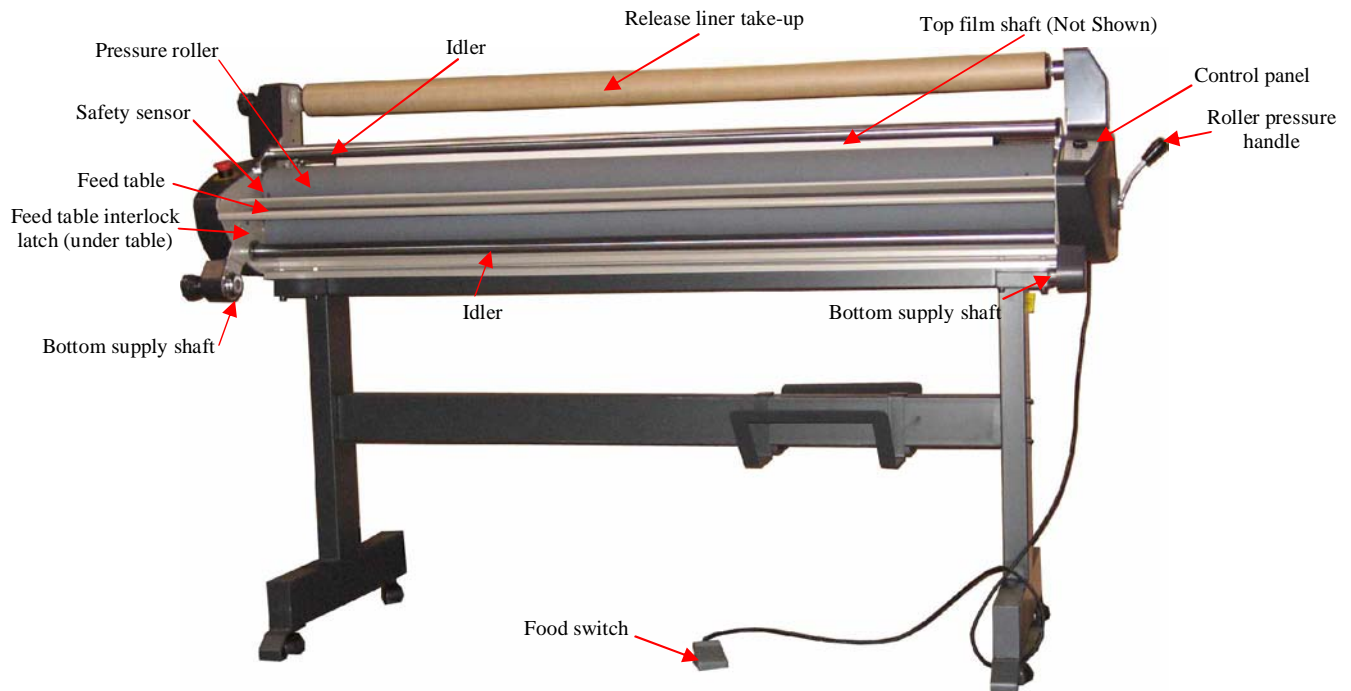


Fig. 5-1. Laminator Identification. (Artic Titan 1064 WF c Shown Without Print Clamp.)

TOP FILM SUPPLY SHAFT

Holds the film supply on the laminator.

RELEASE LINER TAKE-UP

Rewinds the release liner of pressure sensitive films. It consists of a shaft, core adapters, and cardboard core.

IDLER BAR

The idler bar directs the film to the roller.

PRESSURE ROLLERS

Two pressure rollers apply pressure to the film and the print being laminated or mounted. They pull the print and films into the laminator.

NIP POINT

(Not shown.) The point at which the top and bottom rollers come into contact and the point at which the items for lamination are introduced into the laminator.

FEED TABLE

The feed table is used to position items for laminating and mounting. **When the feed table is removed, the laminator runs at 3 fpm (0.9 m) when you press the foot switch.** The feed table is removed only when you load film.

SAFETY SENSORS



Fig. 5-2. Safety Sensor Location

A. Safety Sensor (Figure 5-2)

The infrared safety sensors prevent entanglement, entrapment, and inadvertent contact with the rollers. The sensors are located on each side of the machine, in front of the bottom roller. They stop the machine when a hand or object blocks the invisible infrared beam if you are not using the foot switch.

When the foot switch is used, the speed drops to 3 fpm (0.9 m).



WARNING: Keep your fingers and hands away from the nip point. Failure to observe this warning could result in severe personal injury.

EMERGENCY STOP (Artic Titan 1064 WF c)



Fig. 5-3. Emergency Stop Button
(Artic Titan 1064 WF c Only)

Emergency Stop Button (Figure 5-3)

The emergency stop button is on the left side of the Artic Titan 1064 WF c laminator. To engage, press the push button and roller movement stops. To disengage, turn the push button clockwise once the emergency condition has been resolved.

TABLE INTERLOCK LATCH

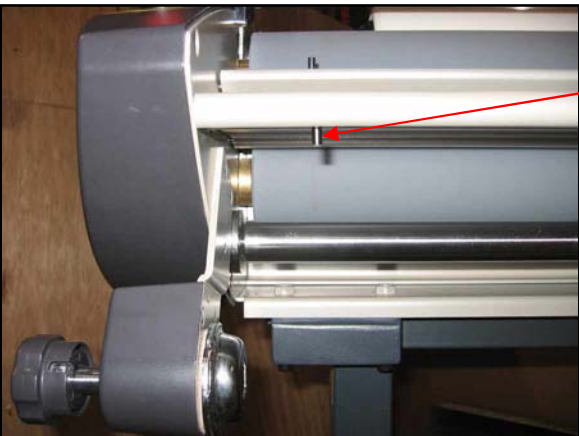


Fig. 5-4. Table Interlock Latch under the Table

A. Table Interlock Latch (Figure 5-4)

The interlock latch locks the feed table into position and activates an interlock switch. The latch is located on the left, underside of the feed table. Move the latch to the right to release the table. Then lift the table upwards and away from the laminator.

BOTTOM FILM SUPPLY SHAFT

Holds the film or kraft paper on the machine.

FILM WEB

(Not shown.) The path the laminating film and/or mounting film mounted on the machine takes through the machine.

CORE ADAPTORS

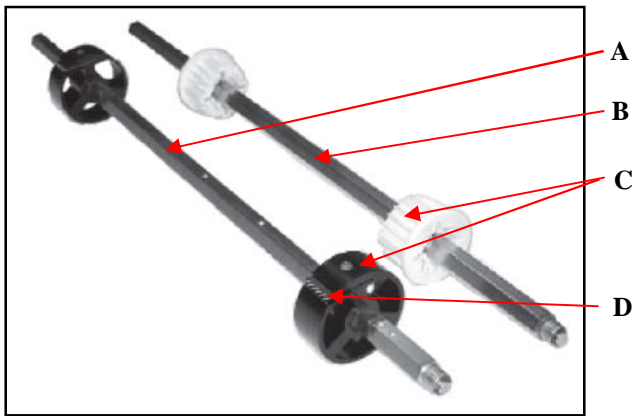


Fig. 5-5. Core Adaptors on the Shafts

A. Supply shaft (Figure 5-5)

B. Take-up shaft (Figure 5-5)

C. Core Adaptors (Figure 5-5)

D. Gripper (Figure 5-5)

The core adaptors hold and lock the rolls of film and release liner on the shafts to prevent side to side shifting. Grippers on the supply shafts ensure proper tension on the film. The supply shaft core adaptors lock in place with a set screw. The release liner takeup core adaptors are held in place by friction.

ROLLER PRESSURE HANDLE

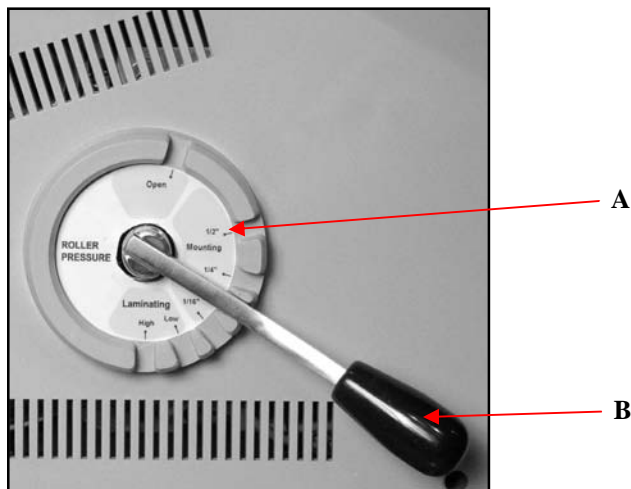


Fig. 5-6. Roller Pressure Handle

A. Settings (Figure 5-6)

B. Roller Pressure Handle (Figure 5-6)

The roller pressure handle adjusts the amount of roller pressure needed for various laminating and mounting applications. Pull the handle away from the laminator, rotate it to the desired pressure, and press it into the desired slot. Three main function settings are provided.

IMPORTANT: Use a pressure setting that is appropriate for the material you are laminating or mounting.

Release: Provides the widest opening between the pressure rollers and takes pressure off the rollers. This is used when installing new rolls of film. When the machine is not in use, put the handle in this position.

Mounting: Used when bonding to a rigid substrate such as mounting boards. Thickness range is 1/16 to 1/2 in. (1.6 to 12.7 mm).

Laminating: Used to adhere materials in multiple substrates. The two positions are low (right) and high (left) pressure.

TENSION ADJUSTMENT KNOBS AND MOTOR



Fig. 5-7. Artic Titan 1040 WF c Tension Adjustment Knobs and Motor

A. Rewind Motor (Figure 5-7)

B. Film Tension Adjustment Knobs (Figure 5-7)



Fig. 5-8. Artic Titan 1064 WF c Tension Adjustment Knobs

A. Rewind Tension Adjustment Knob (Figure 5-8)

B. Film Tension Adjustment Knobs (Figure 5-8)

The film supply shaft tension knobs allow the operator to increase or decrease the film web tension as needed to reduce curl and wrinkles. The rewind tension knob allows the operator to adjust the amount of pull on the release liner. This prevents the release liner from being pulled into the laminator or the film from wrapping around the rewind tube.

PRINT CLAMP (Artic Titan 1064 WF c)



Fig. 5-9. Print Clamp and Latch

A. Release Latch (Figure 5-9)

B. Print Clamp (Figure 5-9)

Helps keep prints against the feed table while being fed into the rollers. This clamp may be removed for mounting boards.

CONTROL PANEL

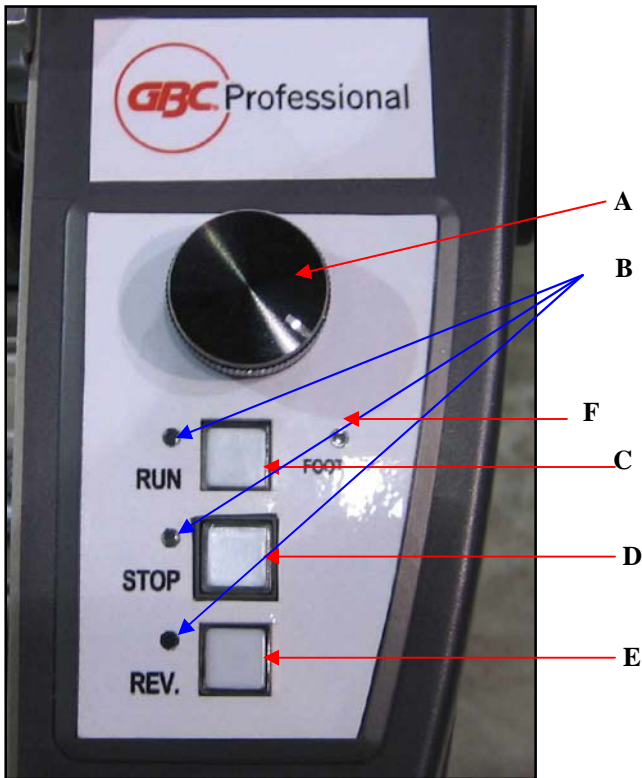


Fig. 5-10. Control Panel

A. Speed Adjustment (Figure 5-10)

Turn the speed adjustment knob to set the desired speed. It is adjustable from 0Ft/mn to 18Ft/mn (0.8 to 4 m).

B. LED



WARNING: Keep your fingers and hands away from the nip point (the point where the upper and lower rollers meet). Failure to observe this warning could result in severe personal injury.

C. RUN

Press and release **RUN** for continuous running. The green LED illuminates.

D. STOP

Press **STOP** to stop the machine

E. REVERSE

Press and hold **REVERSE** to reverse the direction of the rollers. Release the button to stop. The green LED illuminates while the button is pressed.

F. FOOT

When the Foot Sw2itch is used, the FOOT LED while illuminate Green to indicate that the Foot Switch is overriding the safety system.

POWER SWITCH

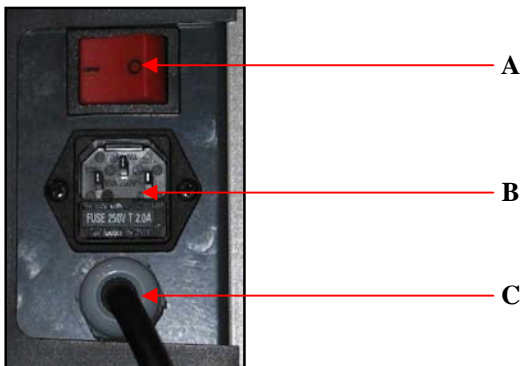


Fig. 5-11. Power Switch, Power Cord and Foot Switch Cord

A. Power Switch (Figure 5-11)

B. Power Cord

C. Foot Switch Cord

The power switch is located at the back of the machine. Press the “I” on the switch to turn it on. An orange LED will illuminate next to the stop button. The off position, marked “0”, turns the machine off. The power cord is detachable and the foot switch is not.

Foot Switch (Figure 5-12)

The foot switch allows the operator to start and stop the laminator while handling the item to be laminated.

Press the foot switch to run the laminator. Release it to stop the laminator.

When the foot switch is used and the safety sensor is blocked, the speed of the laminator drops to 3 fpm (0.9 m).

FOOT SWITCH



OPERATION

This chapter describes how to use the laminator to:

- Operate the machine
- Load films (web the machine)
- Laminate items
- Mount items

GENERAL OPERATION

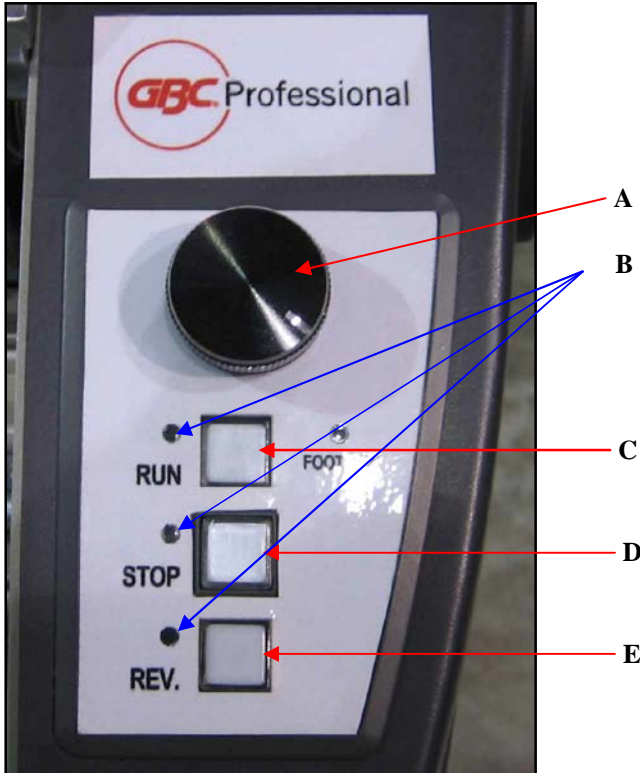
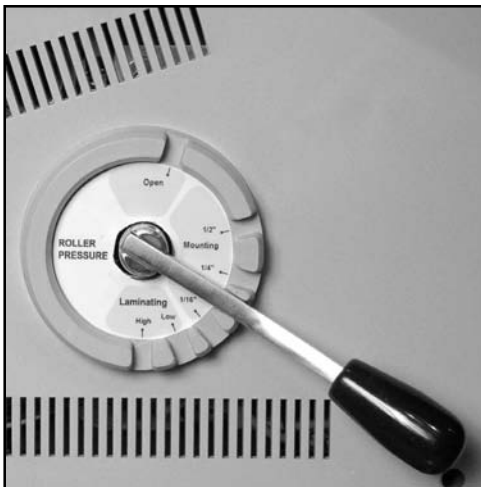


Fig. 6-1. Control Panel



These instructions assume that the films have been loaded. For information about loading films, see the Loading Film section in this chapter.

- A. **SPEED ADJUSTMENT** (Figure 6-1)
- B. **LED**
- C. **RUN**
- D. **STOP**
- E. **REVERSE**

To run the laminator

1. Turn the laminator On (I) with the power switch located at the back of the machine.



WARNING: Make sure the print clamp (Artic Titan 1064 WF c) and feed trays are in their proper positions. Your fingers and hands could be trapped and crushed in the rollers. Clothing, jewelry, and long hair could be caught in the rollers and pull you into them.

2. Set the roller pressure handle for the thickness of the item that is to be laminated or mounted.
3. Set the desired speed on the control panel.
4. Press **RUN** or the **Foot Switch**. The rollers will begin to turn.
5. Position the item(s) to be laminated or mounted on the feed table.
6. Push the item(s) squarely into the roller nip point (where the two rollers meet). Additional items can be laminated or mounted without stopping and starting the machine.
7. Release the foot switch or press **STOP** to stop the laminator when all of the items have completely exited the rear of the machine.

LOADING FILM

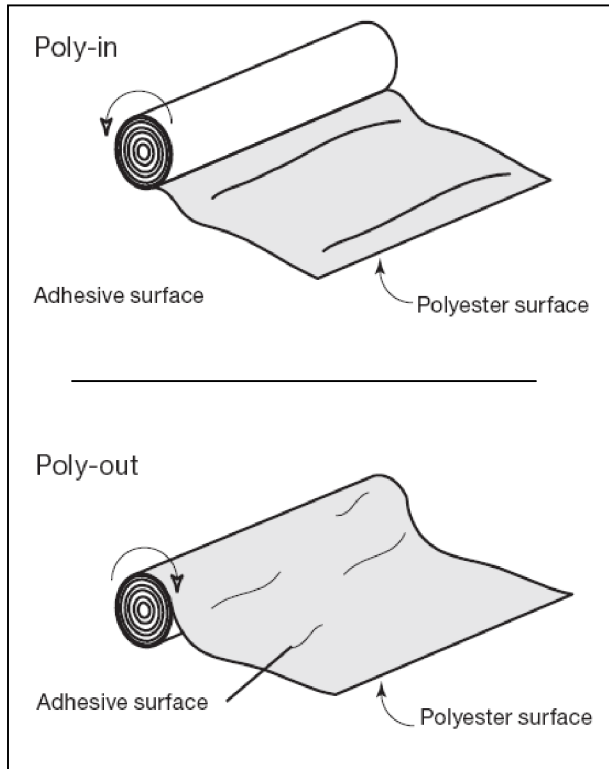


Fig. 6-3. Poly-In and Poly-Out Films

The Artic Titan 1040 WF c and Artic Titan 1064 WF c laminators runs poly-in and poly-out pressure sensitive adhesive (PSA) films. Poly-in means the adhesive side of the film is on the inside of the film roll. Poly-out means the adhesive is on the outside of the film roll.

The machine can perform three functions:

- Decaling (laminating and applying an adhesive to the back of the item).
- Mounting, using one film.
- Mounting, using no film.

IMPORTANT: The top and bottom rolls of laminating film must be the same width.

Always change the top and bottom supply rolls at the same time.

The film will wrap around the rollers if:

- One or both rolls of film are allowed to run completely off its core.
- Only one roll is used.
- Different widths of rolls are loaded together.
- Either roll is loaded with the adhesive side against a roller.

There are two methods of loading film.

- Using a threading card.
- Tacking new film to existing film.

Prior to loading film, the print clamp and feed table need to be removed.

REMOVING AND INSTALLING THE PRINT CLAMP (Artic Titan 1064 WF c)



Fig. 6-4. Print Clamp and Feed Table

The print clamp guides prints into the rollers. It should be removed when mounting items to thicker boards. It also needs to be removed to install films and when cleaning the rollers.

A. Release Latch (Figure 6-4)

B. Print Clamp (Figure 6-4)



WARNING: Keep fingers and hands away from the rollers when the machine is running. They could be trapped and crushed in the rollers. Clothing, jewelry, and long hair could be caught in the rollers and pull you into them.

To remove the print clamp:

1. Slide and hold either the left or right latch towards the center of the laminator.
2. Lift the end of the print clamp up while disengaging the opposite end.

To install the print clamp:

1. Position one end of the print clamp so that its latch engages into its locking hole.
2. Lower the other end while retracting the latch so that the latch lines up with its locking hole.
3. Release the latch and ensure that both latches are engaged.

REMOVING AND INSTALLING THE FEED TABLE

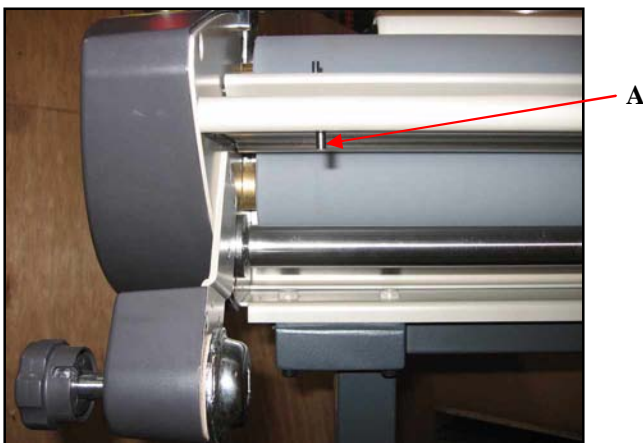


Fig. 6-5. Table Interlock Latch

The feed table should not be removed except to install films. When the table is off, the laminator runs at a fixed speed of 3 fpm (0.9 m). Refer to Fig. 6-5 for the following instructions.

A. Table Interlock Latch (Figure 6-5)

To remove the feed table:

1. Slide the feed table latch to the right.
2. Lift the table upwards and away from the laminator.

To install the feed table:

1. Place the table on the machine.
2. Slide the feed table latch to the left.

LOADING FILM ONTO THE SUPPLY SHAFTS

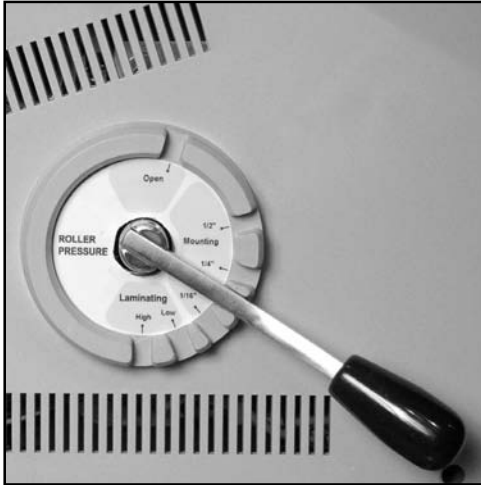


Fig. 6-6. Roller Pressure Handle



Fig. 6-7. Bottom Supply Shaft Bearing out of its Cradle



Fig. 6-8. Bottom Supply Shaft in its Brake Hub

If you are loading film for the first time, skip these instructions and start with the instructions, *To load films onto the supply shafts*. If you are replacing existing films, perform the following set of instructions, *To remove existing films*.

To remove existing films:

Refer to Figs. 6-6 through 6-8.

1. Put the roller pressure handle to Release.
2. Cut the remaining top and bottom films just ahead of the pressure rollers. Do not allow the remaining film to pass through the laminator, if there is any exposed adhesive. Pull the remaining film out the front of the machine.



CAUTION: Be careful to not cut the pressure rollers. Failure to observe this notice can result in damage to the rollers.

3. Remove the release liner from the take-up core by doing the following.
 - a. Grasp the take-up shaft and lift the right end upward and out of the support.
 - b. Pull the opposite end out of the brake hub.
 - c. Unwind or cut the liner from the core. Do not damage or throw away the core.
 - d. Put the shaft, with the core, back on the machine by inserting the hex end into the brake hub and lower the bearing into its cradle.
4. To remove the film core shaft, lift the bearing end of the supply shaft out of its cradle and pull the opposite end out of the brake hub.
5. Do this for the top and bottom supply shafts.
6. Slide the core off the shaft and core adaptors.
Tip: Twist the shaft while pulling to remove the core easier.
7. Clean the pressure rollers if needed. See the *Operator Maintenance* chapter in this manual.

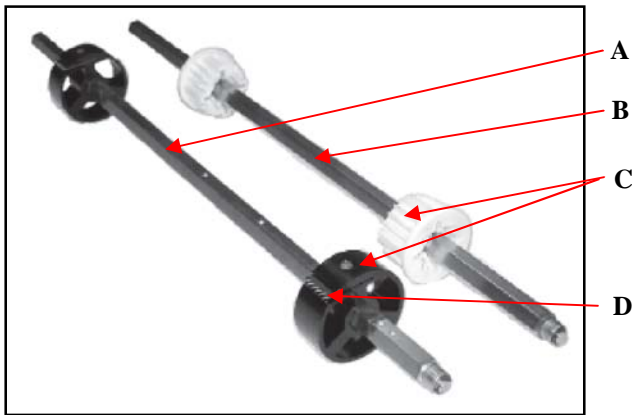


Fig. 6-9. Core Adaptors on the Shafts

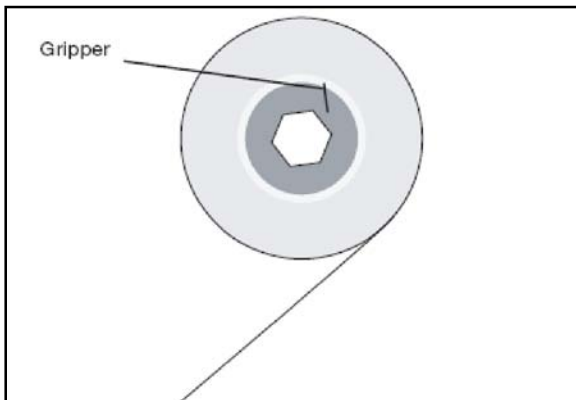


Fig. 6-10. Direction of Core Adaptor Gripper on Poly-in Film

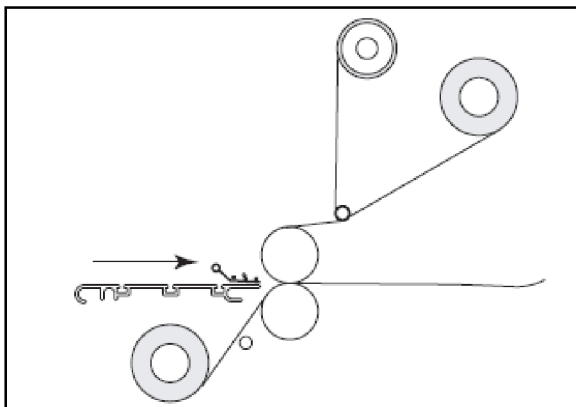


Fig. 6-11. Films Loaded on the Laminator

To load films onto the supply shafts: (Figure 6-9)

- A. Supply shaft**
- B. Take-up shaft**
- C. Core Adaptors**
- D. Gripper**

1. If the supply shaft is on the machine, grasp the bearing end and lift it out of the cradle. Then pull the left end out of the brake hub. This applies to the top and bottom supply shafts.
2. Slide the new roll on to the shaft and core adaptors, referring to Fig. 6-3. to determine how the film unwinds from the roll. Use the set screws in the core adaptors to move the adaptors if needed. The grippers on the core adaptors should be pointing in the opposite direction that the film unwinds from the roll.
3. Insert the hex end of the shaft into its brake hub and then insert the bearing end in its cradle.
4. Center each supply roll on the shafts by doing the following. Also see the section, *Film Alignment* in this section.
 - a. Use a ruler to measure from the left edge of the roll to the left side frame.
 - b. Do the same on the right side.
 - c. Shift the roll side to side so that both measurements are equal. It is important that the edges of the films are aligned so that adhesive does not stick to the rollers.
5. Center the take-up core on its shaft.

LOADING FILM WITH A THREADING CARD

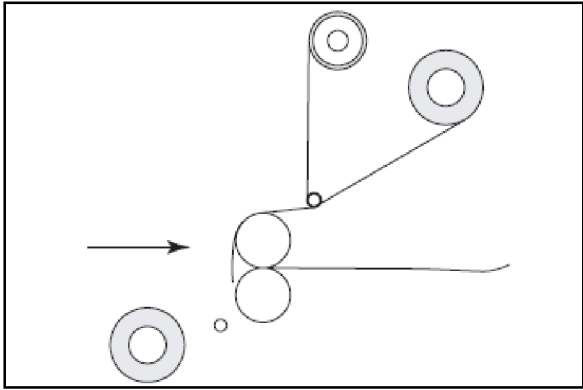


Fig. 6-12. Top Film Draped Over the Pressure Rollers and Release Liner Attached to Take-up

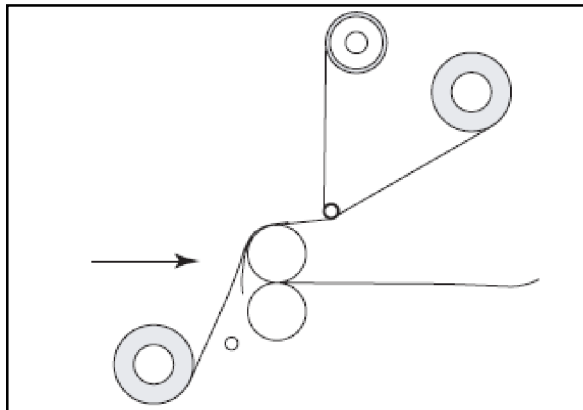


Fig. 6-13. Bottom Film or Kraft Paper Stuck to Top Film

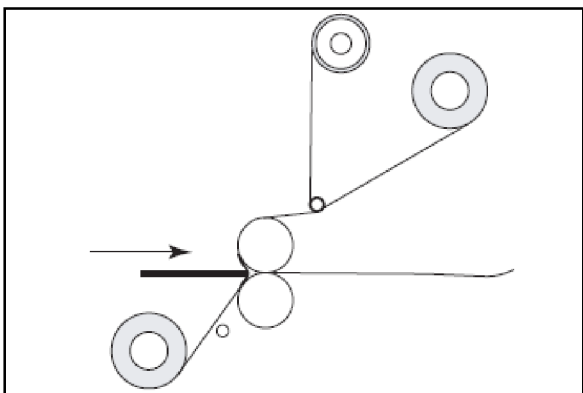


Fig. 6-14. Threading Card Inserted Between Films

The following procedure uses a film threading card that is sometimes provided with new rolls of film. If one is not provided, a scrap of cardboard or poster board with a straight edge is suitable. Either can be reused. Prior to loading film, remove the print clamp (Artic Titan 1064 WF c) and feed table.

Note: These instructions are for loading laminating and mounting films for decaling. The top supply shaft is used for laminating films and the bottom supply shaft is used for mounting film or kraft paper. If you are not applying mounting film to a laminate, kraft paper should be used on the bottom supply shaft, to prevent adhesive from sticking to the rollers. For more information about loading films for other processes, refer to the appropriate section in this chapter.

To web (load films) the machine:

1. Remove the print clamp (Artic Titan 1064 WF c) and feed tray. Refer to *Removing and Installing the Print Clamp (Artic Titan 1064 WF c) and Feed Table Removal and Installation* in this section.
2. Pull the top film down, thread it under the idler bar, and pull the film back up to the take-up core.
3. Lightly tape both corners of the film to the take-up core.
Ensure that the film is pulled evenly and that no bulges exist at either end of the idler bar.
4. Using a very sharp utility knife, lightly score the laminating film approximately 4 in (10 cm) above the upper pressure roller.
Be careful to not cut through the release liner.
5. Pull the laminating film away from the liner and drape it over the front of the pressure rollers so that it extends to a little past the bottom of the top pressure roller.
6. Pull the mounting film (or kraft paper) up to about even with the top of the top pressure roller without touching the sticky laminating film.
7. While pulling evenly, carefully align the edges of the mounting film with the laminating film, and press the two together. It is important that the tension is even from one end of the supply rolls to the other.
8. Press the straight edge of the threading card into the two films at the nip (the point between the two pressure rollers) until the card and films are slightly past the nip.
9. Move the roller pressure handle to where it applies pressure to the threading card.
10. Press **RUN** on the control panel or while pressing the foot switch, guide the threading card into the machine until the rollers pull the card on its own.



WARNING: Keep your fingers and hands away from the nip point while the machine is running. They could be trapped and crushed in the rollers. Clothing, jewelry, and long hair could be caught in the rollers and pull you into them.

11. Release the card and ensure that both films and card are being pulled into the laminator.
12. The card will guide the film webs into the rollers. Press **STOP** or release the **Foot Switch**.
13. Replace the print clamp (Artic Titan 1064 WF c) and feed table. Refer to *Removing and Installing the Print Clamp (Artic Titan 1064 WF c) and Feed Table Removal and Installation* in this section.
14. Check the film alignment and adjust the tension if needed.

LOADING FILM BY TRACKING NEW FILM TO EXISTING FILM

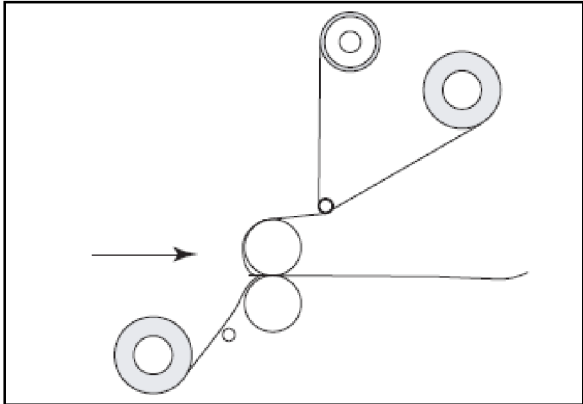


Fig. 6-15. New Films Tacked to Old Films

The following describes a method for loading film whereby the existing film on the rollers may be used in place of the threading card to draw the new film through the laminator. Leading edges of the new film will be overlapped onto the adhesive of the old film. The existing film and the new film will be pulled through the laminator together.

1. Remove the print clamp (Artic Titan 1064 WF c) and feed tray. Refer to *Removing and Installing the Print Clamp (Artic Titan 1064 WF c)* and *Feed Table Removal and Installation* in this section.
2. Cut the remaining bottom film web between the supply roll and rollers.
3. Remove the existing bottom supply roll and replace with new film. Refer to the *Loading Film Onto the Supply Shafts* section in this chapter.
4. Unroll enough film from the bottom roll of film to tack to the existing bottom film. Make sure to carefully align the edges of the films before tacking them together.
5. Cut the remaining top film web between the supply roll and rollers. Do not allow the adhesive to stick to the rollers or the bottom film.
6. Remove the existing top supply roll and replace with new film.
7. Unroll enough film from the top supply roll shaft to tack to the existing top film. Make sure to carefully align the edges of the films before tacking them together.
8. Install the feed table and print clamp (Artic Titan 1064 WF c).
9. Set the speed for the slowest speed setting, press **RUN** or the **Foot Switch**.
10. Watch the film being pulled through the laminator to ensure that the remaining existing film and the new film are advancing concurrently and evenly. Any separation between the films will require stopping the motor immediately and the situation corrected.
11. Release the foot switch or press **STOP** once the newly threaded film completely exits the laminator.
12. Check the film alignment and adjust the tension if needed. See the *Film Alignment and Tension* section in this chapter.

DECALING IN TWO PASSES

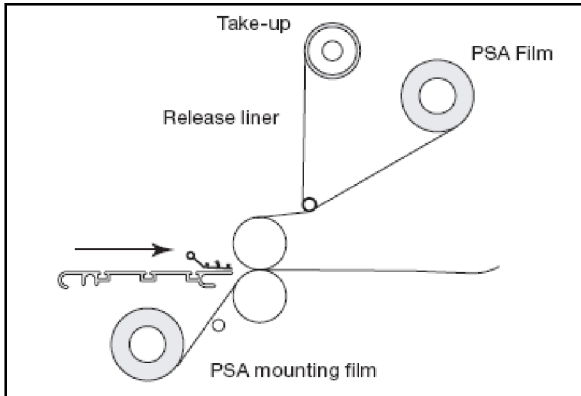


Fig. 6-16. Laminator Loaded for Decaling the First Pass with Film (Poly-in Shown)

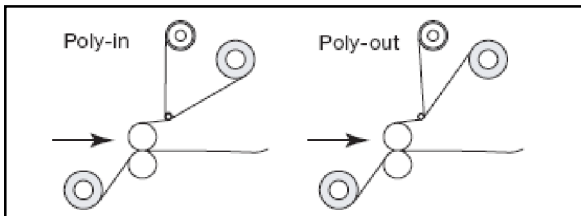


Fig. 6-17. Configurations for Poly-in and Poly-out Films

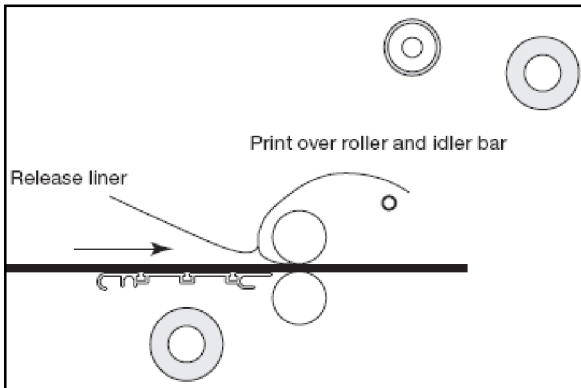


Fig. 6-18. Laminator Ready for Mounting

Decaling is where you laminate items and then mount them on other materials such as Foam Core or mounting board. It is performed in two passes. The first pass laminates and applies the mounting adhesive, encapsulating the item. The second pass mounts it on rigid material.

This two pass operation requires pressure sensitive laminating film on the top supply shaft and pressure sensitive mounting film on the bottom supply shaft. Refer to Fig. 6-17 for the proper configuration of Poly-in or Poly-out film.

To run the first pass:

1. Load the laminator as shown in Fig. 6-16.
2. Adjust the roller pressure handle to the proper laminating setting.
3. Place the item to be laminated on the feed table and press **RUN** or the **Foot Switch**.
4. Guide the item into the rollers.
5. Once the item has cleared the back of the machine, release the **Foot Switch** or press **STOP**.
6. Remove the web and trim out the encapsulated item.

To run the second pass:

Unweb (unload the films) the laminator before running the second pass.

1. Adjust the roller pressure handle to the proper mounting setting.
2. Set the motor speed to **min**.
3. Peel back the leading edge of the release line of the laminated item approximately 4 inches (10 cm).
4. Place the item on the mount board.
5. Tack the exposed adhesive edge of the item, from the center out, to the leading edge of the board. Be sure to not introduce wrinkles or air bubbles.
6. Butt the leading edge of the board up against the rollers.
7. Drape the encapsulated item over the idler bar. Do not allow the print to flop backwards.
8. Press **RUN** or the **Foot Switch**.
9. Immediately grasp the release liner for separation as the board is pulled into the rollers. Do not allow the release liner to be pulled into the rollers.
10. After the board has cleared the rollers release the **Foot Switch** or press **STOP**.

MOUNTING

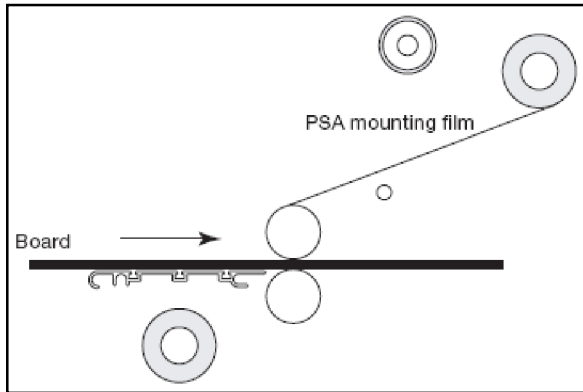


Fig. 6-19. Laminator Ready for Pre-treating Boards

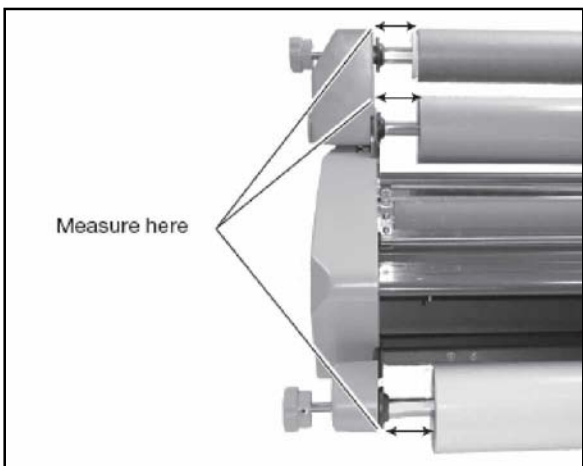


Fig. 6-20. Measuring Points

TIPS FOR THREADING PRESSURE SENSITIVE ADHESIVE (PSA) FILM

- Use kraft paper for one-sided lamination.
- Refer to Fig. 6-17 for the proper film configuration.
- Whenever possible, pull the remaining web of film out the front of the laminator after the finished item has been removed.

PRE-TREATING BOARDS

You may wish to pre-coat mounting boards ahead of time with PSA mounting film.

To pre-treat boards:

1. Load the laminator as shown in Fig 6-19.
2. Adjust the roller pressure handle to the proper mounting setting.
3. Start a leader board into the rollers.
4. Press **RUN** or the **Foot Switch**.
5. Continue feeding one board after another.
Tip: Butt the leading edge of the next board to the trailing edge of the previous one to ensure an even application of film.
6. Press **STOP** when the last board exits the machine.

MOUNTING ONLY

This process requires a decalced item with PSA mounting adhesive. Refer to the To run the second pass instructions in the Decaling In Two Passes section of this chapter. An alternative method is to use a PSA pre-treated board, which is described in the Mounting and Overlamination section.

FILM ALIGNMENT AND TENSION

FILM ALIGNMENT

The top and bottom supply rolls must be aligned as closely as possible. Misalignment can cause adhesives to stick to the rollers.

To align the supply rolls:

- Use a ruler to measure the distance between the left edge of the roll to the side frame.
- Measure the distance between the right side of the roll to the side frame.
- Shift the roll side to side to ensue that the two measurements are equal.

FILM TENSION



Fig. 6-21. Arctic Titan 1040 WF c Tension Adjustment Knobs and Motor

Proper film tension, known as brake tension, is the minimum amount required to eliminate wrinkles in the finished item. As the film roll becomes smaller, tension increases, thus the adjustment needs to be loosened. Film tension should be checked occasionally to assure that the adjustment is correct.

The film should be taut with no gaps between the film and pressure rollers. A properly adjusted roll of film should not require excessive force to turn by hand. Film tension should be enough to introduce a minor amount of drag as the film unrolls. Insufficient tension causes wrinkles, while too much tension causes stretching (necking). Uneven tension between the top and bottom rolls create curl. Too much upper tension creates upward curl. Too much lower tension bottom causes downward curl.



Fig. 6-22. Arctic Titan 1064 WF c Tension Adjustment Knobs

The machine is equipped with external tension knobs and a tension motor (Arctic Titan 1040 WF c) located on the left side. Turning the knobs clockwise increases the tension while counterclockwise decreases the tension.

Arctic Titan 1040 WF c REWINDER



Fig. 6-23. Arctic Titan 1040 WF c Rewinder and Power Switch

A. Rewinder Power Switch (Figure 6-23)

The Arctic Titan 1040 WF c rewriter motor applies tension and pulls the release liner. The switch should be turned off when not in use.

The rewriter can be left off when the take-up is not needed such as when mounting items.

TESTING THE WEB

After webbing the machine, it is important that the films run straight and evenly.

To test the web:

1. Set the roller pressure handle to an appropriate position.
2. Press **RUN** or the **foot switch** and run approximately 6 in. (10 cm) of laminate.
3. Press **STOP** or release the **foot switch**.
4. Visually inspect the top and bottom films where they enter the nip. The films should be tight against the rollers at both ends. If they are not, use the tension adjustment knobs to tighten the loose supply film brake test.
5. Ensure that the release liner take-up is keeping the liner tight against the idler bar. For the Artic Titan 1040 WF c, use the upper film supply tension knob to properly tension the release liner. For the Artic Titan 1064 WF c use the rewind tension knob to properly tension the release liner.
6. Run test materials before laminating good materials.

CLEARING A FILM JAM (WRAP-UP)

Film jams (wrap-ups) may occur if the film is loaded backwards or if the area at which film exits the equipment is blocked. The film, when jammed, wraps around the rollers. Jams also occur if something is too large to pass through the rollers.

Determine the best course of action to clear the jam. It may be necessary to rotate the rollers in the reverse direction. Set the speed to min. Press and hold **REVERSE** on the control panel.

CAUTION: Be careful to not cut the pressure rollers when cutting the film. Failure to observe this notice can result in damage to the rollers.

To clear a jam:

1. Immediately press **STOP** to stop the machine.
2. Remove the print clamp (Artic Titan 1064 WF c) and feed tray.
3. Do one of the following.
 - a. Pull one of the webs while running the laminator in reverse.
 - b. Cut the film near the rollers, set the pressure adjustment to Release, and pull the film out the back of the machine.
 - c. Cut the film near the rollers, set the pressure adjustment to Release, grasp the loose ends of the web, and pull straight out the front of the machine.
4. Replace the print clamp (Artic Titan 1064 WF c) and feed tray.
5. Re-load the film if necessary. See the Loading Film section in this chapter.

6. LAMINATION GUIDE

This manual provides general guidelines and is only a general reference guide. Different settings may be suitable as the lamination time and materials change. Test materials before running good materials through the machine.

- Do not attempt to laminate abrasive or metal objects such as staples, paper clips and glitter, as they may damage the rollers.
- Do not force items into the nip area of the rollers. An item that is not easily drawn into the laminator by the rollers is probably too thick to laminate.
- Wrinkles may result if an attempt is made to reposition an item once it has been grasped by the rollers.
- Do not stop the laminator before an item has completely exited the pressure rollers. Even a momentary stop may cause a mark on the laminated item.
- Good, consistent lamination is a result of combining proper tension and roller pressure.
- Do not combine thick and thin items at the same time, as this will result in a poor edge seal around the thinner material.

OPERATOR MAINTENANCE

CARING FOR THE Artic Titan 1040 WF c OR 1064 WF c LAMINATOR

The only maintenance required by the operator is to periodically clean the rollers. The following procedure will help keep them free of dirt and adhesive, which has been deposited along the edge of the laminating film. Proper alignment of the rolls of film reduces the amount of adhesive on the rollers. Perform only the routine maintenance procedures referred to in these instructions.



WARNINGS:

- Do not attempt to service or repair the laminator.
- Do not apply any cleaning fluids or solvents to the rollers. Some solvents and fluids could damage the rollers.
- Keep fingers and hands away from the rollers when the machine is running. They could be trapped and crushed in the rollers. Clothing, jewelry, and long hair could be caught in the rollers and pull you into them.

Failure to observe these warnings could result in severe personal injury or death or damage the machine.

CLEANING THE ROLLERS

Keeping the rollers clean ensures that your finished items will not be damaged by dirt and adhesives. Clean the rollers with a clean, damp lint free cloth. If there are any adhesive build ups, you may use isopropyl alcohol instead of water.

- Never clean rollers with abrasive, sharp, or pointed objects.
- Do not use any other cleaning agents other than those listed above.
- Accumulated adhesive deposits on the rollers can cause damage to the rollers. Rotate the rollers at the lowest speed setting on the control panel.

To clean the rollers and idler bar:

1. Remove the print clamp (Artic Titan 1064 WF c) and feed table. Refer to Removing and Installing the Print Clamp (Artic Titan 1064 WF c) and Removing and Installing the Feed Table in the Operation chapter.
2. Remove the film from the laminator. Refer to Loading Film onto the Supply Shafts in the Operation chapter.
3. Use the dampened rag to remove any dust, dirt, and other foreign materials from the rollers.
4. Press and release the foot switch to rotate the rollers to an unclean portion. Keep your hands, fingers, pad, and rag away while running the machine. Be sure to remove all adhesive and dirt.
5. Install the feed table and print clamp (Artic Titan 1064 WF c).

TROUBLESHOOTING

SYMPTOM	POSSIBLE CAUSE	CORRECTIVE ACTION
Power lamp does not illuminate on the control panel when the ON/OFF switch is in the ON position.	Laminator not connected to electrical supply.	Insert attachment plug into receptacle.
Rollers do not turn.	Infrared eyes blocked. Feed tray interlock latch not in place.	Unblock infrared eyes. Slide interlock latch all the way to the left into the side frame.
Laminated items are curling.	Tension between the top and bottom film roll is unequal. Grippers on core adaptors pointing in the wrong direction. Speed setting too slow.	Adjust tension per <i>Film Tension section</i> . Load film per <i>Loading Film Onto the Supply Shafts section</i> . Slightly speed up laminator
Adhesive deposited on rollers.	Top and bottom film webs not aligned. Laminate improperly loaded.	Align film webs per <i>Film Alignment section</i> . Load film per <i>Loading Film section</i> .
Unsatisfactory laminate adhesion.	Insufficient roller pressure. Laminate improperly loaded. Rollers require cleaning. Laminated item unsuitable for adhesion.	Adjust the roller pressure. Load film per procedure outlined per <i>Loading Film section</i> Clean rollers per <i>Cleaning the Rollers section</i> . Item may be dirty or may have nonporous surface that is extremely difficult to laminate.