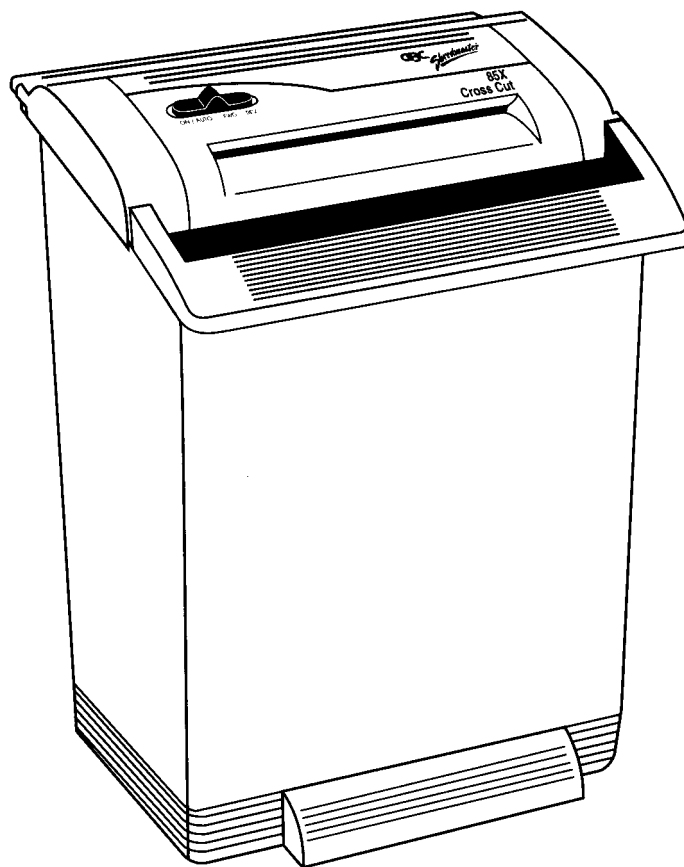




## 85x-1 Personal Shredder



COPYRIGHT 2000

No part of this publication  
may be reproduced in any  
form without expressed  
written permission from

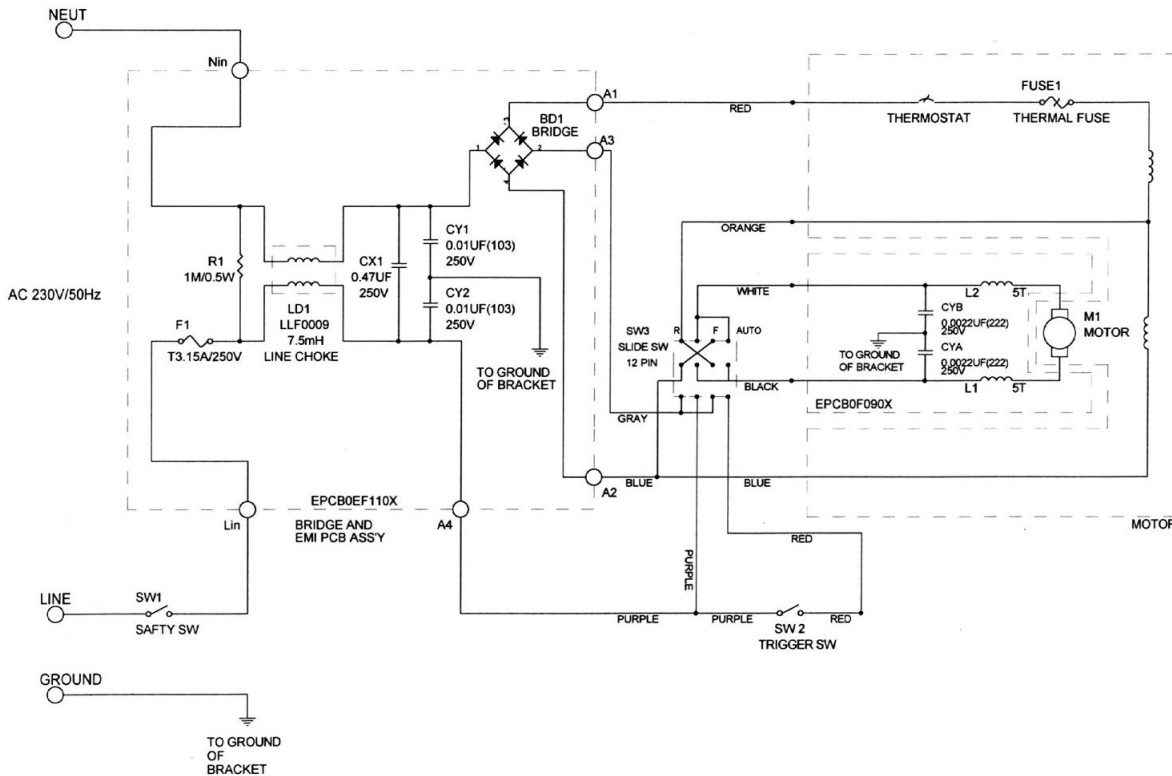
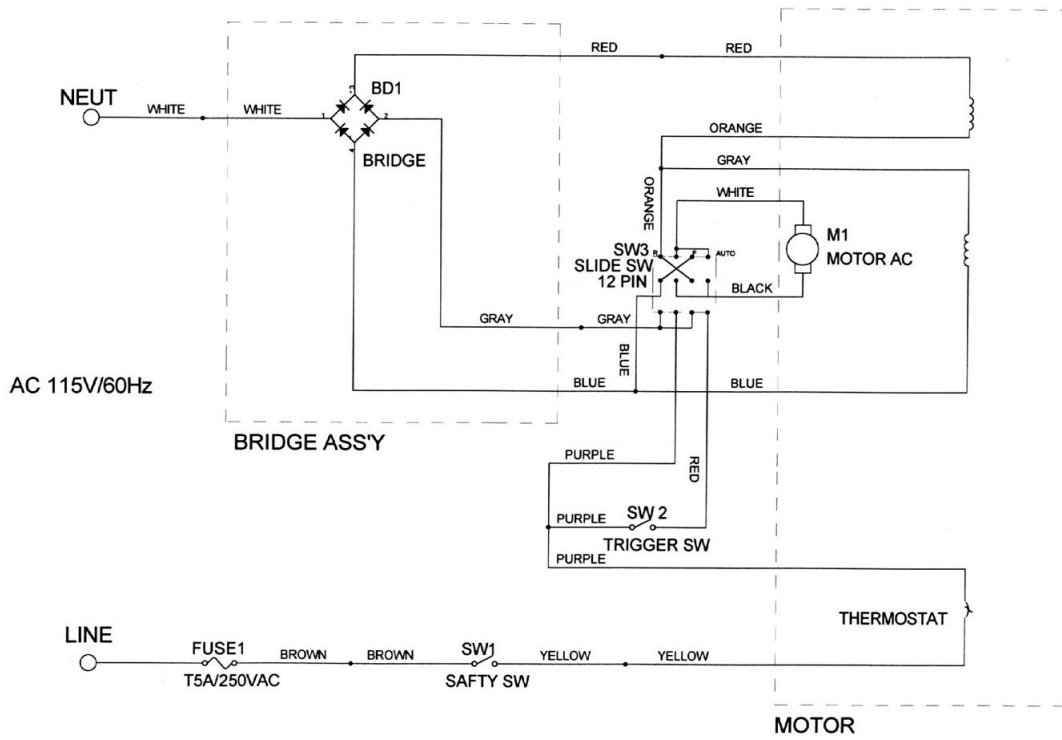
General Binding Corporation

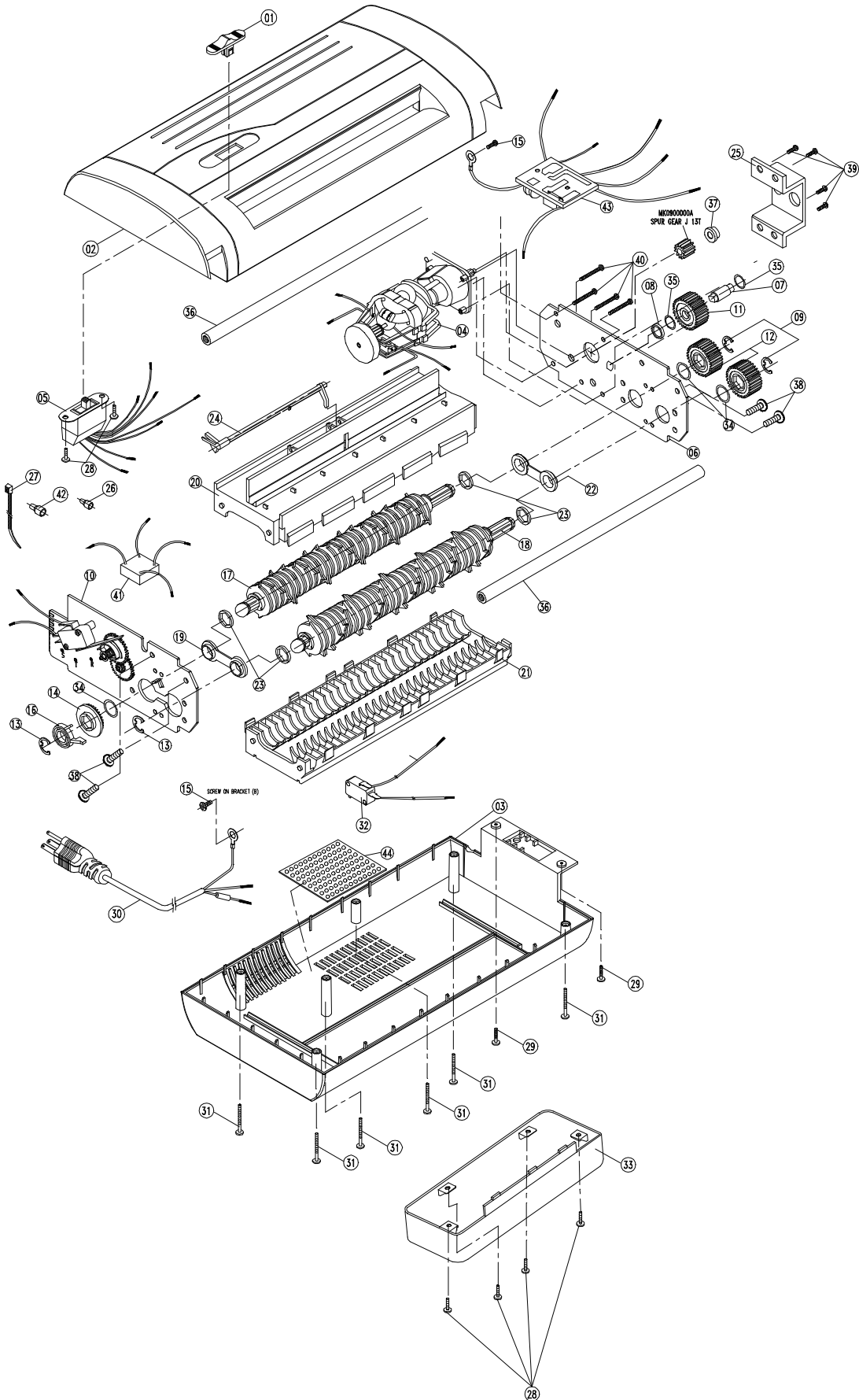


Printed in the USA.

	Page
2.0 Specifications	4
5.0 Wiring Diagram	5
8.0 Parts List	6 -7
9.0 Recommended Spare Parts List	8

<b>Required Power Supply:</b>	115 VAC @ 60Hz, 2.2 Amps	230 VAC @ 50Hz, 1.1 Amps
<b>Shredding Speed:</b>	6 ft./min.	1.8 Meters/Min.
<b>Shred Width:</b>	5/32x 2 "	4x 50mm
<b>Sheet Capacity:</b>	7-8 sheets of 20# bond paper	7-8 sheets of 70gm/m
<b>Duty Cycle:</b>	3 min. on (continuous), 25 minutes off	3 min. on (continuous), 25 minutes off
<b>Throat Width:</b>	9"	230mm





*	-	S1RYN00000	Screw #3x8 Tap. Basket Foot (A)	2	2
*	1750259	PR230EOE1A	Basket Foot (A)	1	1
*	1750252	ASYMO4940A	80s Basket Ass'y	1	1
44	-	XP8300000A	Insulator	0	1
43	-	ASYM10676X	EMC PCB Assy.	0	1
42	-	ECNTO46000	Close End Connector C4	3	0
41	1752452	ASYMO9770X	DC Power Ass'y	1	0
40	-	S1YBF0000E	Screw M4x47 B Gear Washer	4	4
39	-	S1VGF0000E	Screw M4x8 P Gear Washer	4	4
38	-	S1VFF0000E	Screw M5x10 B Gear Washer	4	4
37	1752443	MZ3600000A	Bushing (C)	1	1
36	1752442	MZ4600000A	Supporter	2	2
35	1752441	XJ6900000A	Spacer 12.2 T=0.5	2	3
34	1752440	XF2700000A	Spacer 22x16x0.5	3	3
33	1750338	PW010JOESA	Safety Plate 85x	1	1
33	-	ASYM106575A	Safety Switch Assy	0	1
32	1750275	ASYMO4933A	Safety Switch Assy	1	0
31	-	S1ACN00000	Screw #3x20 "P"	6	6
30	1752451	EACC0734SX	AC Power Cord	1	0
29	-	S6B6Z00000	Screw #3x10 Tap	2	2
28	-	S1U3F00000	Screw #3x6 Tap	6	6
27	-	EOTH022100	Cable Tie	5	5
26	-	ECNTO25100	Close End Connector C3	4	4
25	1752438	MZ4300000A	Gear Holder	1	1
24	1750313	PH790B2ESD	Auto Parts	1	1
23	1752437	MZ3500000A	Bushing (B)	4	4
22	1752433	MAB300000A	Bushing 4.9T	1	1
21	-	PBATXXXXXX	Paper Guide (B)	0	1
21	1752450	PR56XXXXXX	Paper Guide (B)	1	0
20	1752449	PR30XXXXXX	Paper Guide (A)	1	1
19	1752436	MAB200000A	Bushing 4.5T	1	1
18	1752432	ASYM10338A	Cross Cutter (B) Assy	1	1
17	1752431	ASYM10337A	Cross Cutter (A) Assy	1	1
16	1752430	PK970HOXXB	Rev-Cam	1	1
15	-	S1V7F0000E	Screw M4x6 Eto & Gear Washer	1	1
14	1752429	PAICHOXXA	Auto Gear 32T	1	1
13	-	ME85000000	#12 E-Ring	2	2
12	-	MALROXXXXX	Gear-19T (H)	0	2
12	1752428	MAACOXXXXX	Gear-20T (H)	2	0
11	-	MALNOXXXXX	Gear-22T (H)	0	1
11	1752427	MAAD00000A	Gear-22T (H)	1	0
10	-	ASYM10686A	Bracket (B) Assy	0	1
10	1752448	ASYM10400X	Bracket (B) Assy	0	1
9	-	MC46000000	#12 E-Ring	2	2
8	1752425	MAB400000A	Spacer 3.0	1	1
7	1752424	MZ4700000A	Gear Shaft #11	1	1
6	1752423	MZ4200000B	Shaft Bracket (A)	1	1
5	-	ESWCO3310A	Slide Switch	0	1
5	1752403	ESWCO3250A	Slide Switch	1	1
4	1752447	ASYP10684X	DC Motor & Gear Box 230v-240v/50Hz	0	1
4	1752446	EMTRO1700X	DC Motor & Gear Box 115v/60Hz	1	0
3	1752445	PR65XXXXXX	Bottom Cover 85x-1	1	1
2	1752444	PR64XXXXXX	Top Cover 85x-1	1	1
1	1750306	PB110A1E0C	Slide Knob (UL)	1	1
<b>ITEM</b>	<b>PRT NO.</b>	<b>REF. NO.</b>	<b>DESCRIPTION</b>	<b>115V</b>	<b>230V</b>

\* Not Shown

			QTY	
<b>PRT NO.</b>	<b>REF. NO.</b>	<b>DESCRIPTION</b>	<b>115V</b>	<b>230V</b>
1752447	ASYP10684X	DC Motor & Gear Box 230v-240v/50Hz	0	1
1752446	EMTRO1700X	DC Motor & Gear Box 115v/60Hz	1	0
-	MALROXXXXX	Gear-19T (H)	0	2
-	MALNOXXXXX	Gear-22T (H)	0	1
1752428	MAACOXXXXX	Gear-20T (H)	2	0
1752427	MAAD00000A	Gear-22T (H)	1	0

*\*Based On One Hundred Machines.*



85x-1 Assembly# 1754550 "115V"



**QUARTET**  
A **GBC** COMPANY

Skokie, IL 60077  
<http://www.gbcshredmaster.com>  
E-mail: [gbc\\_shredmaster@quartetgbc.com](mailto:gbc_shredmaster@quartetgbc.com)