

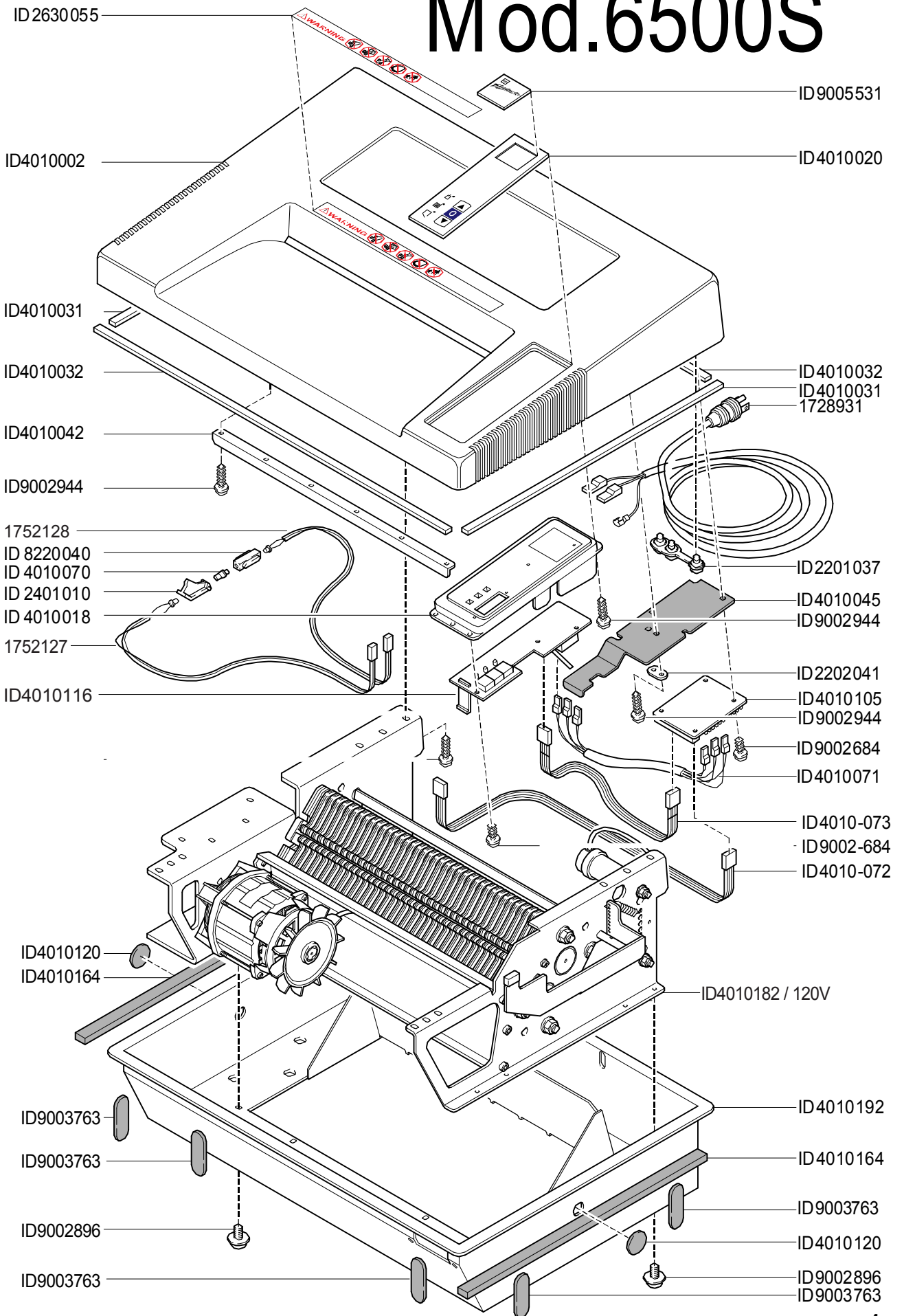


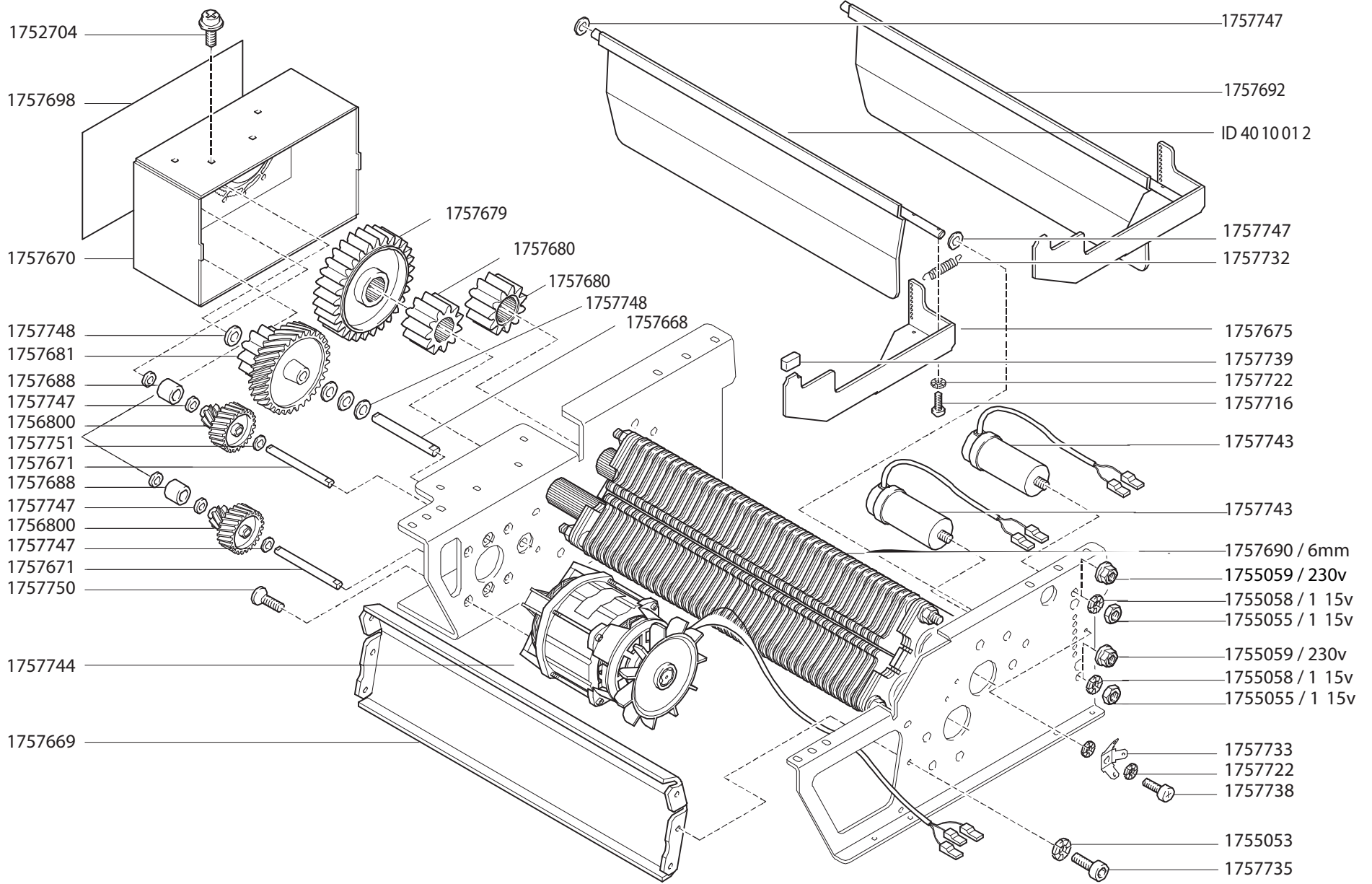
6500S PARTS LIST

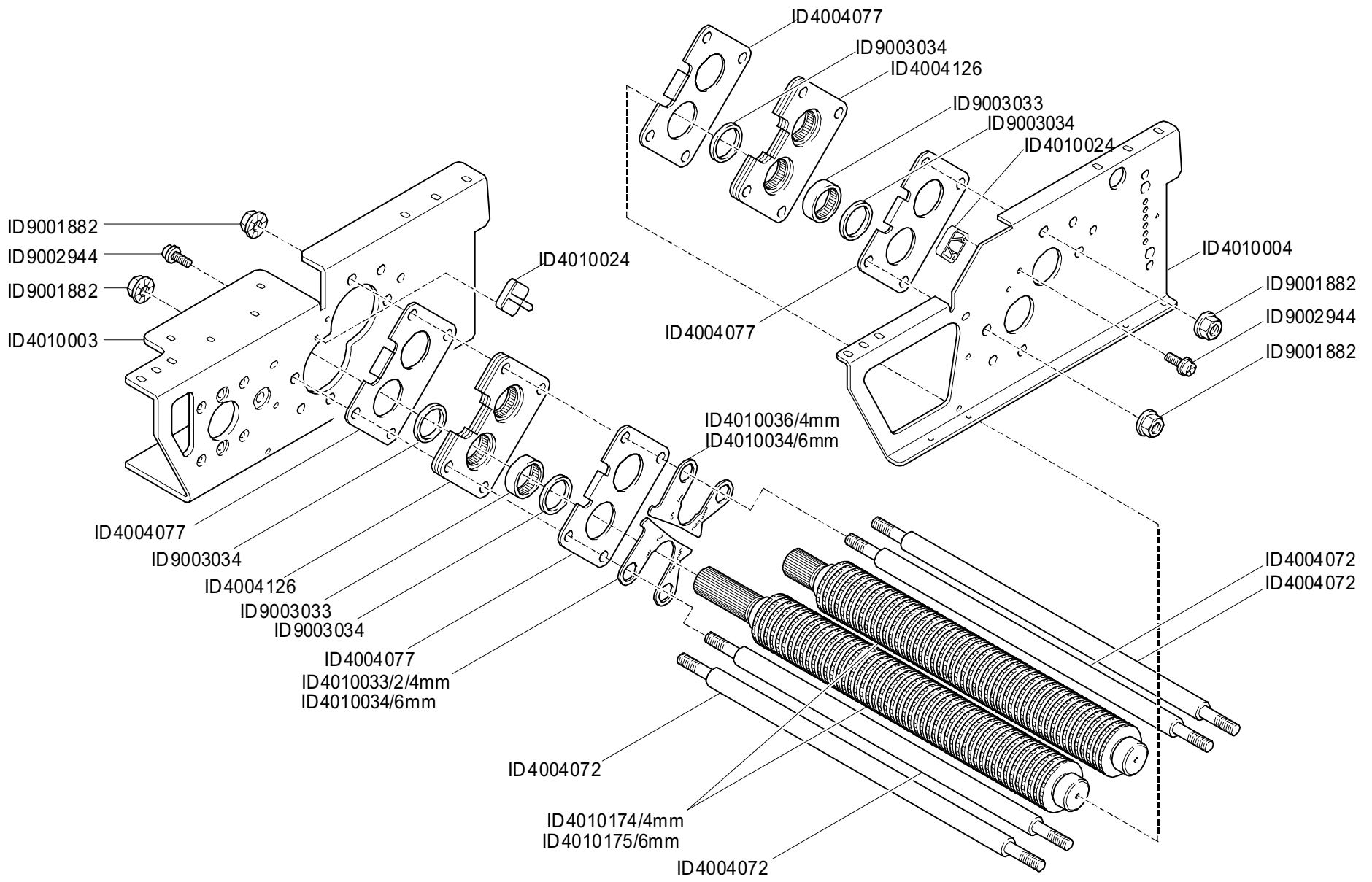


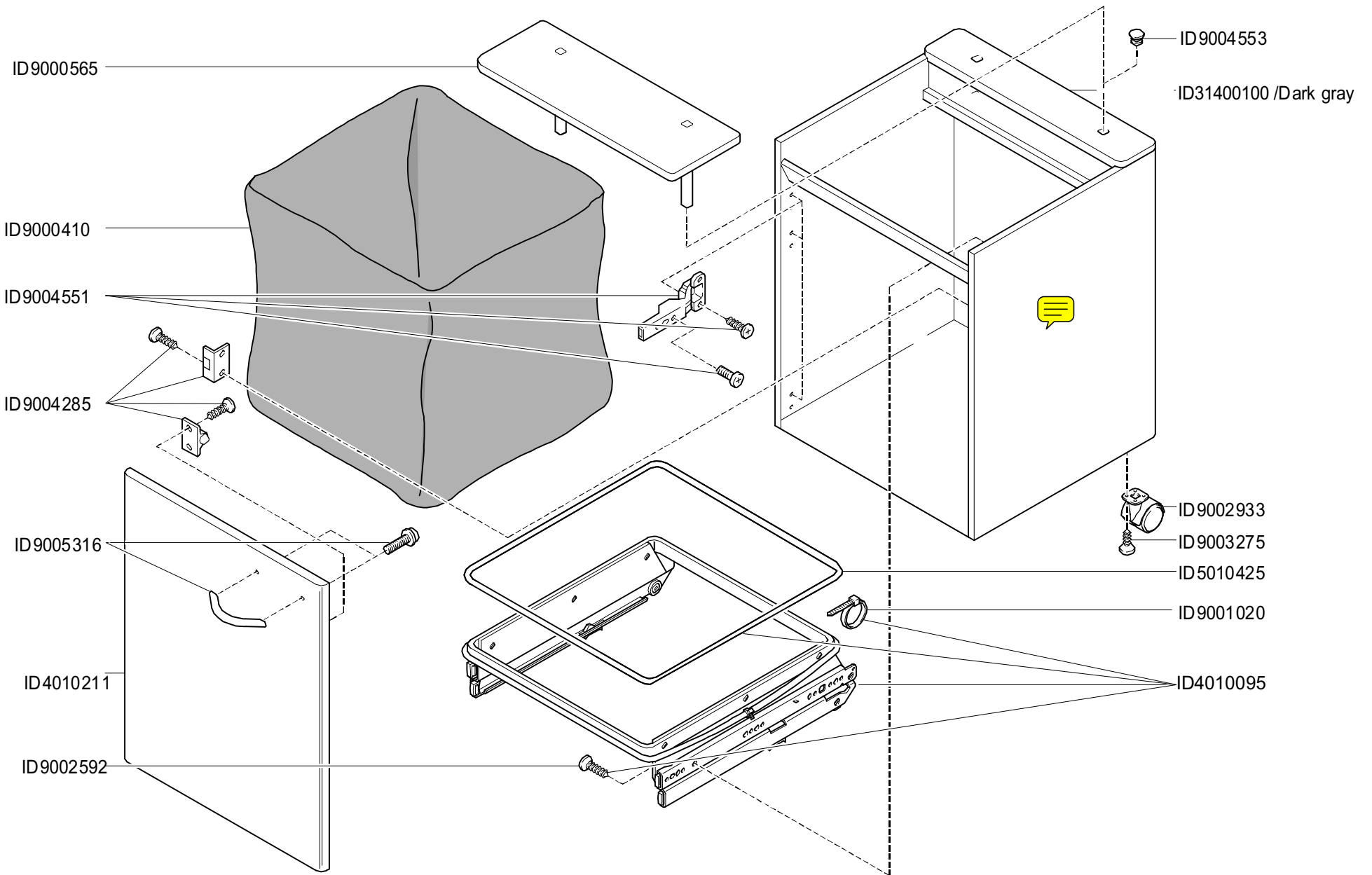
GBC IS AN ACCO BRANDS COMPANY

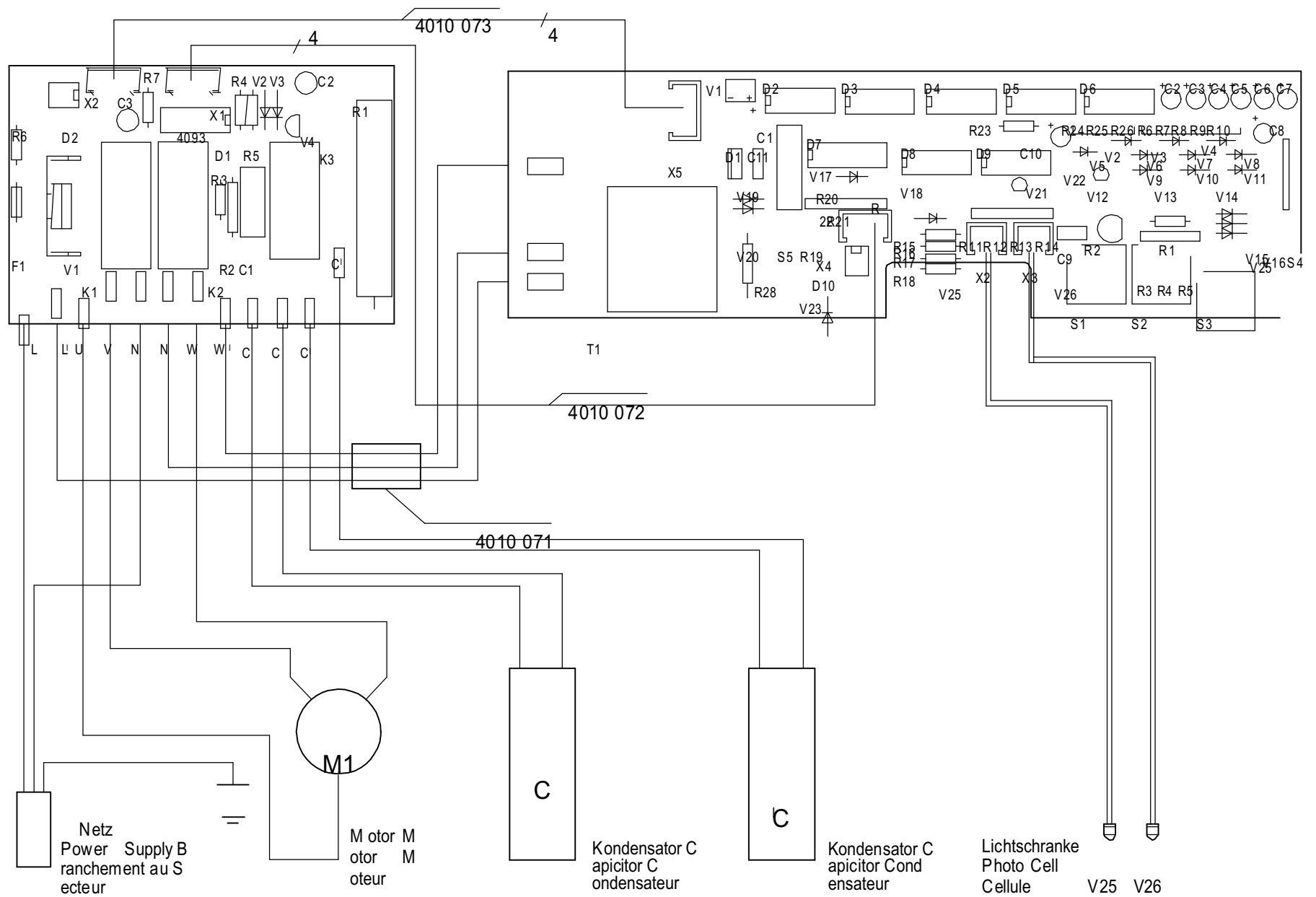
Mod.6500S



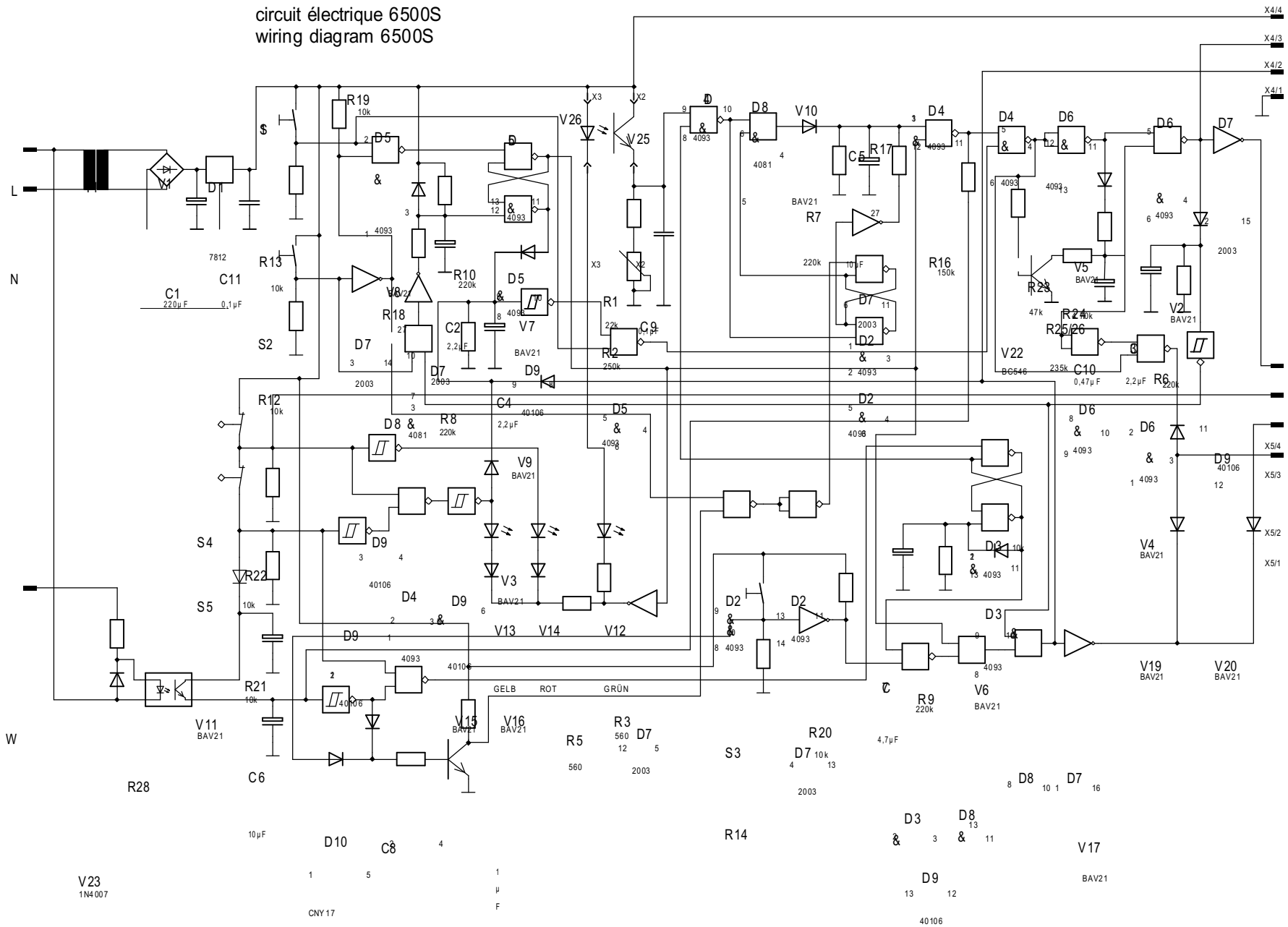








Stromlaufplan 6500S
 schema de
 circuit électrique 6500S
 wiring diagram 6500S



V23
1N4007

D10
CNY 17

V16
BAV21

R14
D7 10k

D3 & 3
D8 & 13
D9 & 12
40106

V17
BAV21

5 D3

4093
081

82

4 2003

1 R

&

9

6 4093

4

4

1

V18
BAV21

R11
10k

0

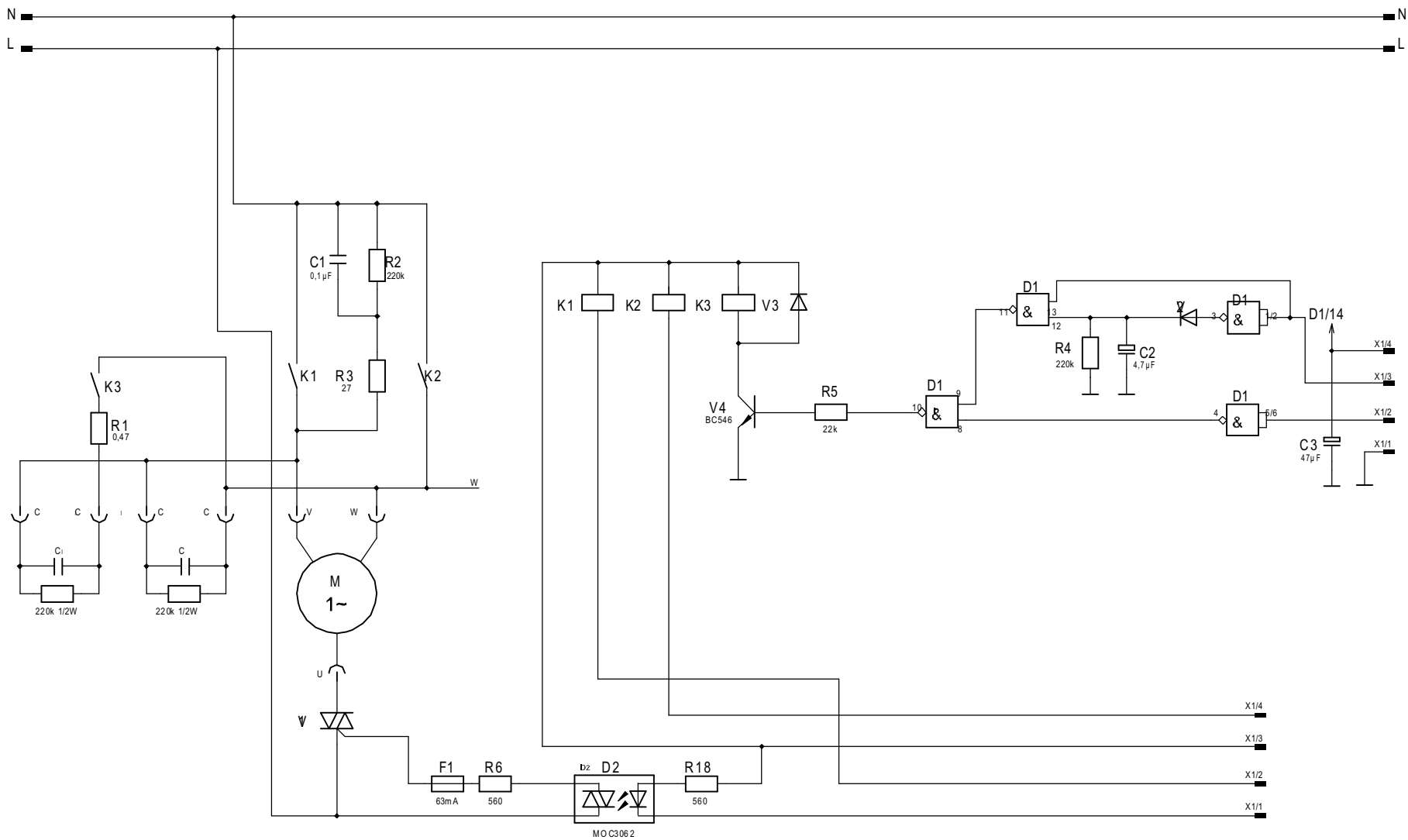
8

1

R15

47k

V21
BC546



Stromlaufplan 6500S
 schema de
 circuit électrique 6500S
 wiring diagram 6500S

TECHNICAL SERVICE & SUPPORT BULLETIN

| | | | |
|--------------|--|-------|----------|
| T.S.S.B. NO. | 13003B | DATE: | 12/12/07 |
| MODEL: | 6500S & 6550X SHREDDER MACHINES | | |
| SUBJECT: | NEW MAIN P.C. BOARD | PAGE: | 1 of 1 |

Manufacturing has implemented a new Main P.C. Board for the model 6500-S and 6550-X Shredder machines. Part number is **ID4010314**, and is used in both Shredder models. This applies for all 6500-S Shredders starting with serial number **TF31515J** and for all 6550-X Shredders starting with serial number **TF30284J**. Serial numbers prior to this will continue to use these part numbers, ID4010105 Main P.C. Board, ID4010072 Connecting Cable Large, and ID4010073 Connecting Cable Short.