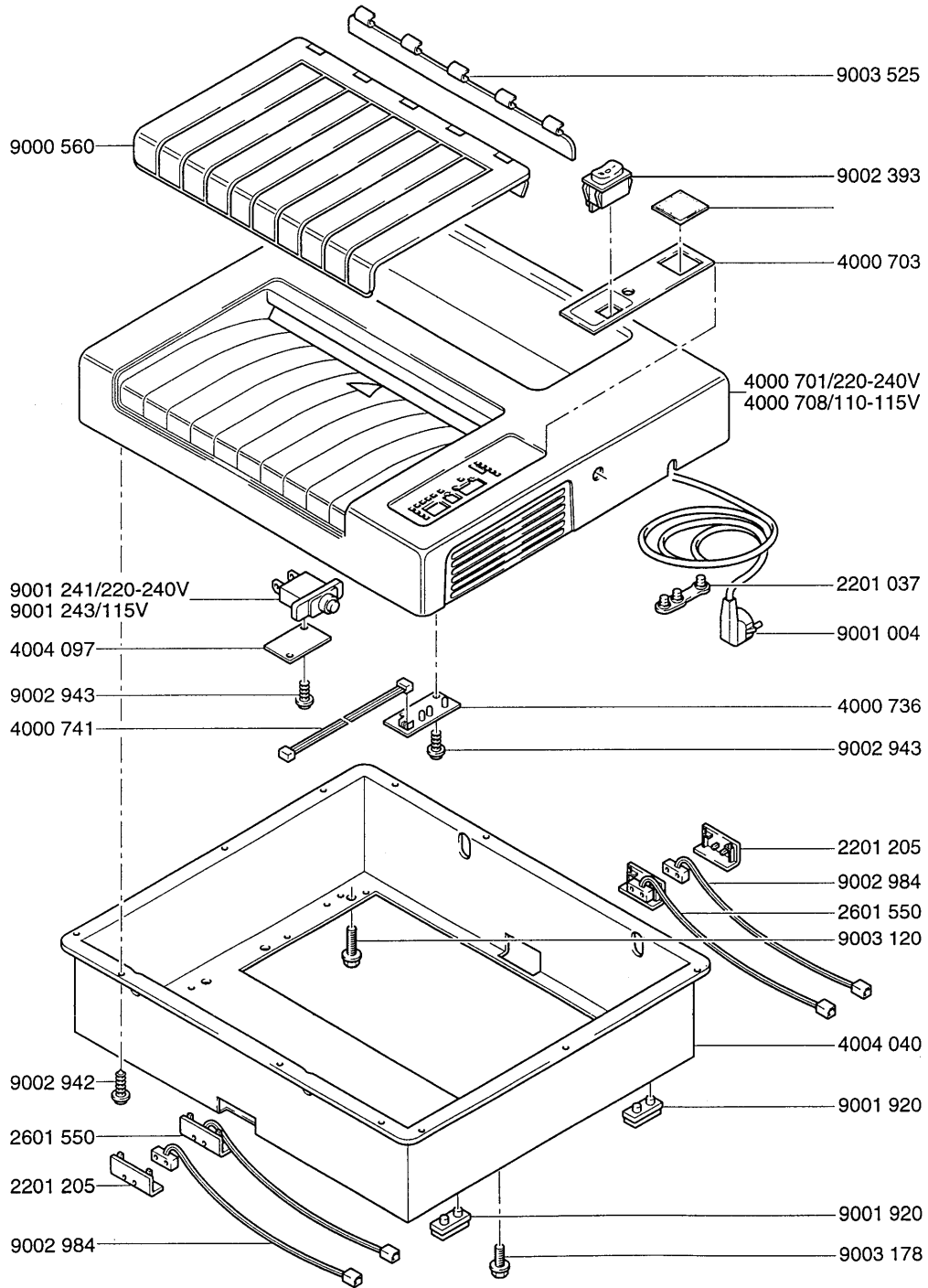


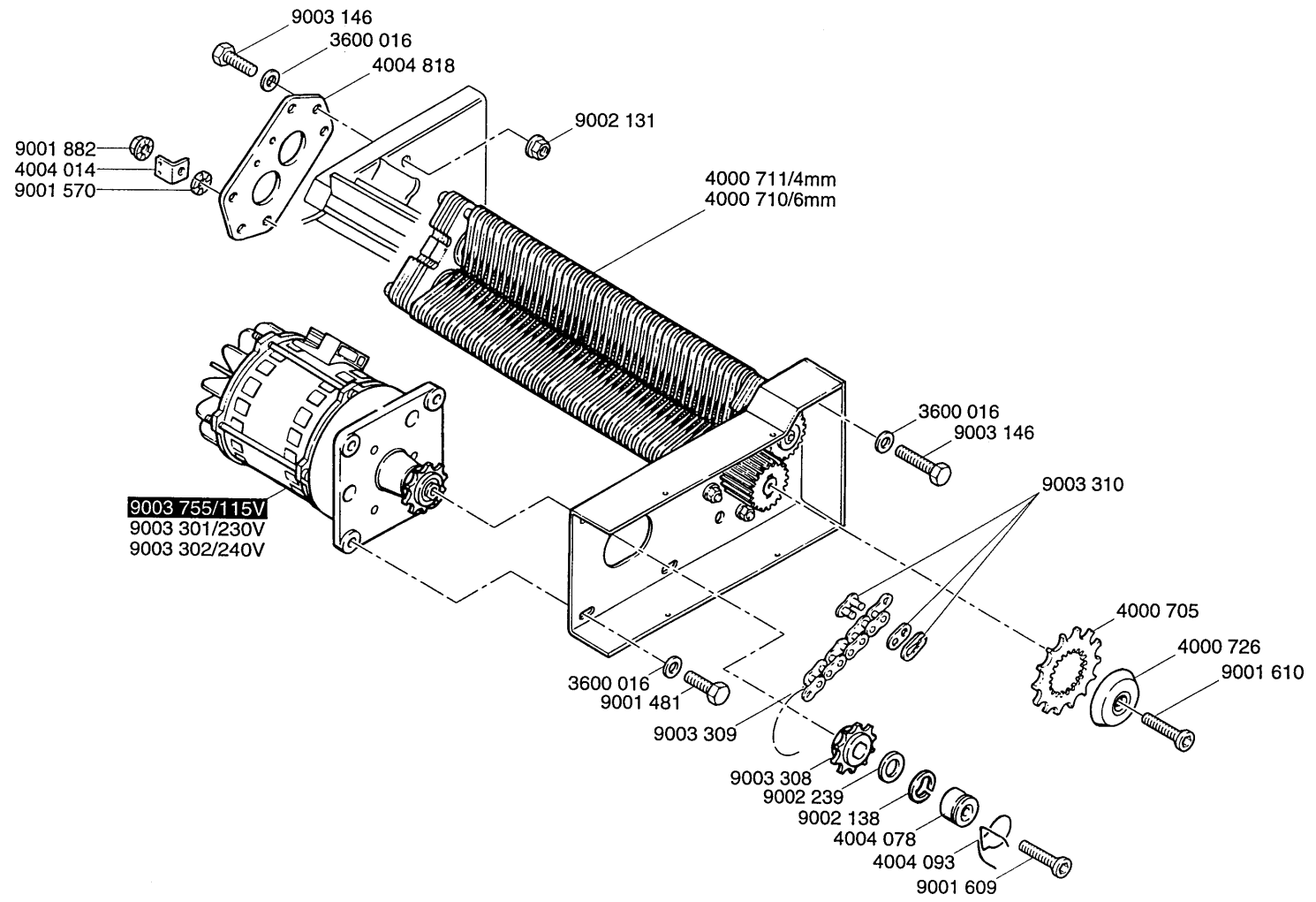
# *6120S Parts Listing*

## 8.0 6120S Parts List

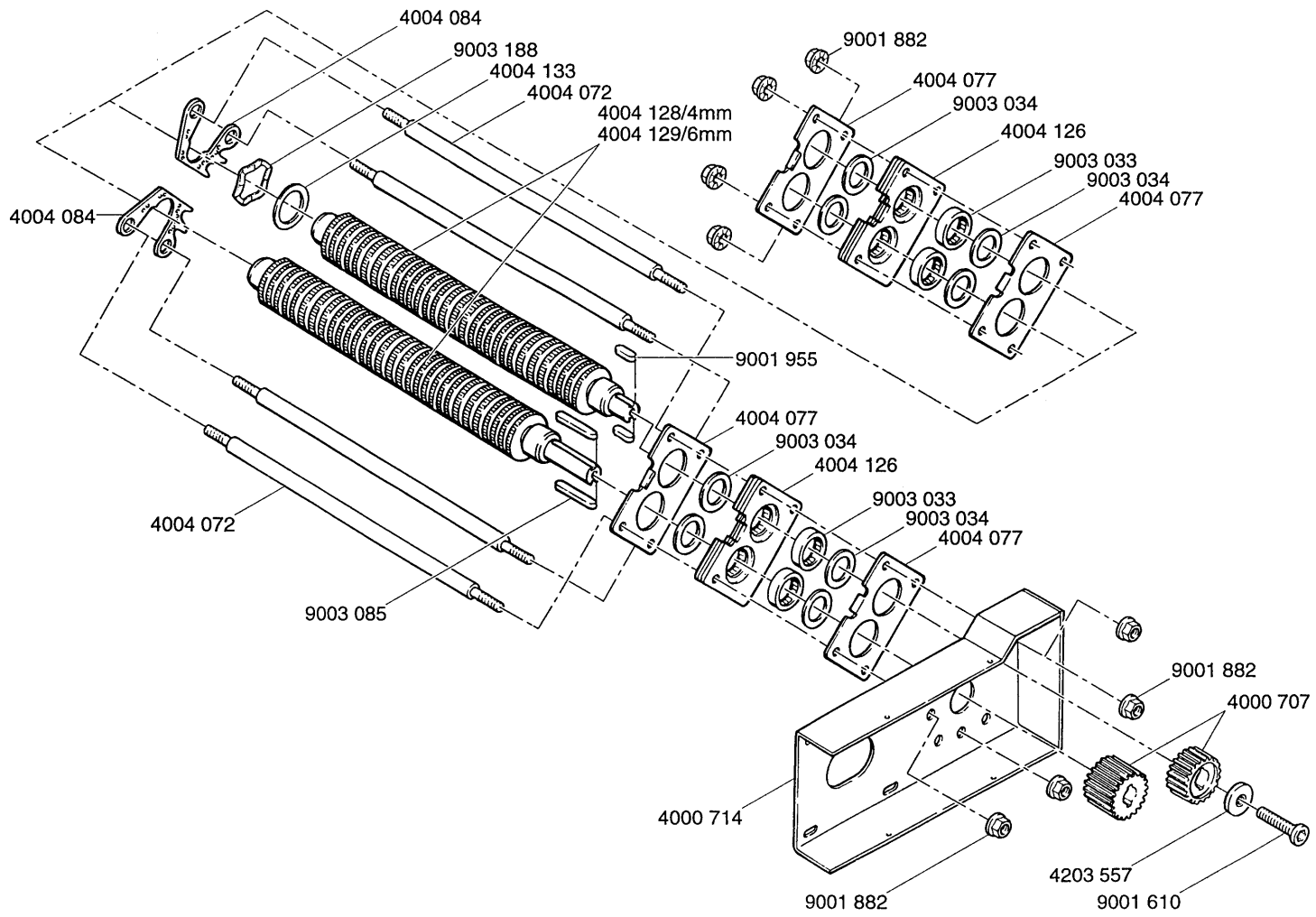
### 8.1 Upper/Lower Cover Exploded View



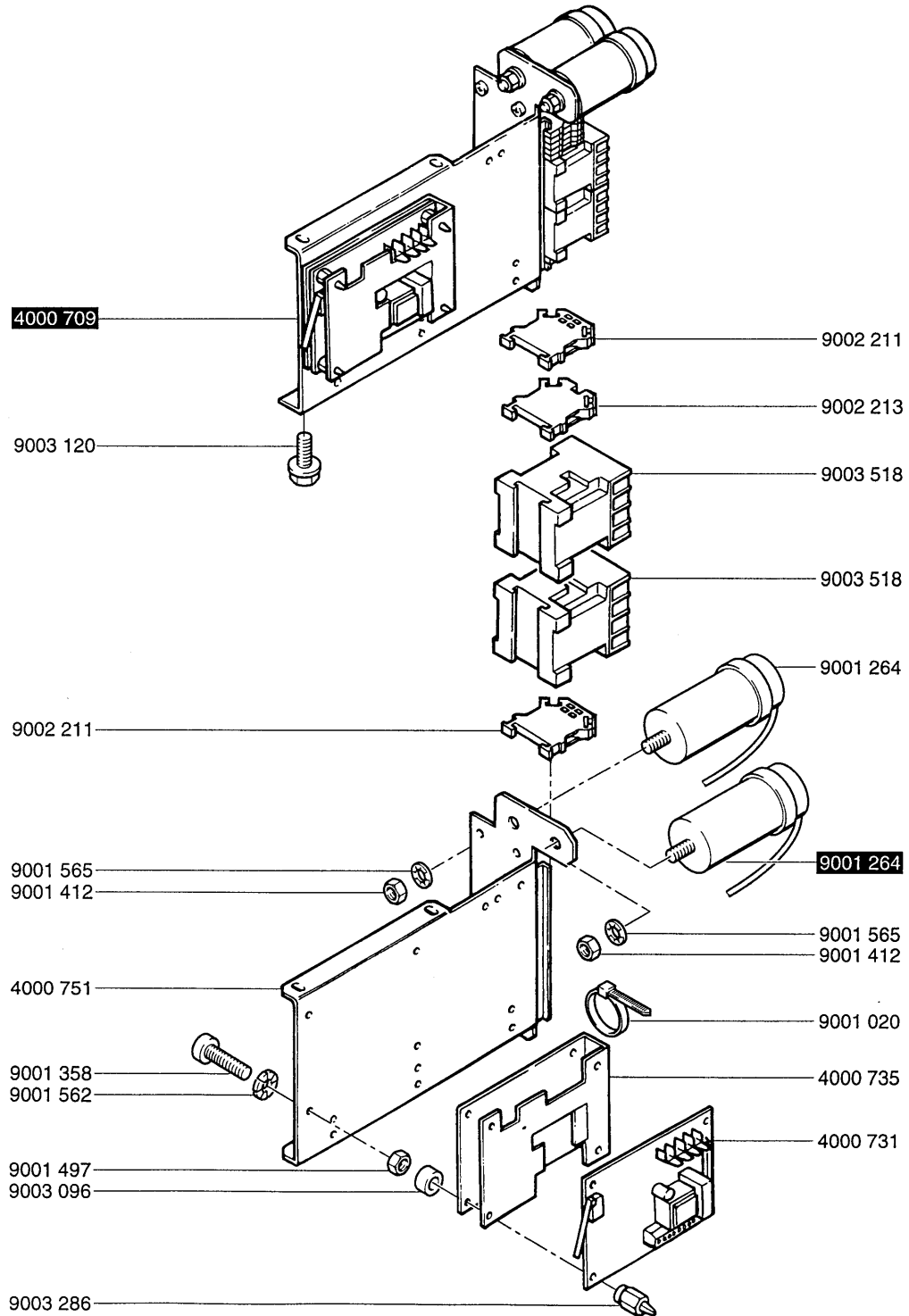
**8.0 6120S Parts List**  
**8.2 Cutter & Motor Assembly**



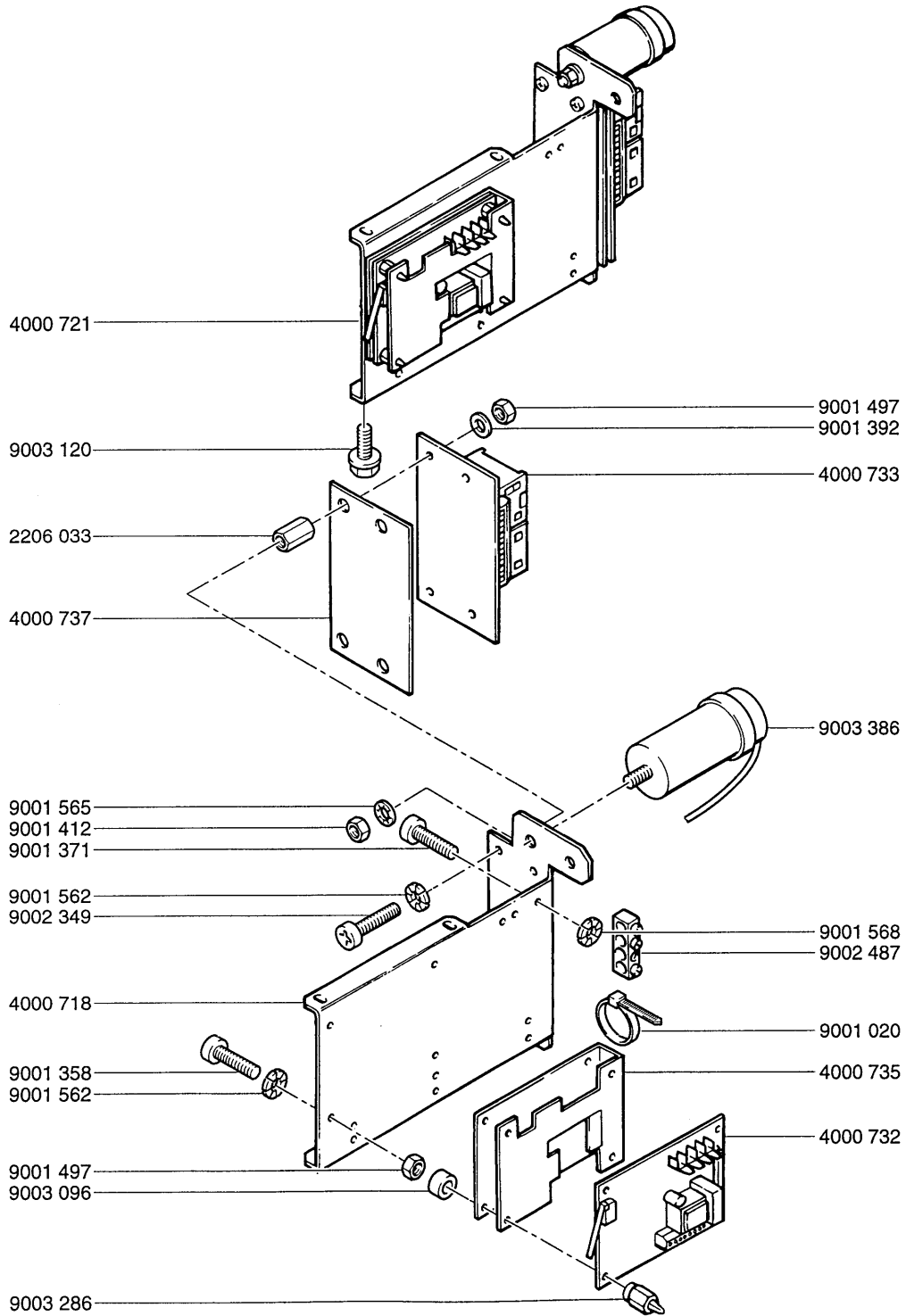
**8.0 6120S Parts List**  
**8.3 Cutting Head Exploded View**



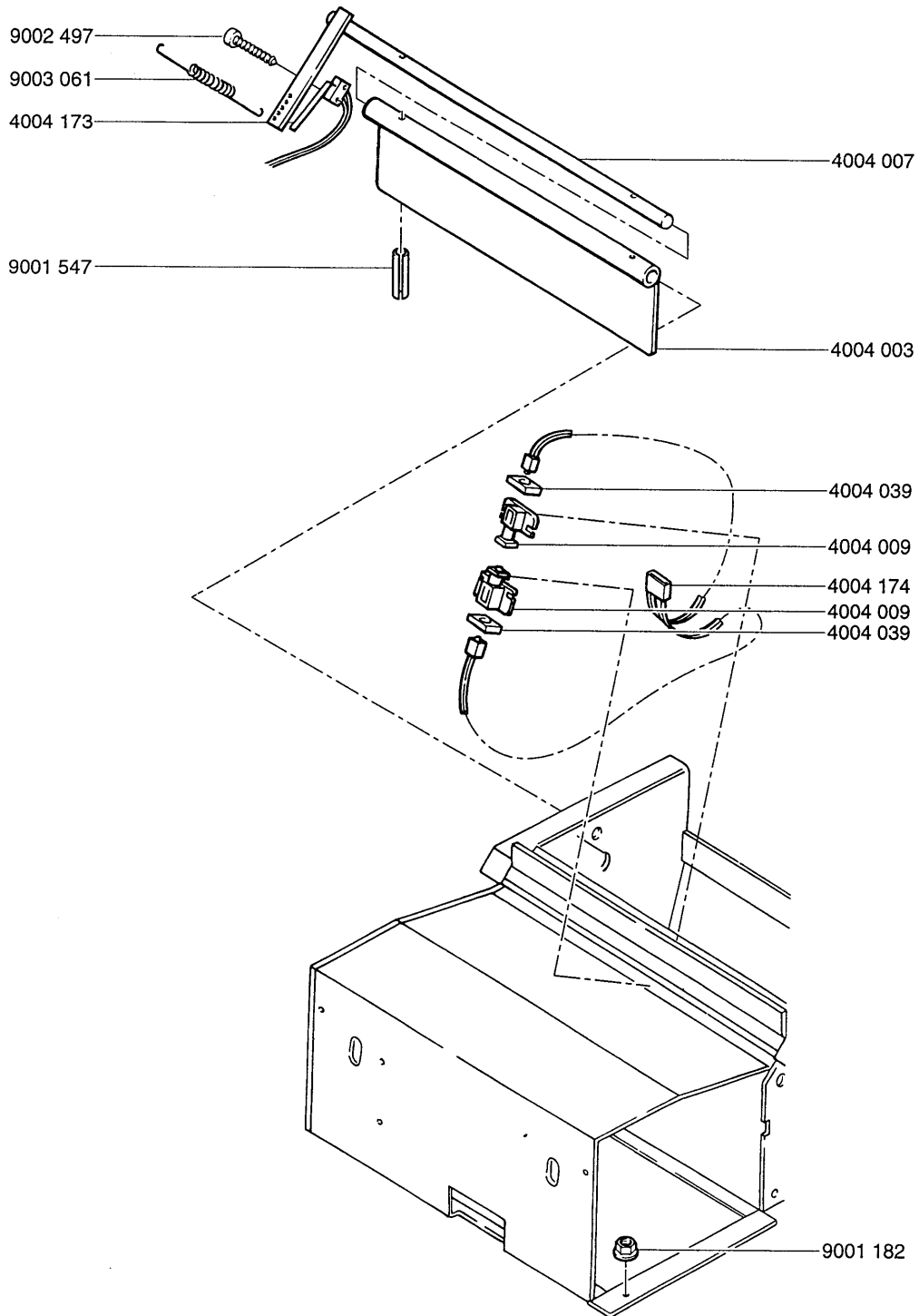
### 8.0 6120S Parts List 8.4 115V Electronic Bracket



### 8.0 6120S Parts List 8.5 230V Electronic Bracket



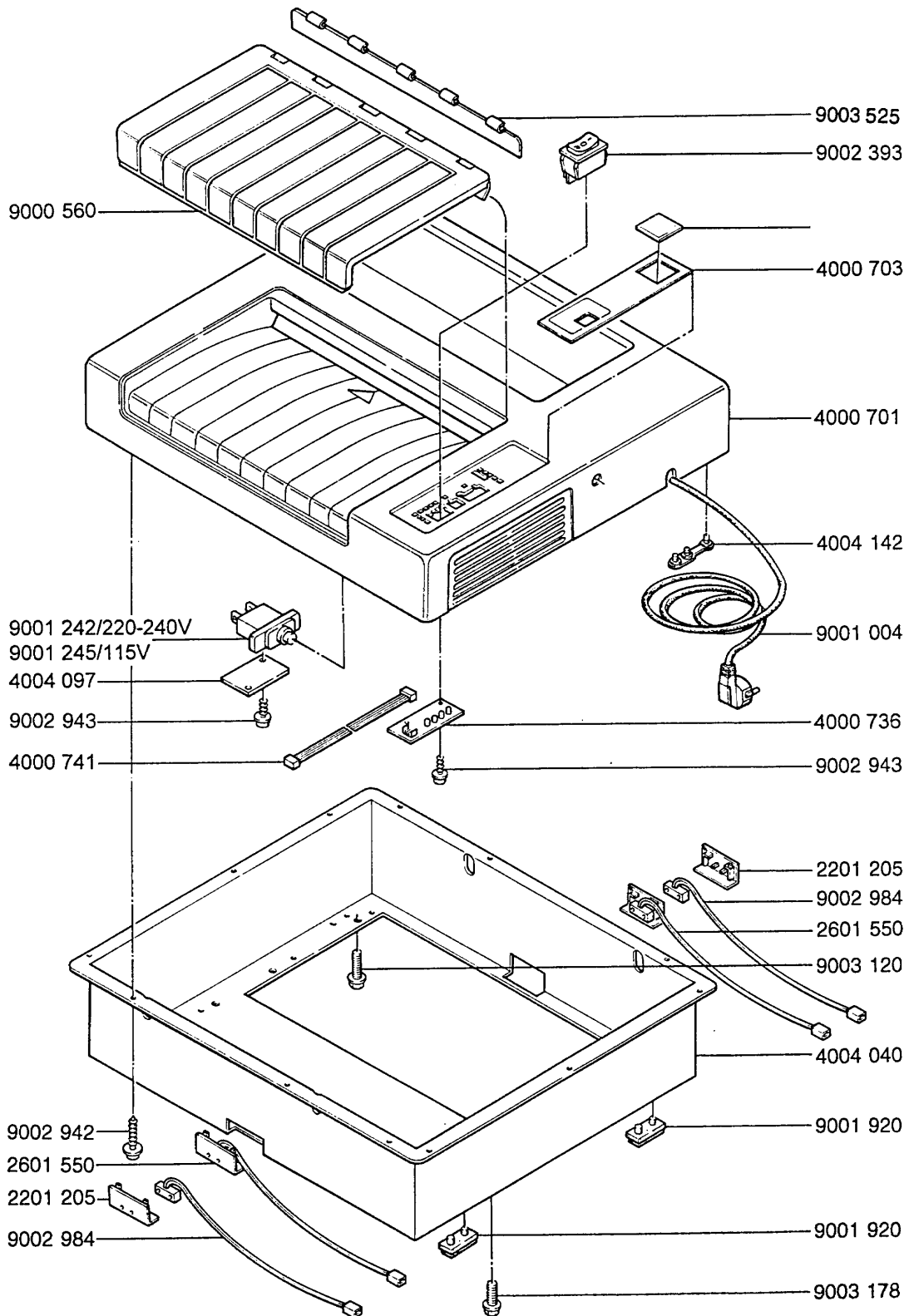
### 8.0 6120S Parts List 8.6 Emitter & Receiver



# *7120S Parts Listing*

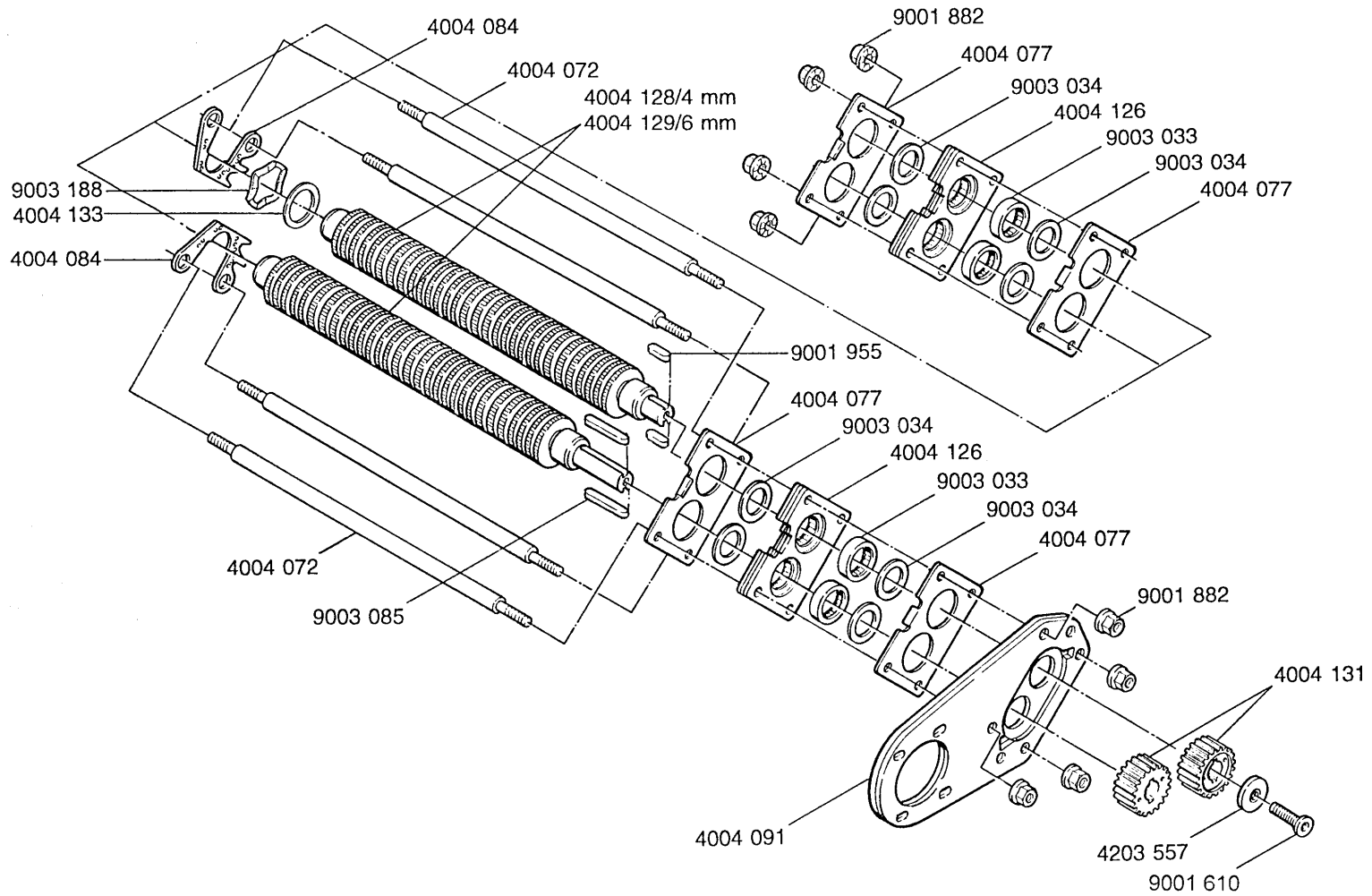


### 8.0 7120S Parts List 8.1.1 Upper/Lower Cover Exploded View

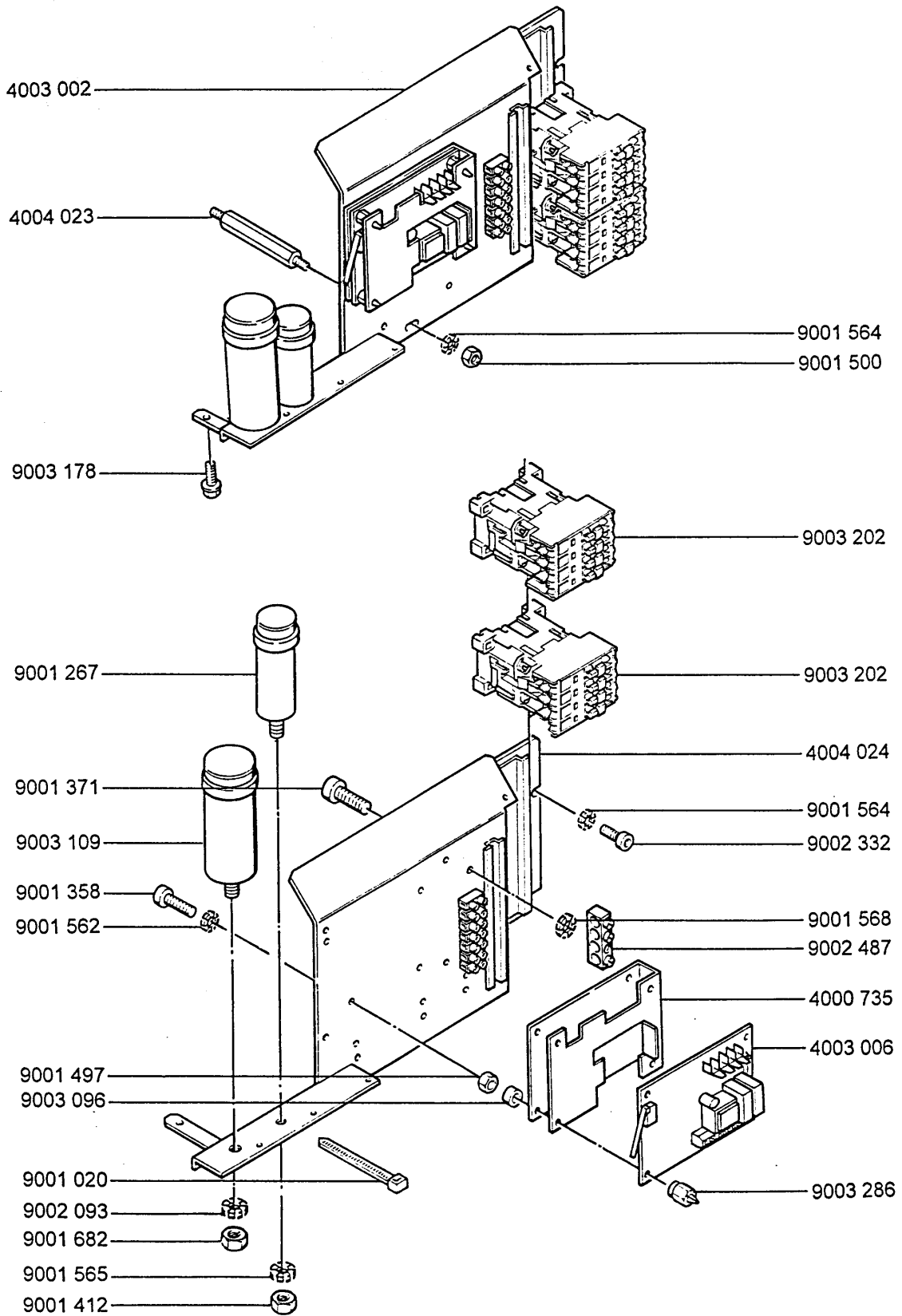




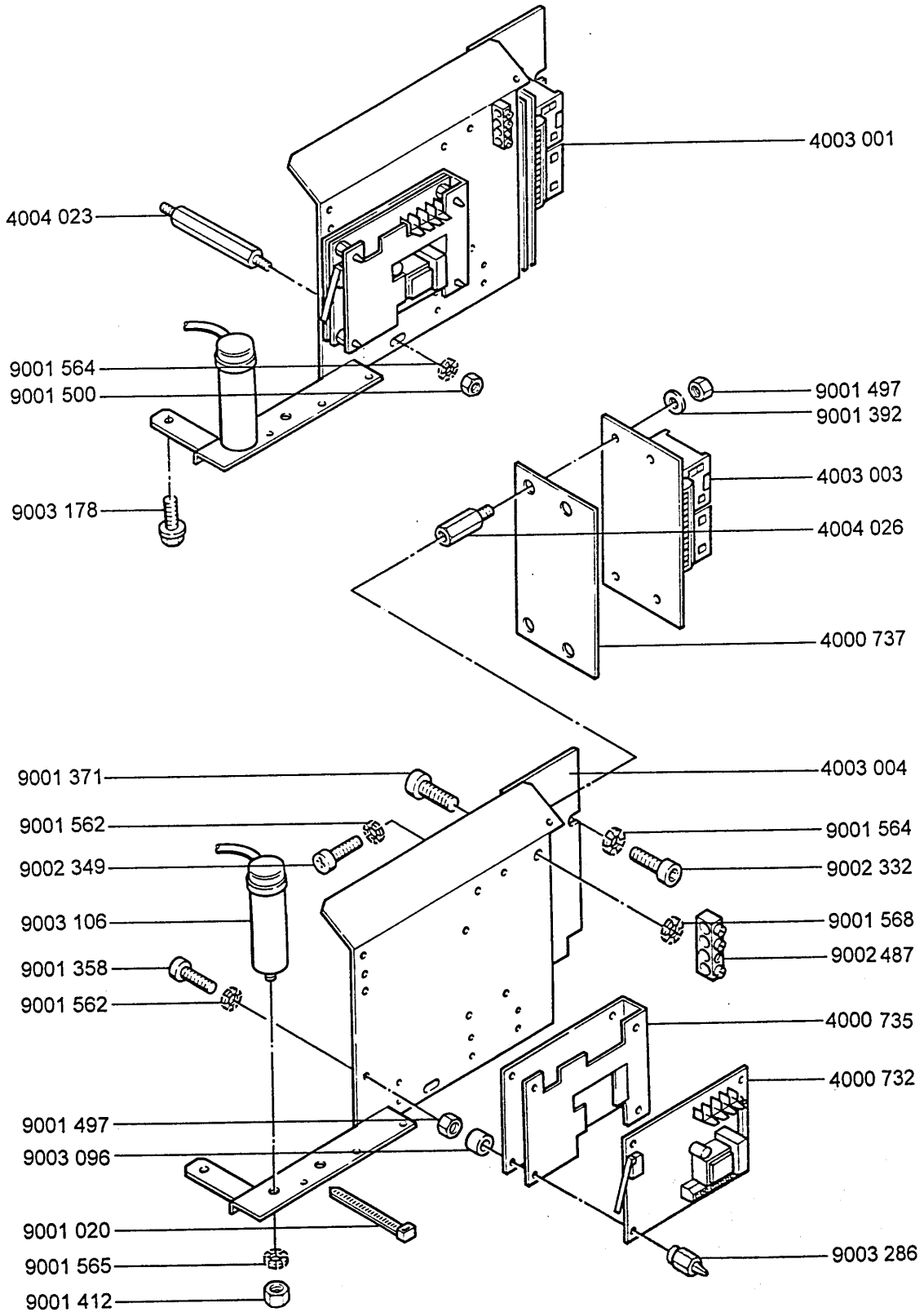
8.0 7120S Parts List  
 8.3.1 Cutting Head Exploded View



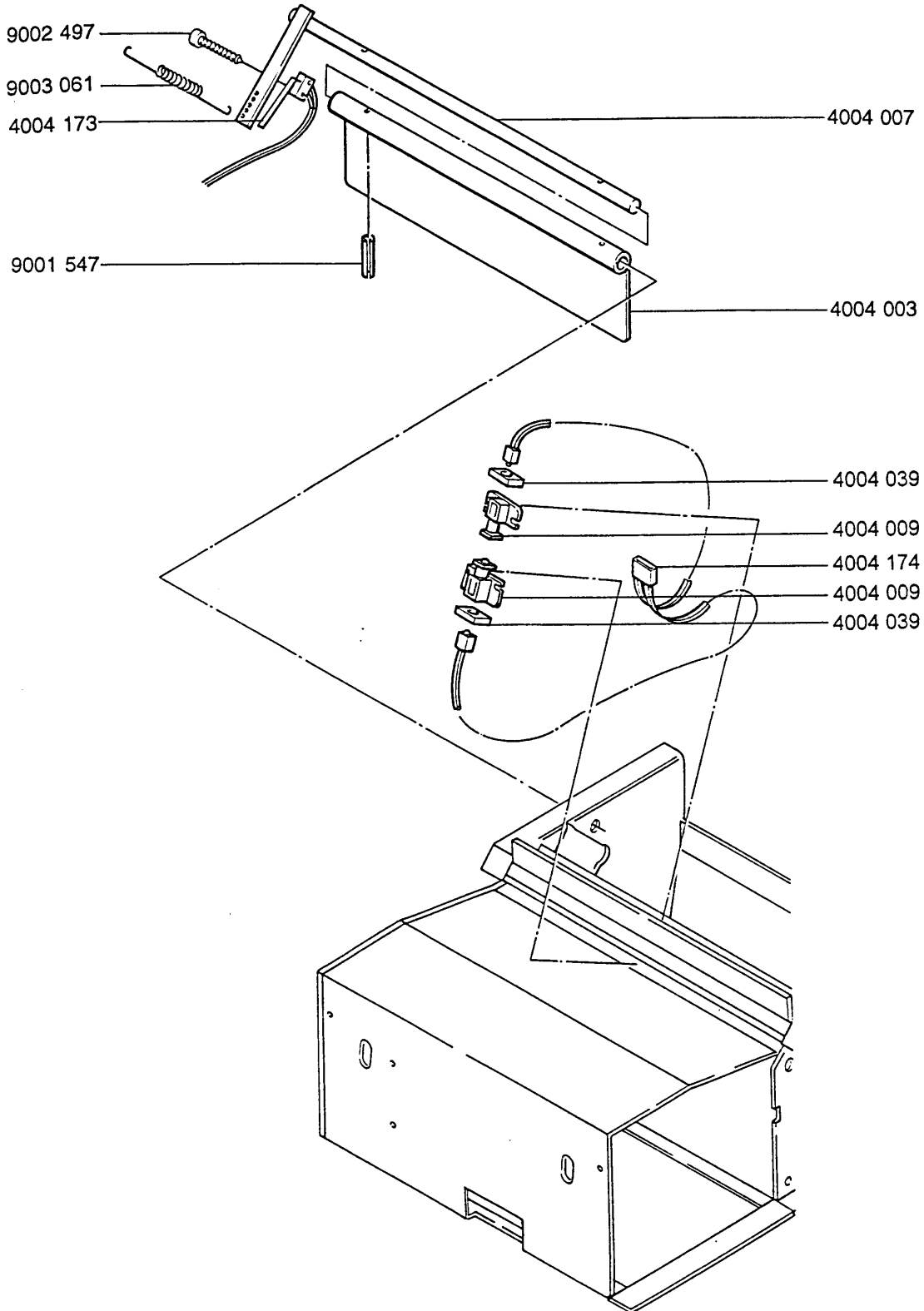
### 8.0 7120S Parts List 8.4.1 115V Electronic Bracket



### 8.0 7120S Parts List 8.5.1 230V Electronic Bracket

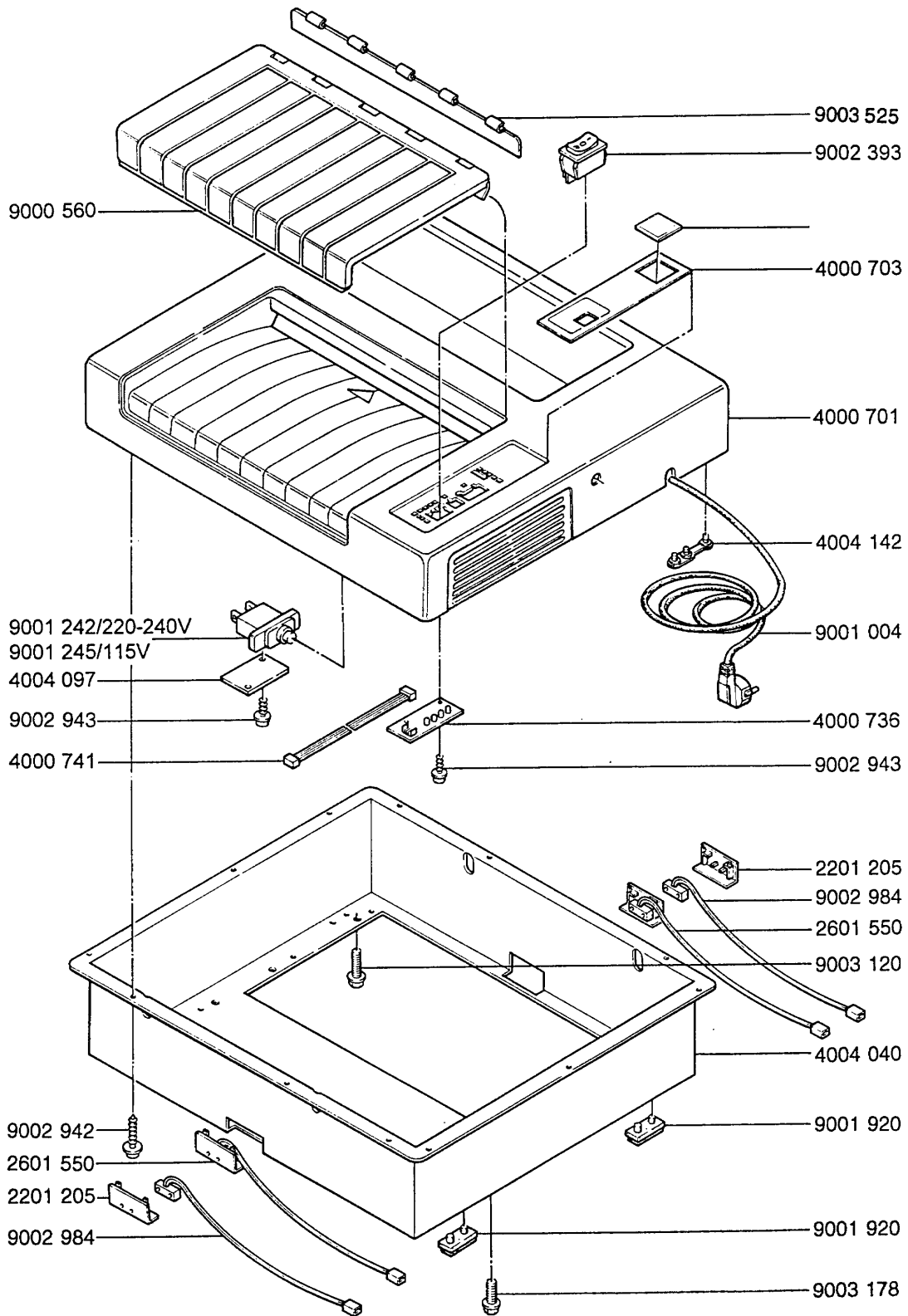


### 8.0 7120S Parts List 8.6.1 Emitter & Receiver



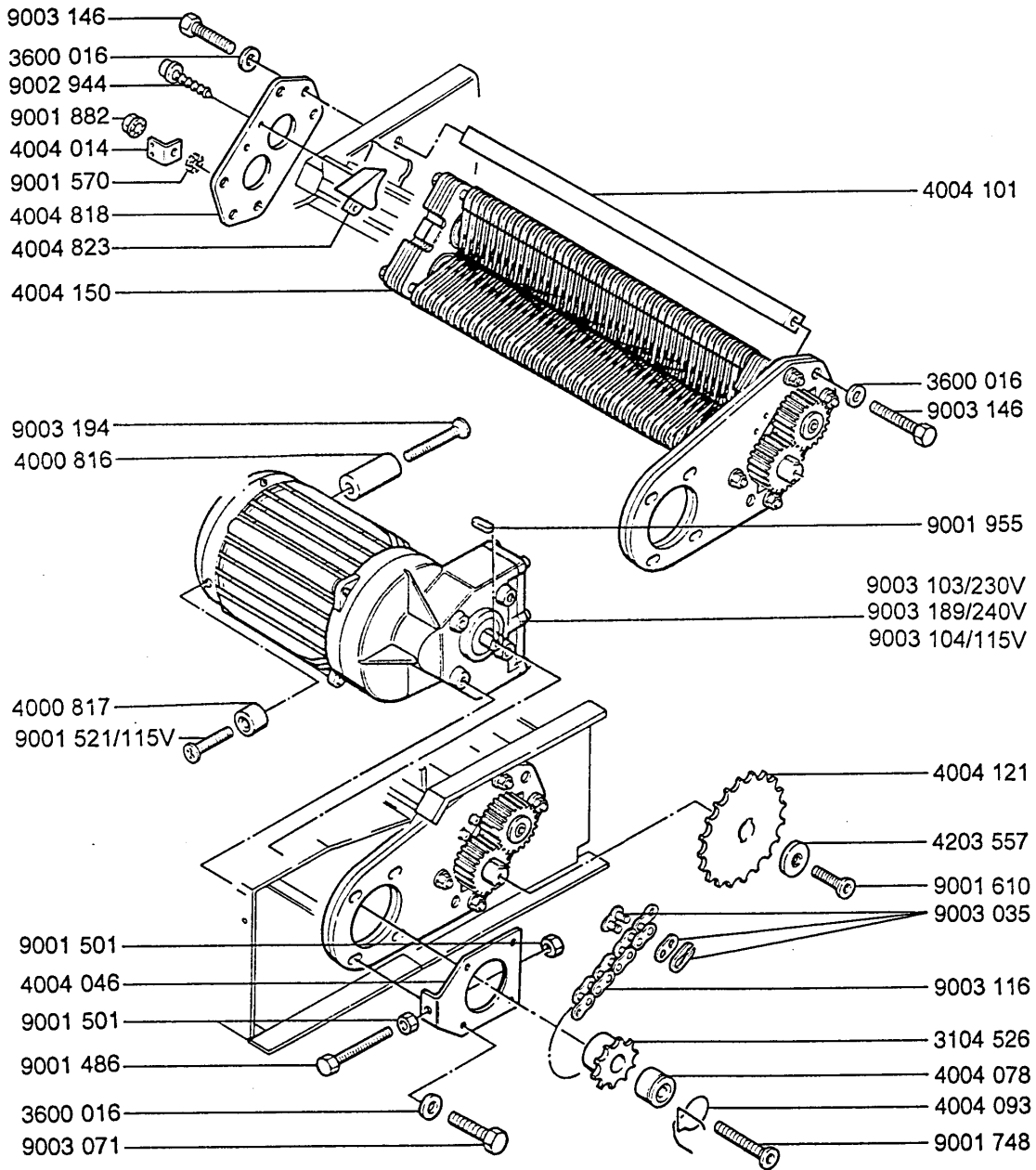
# *7160X Parts Listing*

### 8.0 7160X Parts List 8.1.2 Upper/Lower Cover Exploded View

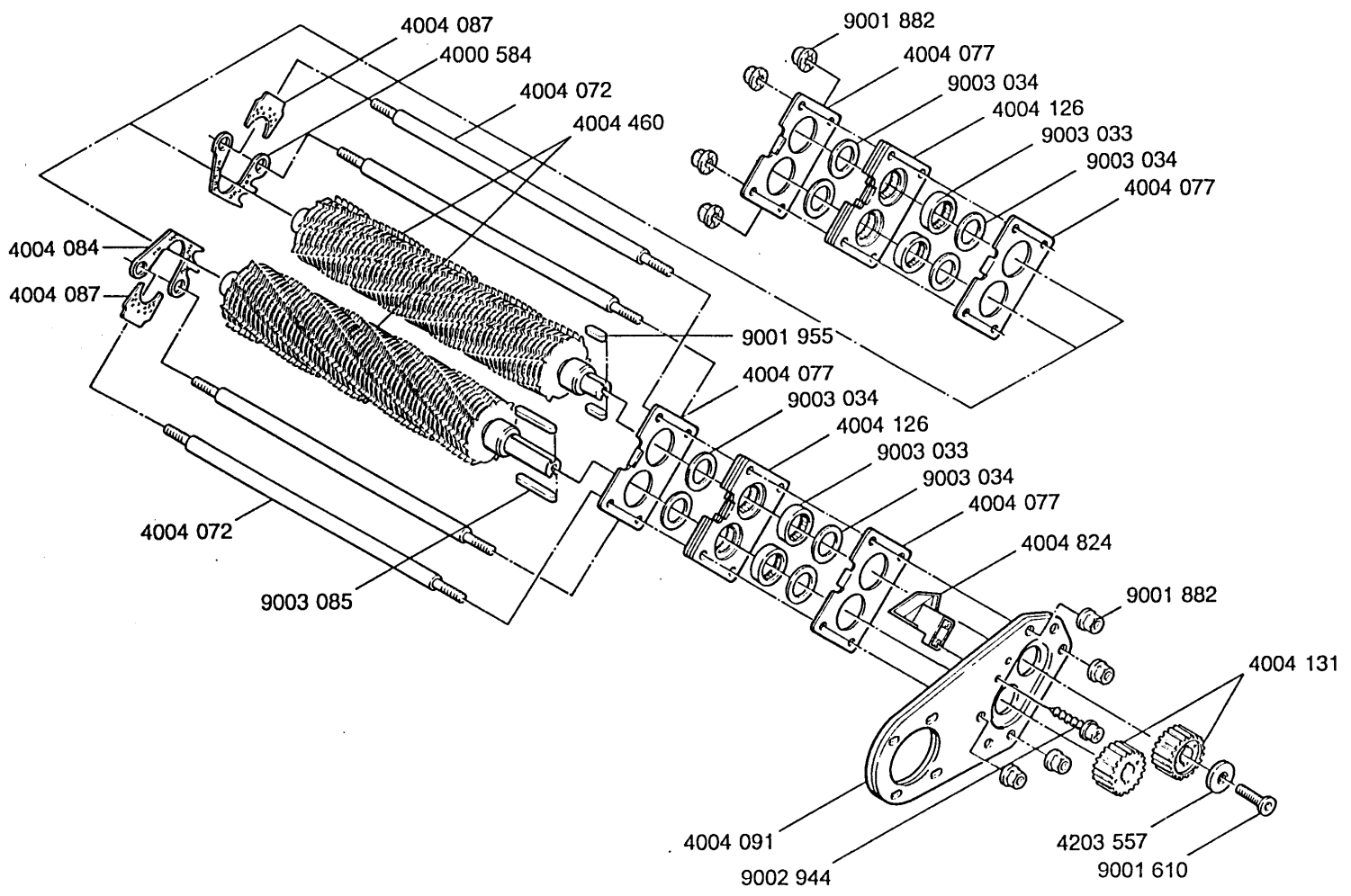




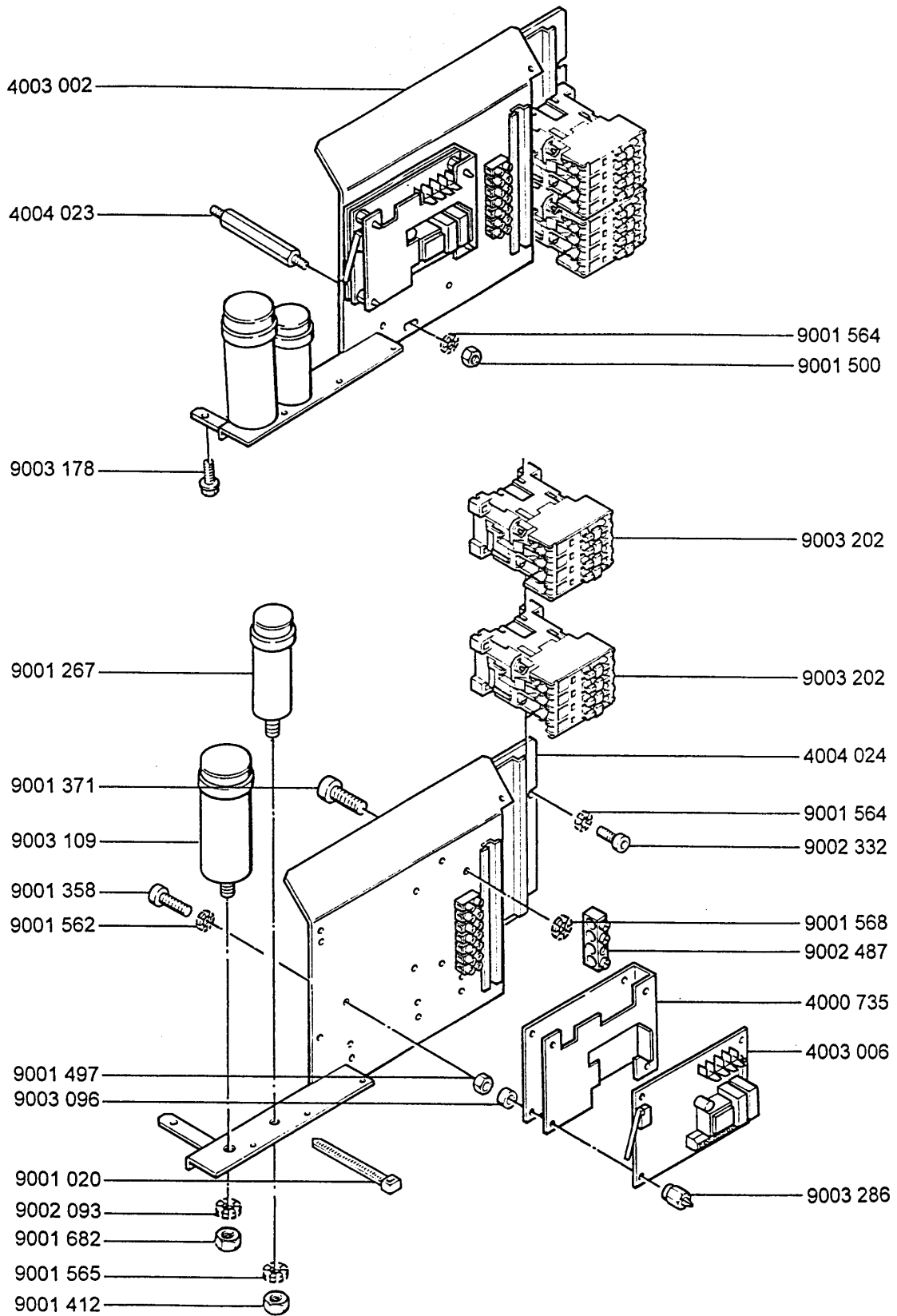
### 8.0 7160X Parts List 8.2.2 Cutter & Motor Assembly



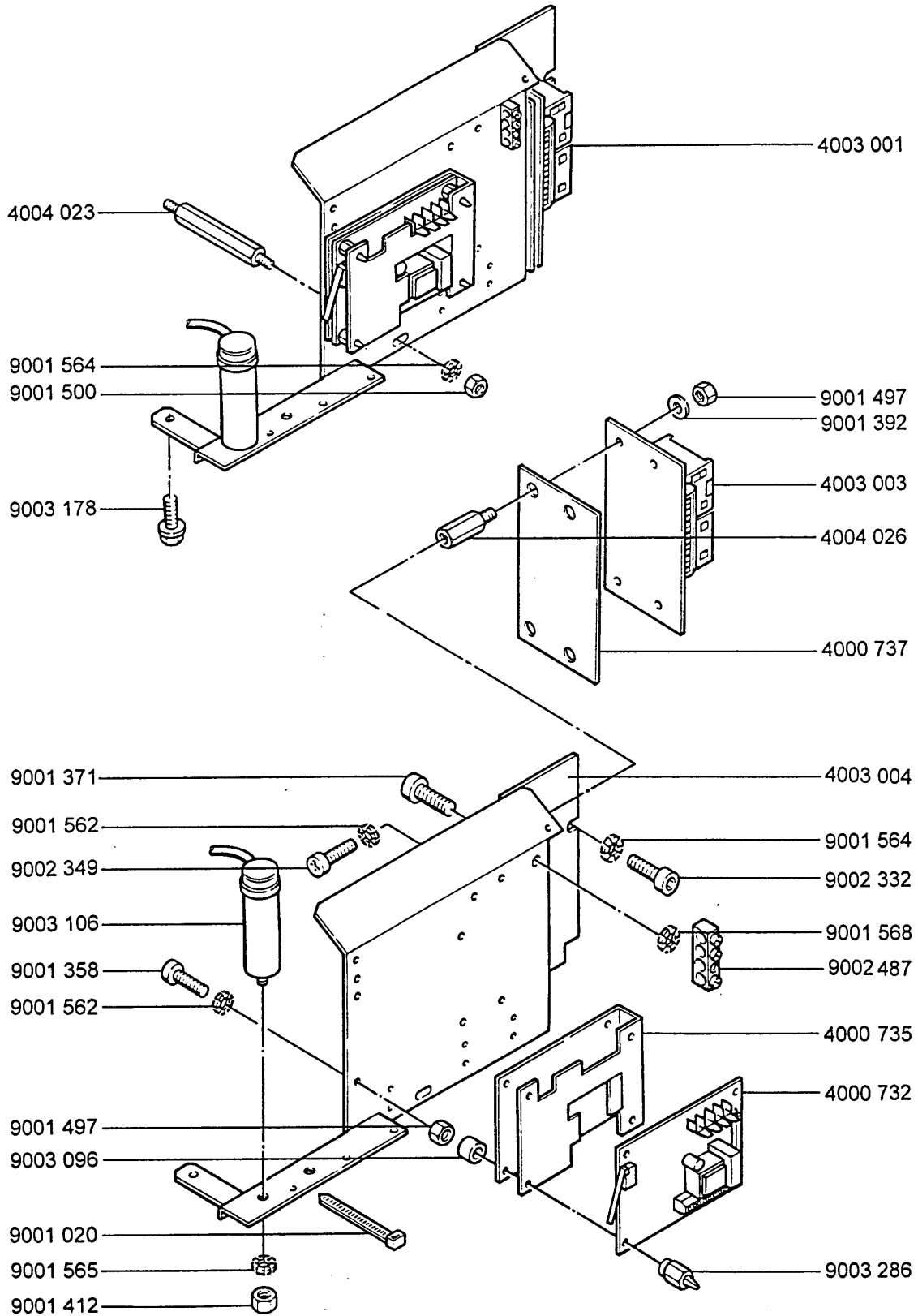
8.0 7160X Parts List  
 8.3.2 Cutting Head Exploded View



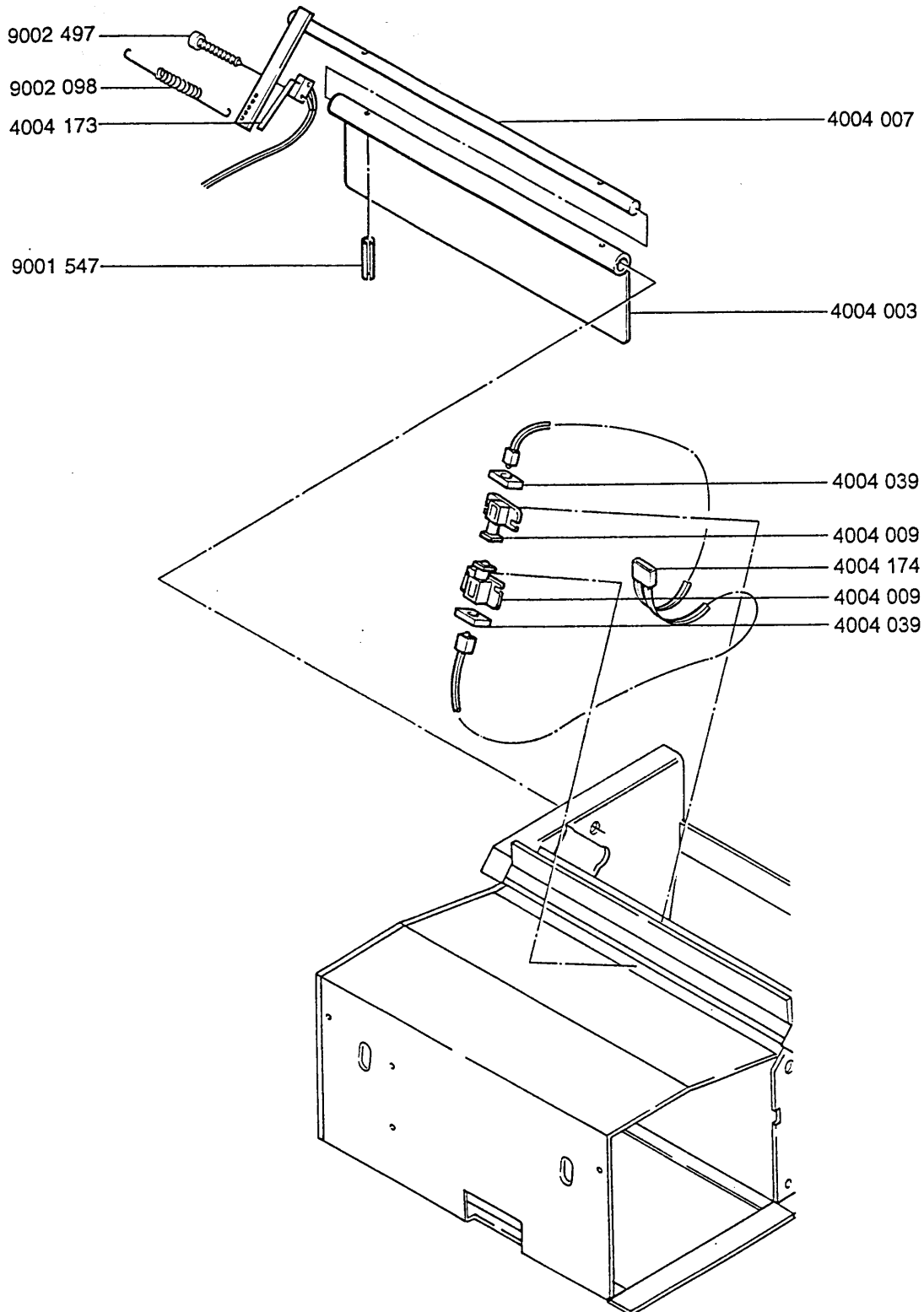
8.0 7160X Parts List  
8.4.2 115V Electronic Bracket



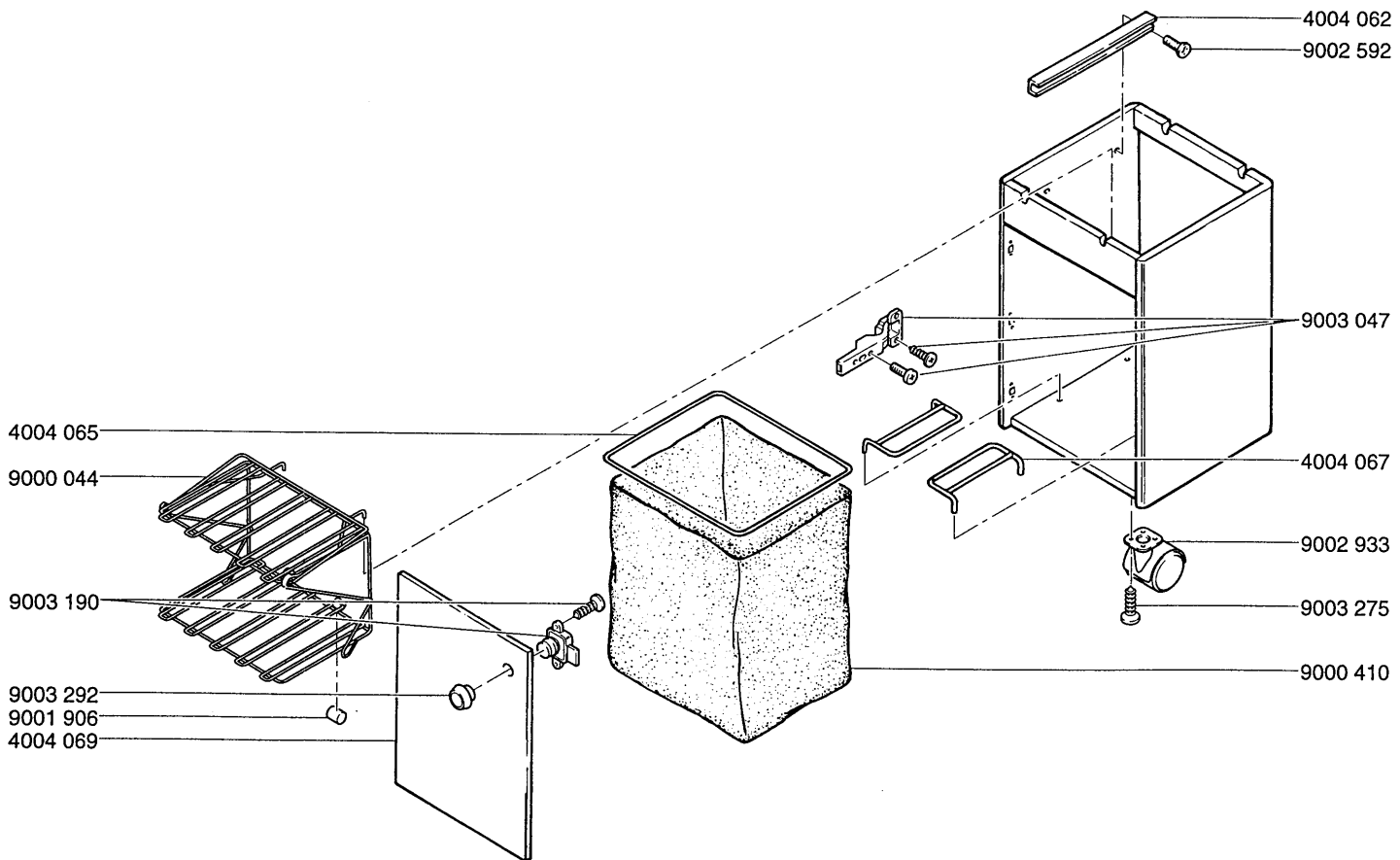
8.0 7160X Parts List  
8.4.2 230V Electronic Bracket



### 8.0 7160X Parts List 8.6.2 Emitter & Receiver



8.0 6120S/7120S/7160X Parts List  
8.7.2 Cabinet Detail



**8.0 6120S/7120S/7160X**  
**8.8.2 B.O.M**

2201 037	1755000	Strain Relief, Complete	1	1
2201 205	1751432	Cover	1	1
2206 033	1755001	Bolt	4	4
2601 550	1751434	Switch Complete	2	
3104 526	1755002	Sprocket Z = 12	1	1
3600 016	1755003	Washer	10	10
4000 030	Ref	Cutting Head 6mm	1	
4000 050	Ref	Cutting Head 4mm		1
4000 701	1751443	Upper Housing	1	1
4000 703	1751498	Operation Foil	1	1
4000 705	1751467	Sprocket Z=19	1	1
4000 707	1751483	Gear Set Z=25	1	1
4000 708	1755004	Housing UL	1	1
4000 709	1755005	Electronic Complete Mounted 115V	1	
4000 710	1755006	Cutting Head, Complete 6mm	1	
4000 711	1755007	Cutting Head, Complete 4mm		1
4000 714	1751475	Motor Bracket	1	1
4000 718	1751457	Electronic Carrier Bracket	1	
4000 721	1755008	Elect. Complete Mounted 220-240V.		1
4000 726	1755009	Washer	1	1
4000 731	1751448	P.C. Board Control, Comp.110-120V.	1	
4000 732	1755010	P.C. Board Control, Comp.220-240V.		1
4000 733	1755011	P.C. Board, Contactor 220-240V.		1
4000 735	1751438	Insulation	1	1
4000 736	1751442	P.C. Board, Switch Assembly Comp.	1	
4000 737	1751437	Insulation	1	1
4000 741	1751504	Ribbon Cable	1	1
4000 751	1755086	Electronic Carrier Plate	1	1
4000 816	1755012	Collar	1	1
4000 817	1755013	Collar	1	1
4003 001	1755014	Elect. Comp.Mounted 220-240V.		1
4003 002	1755015	Elect. Comp. Mounted 110-120V.	1	
4003 003	1755016	P.C. Board, Contactor	1	
4003 004	1755017	Electronic Carrier Plate	1	1
4003 006	1755018	P.C. Board, Complete 110-120V	1	
4004 003	1751453	Bag Full, Sensor Plate	1	1
4004 007	1751454	Axle, Complete	1	1

Reference	Part No.	Description	115V	220V
-----------	----------	-------------	------	------

**8.0 6120S/7120S/7160X  
8.8.2 B.O.M**

4004 009	1755019	Transmitter Assy	2	2
4004 014	1755020	Bracket, Spring	1	1
4004 023	1755021	Distance Bolt	1	1
4004 024	1755022	Electronic Bracket	1	1
4004 039	1755023	Dust Seal	1	1
4004 040	1751459	Base Plate, Complete	1	1
4004 046	1755024	Adjustment Angel, Motor	1	1
4004 065	1751464	Bag Holder	1	1
4004 062	1755025	Support Machine	2	2
4004 067	1751465	Assembly (Machine Grip)	2	2
4004 069	1751466	Door	1	1
4004 072	1751468	Bar	2	2
4004 077	1751469	Cover	7	7
4004 078	1751472	Washer	1	1
4004 084	1751473	Separator	200	200
4004 087	1751474	Filler	200	200
4004 091	1755026	Motor Bracket	1	1
4004 093	1751476	Cut out spring	1	1
4004 097	1751477	Overload Bracket	1	1
4004 101	1751478	Supporting Lever	2	2
4004 121	1755027	Sprocket Z = 43	1	1
4004 126	1751482	Side Plate, Right	1	1
4004 128	1755028	Pair Knife Shafts, 4mm		1
4004 129	1755029	Pair Knife Shafts, 6mm	1	
4004 131	1755030	Gear, Set Z = 20	1	1
4004 133	1755031	Washer	1	1
4004 142	1751484	Strain Relief, Complete	1	1
4004 150	1755032	Cutting Head, Complete 4 x 40mm	1	
4004 173	1751487	Microswitch, Complete	1	1
4004 174	1751433	Transmitter	1	1
4004 460	1751488	Knife Shaft Set, 4x60mm	1	
4004 818	1751492	Bracket	1	1
4004 823	1751532	L.H Deflector	1	1
4004 824	1751535	R.H Deflector	1	1
4203 557	1751493	Cover Disk	1	1
9000 044	1751494	EDP Rack	1	1

**Reference Part No. Description 115V 220V**



## 8.0 6120S/7120S/7160X

### 8.8.2 B.O.M

9000 410	N/A	Plastic Bags	1	1
9000 560	1751495	Sound Cover	1	1
9001 004	1751442	Power Cord	1	
9001 020	1755033	Wire Strap, Small	5	5
9001 182	1755034	Locking Nut	1	1
9001 241	1755035	Overload Protection 5A	1	
9001 242	1755036	Overload Protection 6A		1
9001 243	1751499	Overload Protection 8A	1	
9001 245	1755037	Overload Protection 15A	1	
9001 264	1751479	Capacitor 40/110-117V.	1	
9001 267	1755038	Capacitor 50/110-115V.	1	
9001 358	1755039	Screw	4	4
9001 371	1755040	Screw	1	1
9001 392	1755041	Washer	4	4
9001 412	1755042	Nut	1	1
9001 481	1755043	Screw	4	4
9001 486	1755044	Screw	1	1
9001 497	1755045	Nut	8	8
9001 500	1755046	Nut	1	1
9001 501	1755047	Nut	2	2
9001 521	1755048	Screw	1	1
9001 547	1751512	Pin	2	2
9001 562	1755049	Washer	8	8
9001 564	1755050	Washer	1	1
9001 565	1755051	Washer	1	1
9001 568	1755053	Washer	1	1
9001 570	1755054	Washer	1	1
9001 609	1751519	Screw	1	1
9001 610	1751523	Screw	2	2
9001 682	1755055	Nut	1	1
9001 748	1755056	Screw	1	1
9001 882	1755057	Locking Nut	8	8
9001 906	1751525	Rubber Sleeve	2	2
9001 920	1751526	Rubber Foot	4	4
9001 955	1751527	Key	3	3
9002 093	1755058	Washer	1	1
9002 098	1751529	Tension Spring	1	1
<b>Reference</b>	<b>Part No.</b>	<b>Description</b>	<b>115V</b>	<b>220V</b>

**8.0 6120S/7120S/7160X**  
**8.8.2 B.O.M**

9002 131	1755059	Locking Nut	4	4
9002 138	1751546	Retaining Ring	1	1
9002 211	1755060	Terminal Block	2	2
9002 213	1755061	Terminal Block	3	3
9002 239	1751533	Washer	1	1
9002 332	1755062	Screw	1	1
9002 349	1755063	Screw	4	4
9002 393	1751534	Switch	1	1
9002 487	1751549	Grounding Connect	1	1
9002 497	1755064	Screw	2	2
9002 592	1755065	Screw	12	12
9002 933	1751537	Roll	4	4
9002 942	1751539	Screw with Washer	14	14
9002 943	1755066	Screw with Washer	4	4
9002 984	1751542	Reed Contact	2	2
9003 033	1751543	Bushing	4	4
9003 034	1751544	Washer	8	8
9003 035	Ref	Chain Locking Clip	1	1
9003 047	1751545	Hinge, Complete	3	3
9003 061	1755067	Spring	1	1
9003 071	1755068	Screw	4	4
9003 085	1755069	Spring	2	2
9003 096	1755070	Distance Castors	4	4
9003 103	1755071	Gear Motor, 230V		1
9003 104	1755072	Gear Motor, 115V	1	
9003 106	1755073	Capacitor 40/220-240VAC		1
9003 109	1755074	Capacitor 100/115VAC	1	
9003 116	1755075	Chain	1	1
9003 120	1751427	Screw	6	6
9003 146	1755076	Screw	4	4
9003 178	1755077	Screw	1	1
9003 188	1755078	Distance Washer	1	1
9003 189	1755079	Gear Motor, 240V		1
9003 190	1751522	Pressure Lock, Complete	1	1
9003 194	1755080	Screw	1	1
9003 286	1755081	Distance Bolt	4	4

**Reference Part No. Description 115V 220V**



### 9.0 6120S/7120S/7160X \*Recommended Spare Parts

			QTY	
	1760049	Shredder Oil	1	1
2601 550	1751434	Switch Complete	2	2
4000 707	1751483	Gear Set Z=25	1	1
4000 731	1751448	Printed Circuit Board Complete 115V	1	
4000 736	1751442	Printed Circuit Board	1	1
4000 737	1751437	Insulation	1	1
4000 741	1751504	Ribbon Cable	1	1
4004 067	1751465	Assembly	2	2
4004 069	1751466	Door	1	1
4004 173	1751487	Microswitch, Complete	1	1
4004 174	1751433	Transmitter	1	1
4004 460	1751488	Knife Shaft Set, 4x60mm	1	
9001 243	1751499	Overload Protection	1	
9001 264	1751479	Capacitor	1	
9001 906	1751525	Rubber Sleeve	2	2
9001 920	1751526	Rubber Foot	4	4
9001 955	1751527	Key	2	2
9003 190	1751522	Pressure Lock, Complete	1	1
9002 098	1751529	Tension Spring	1	1
9002 487	1751534	Switch	1	
9002 497	1751549	Terminal Block	1	
9003 033	1751542	Reed Contact	1	1
9003 061	1751545	Hinge, Complete	2	2
9002 942	1751537	Roll	4	4
9003 190	1751522	Pressure Lock, Complete	1	1
9003 308	1751435	Motor Sprocket	1	1
9003 309	1751489	Chain	1	1
9003 310	1751514	Master Link	1	1

<b>Reference</b>	<b>Part No.</b>	<b>Description</b>	<b>115V</b>	<b>220V</b>
------------------	-----------------	--------------------	-------------	-------------

*\* Based On One Hundred Machines*



5700 Old Orchard Road  
Skokie, IL 60077  
[www.gbc.com](http://www.gbc.com)

Issued: 07/98  
Assembly# 1751001 U.S

Printed in the U.S.A.