



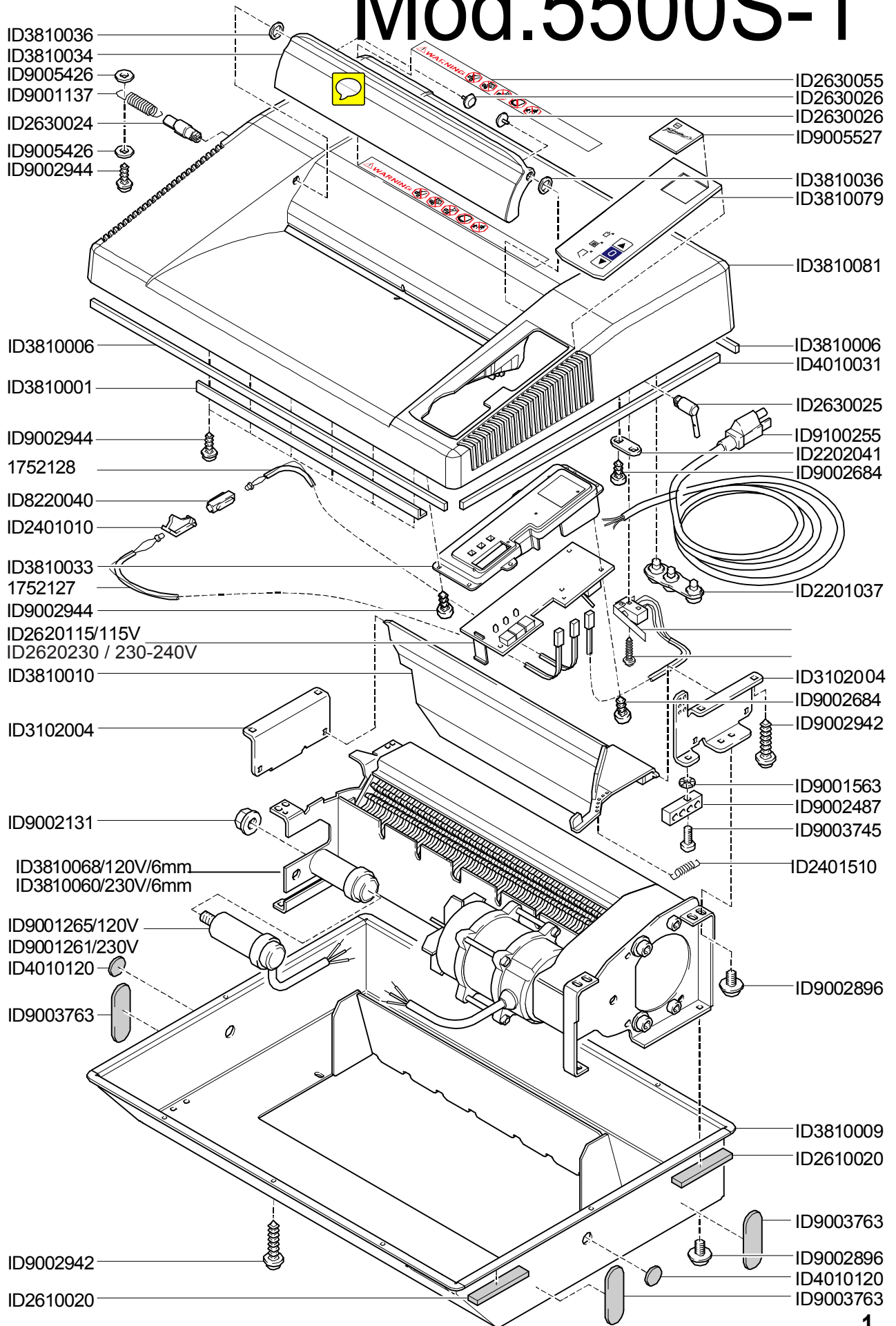
5500S-1 PARTS LIST

Revised 04/18/06



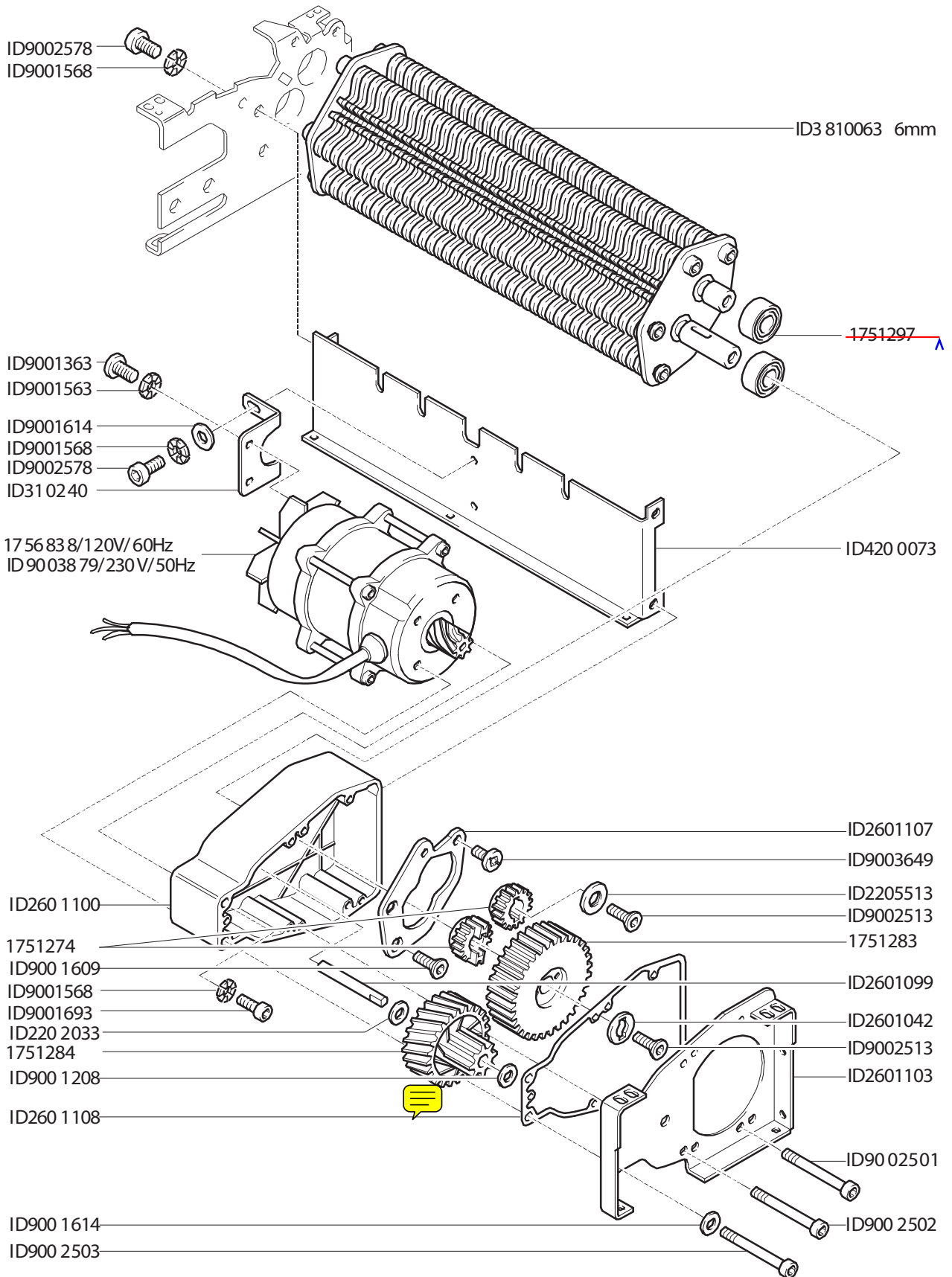
GBC IS AN ACCO BRANDS COMPANY

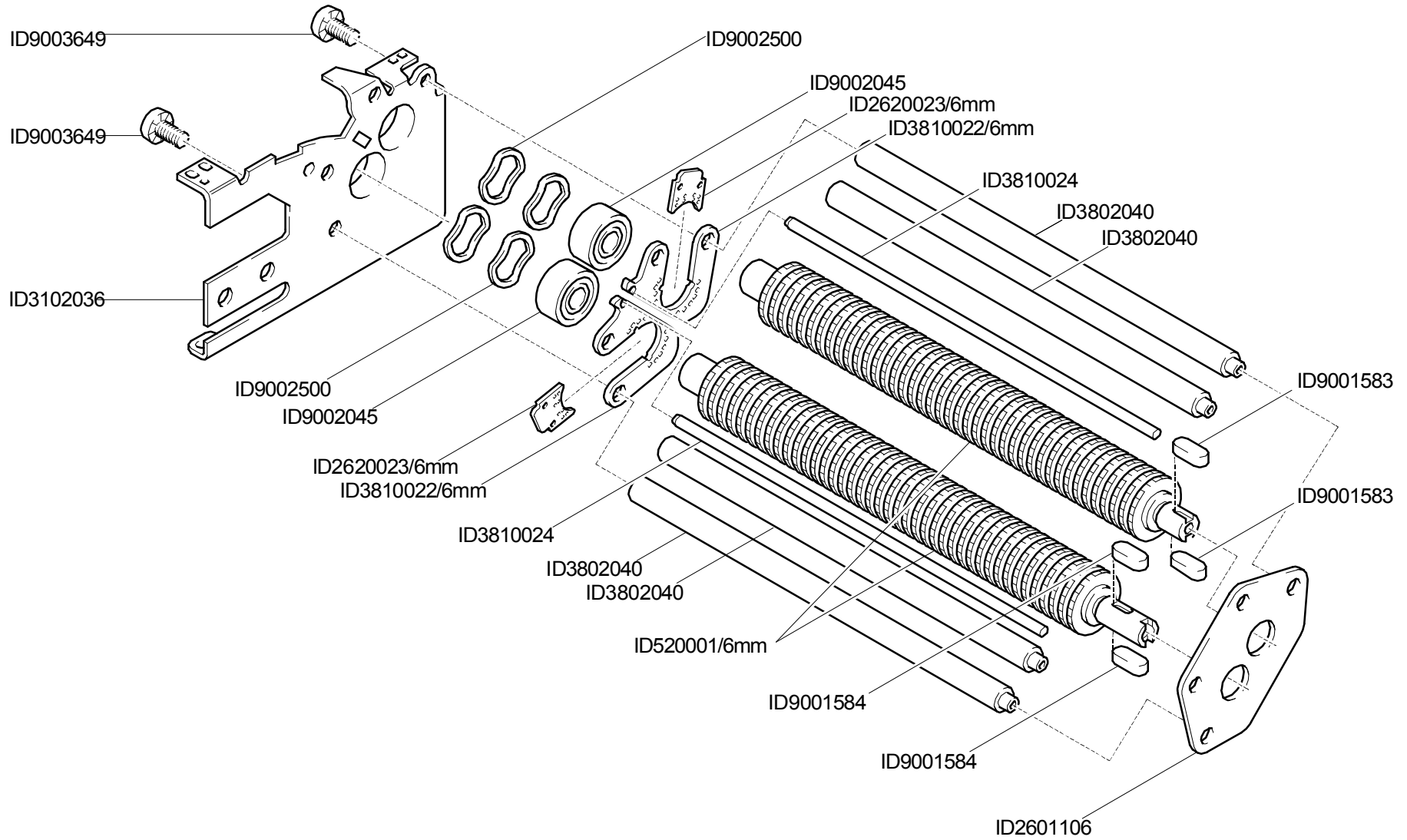
Mod.5500S-1

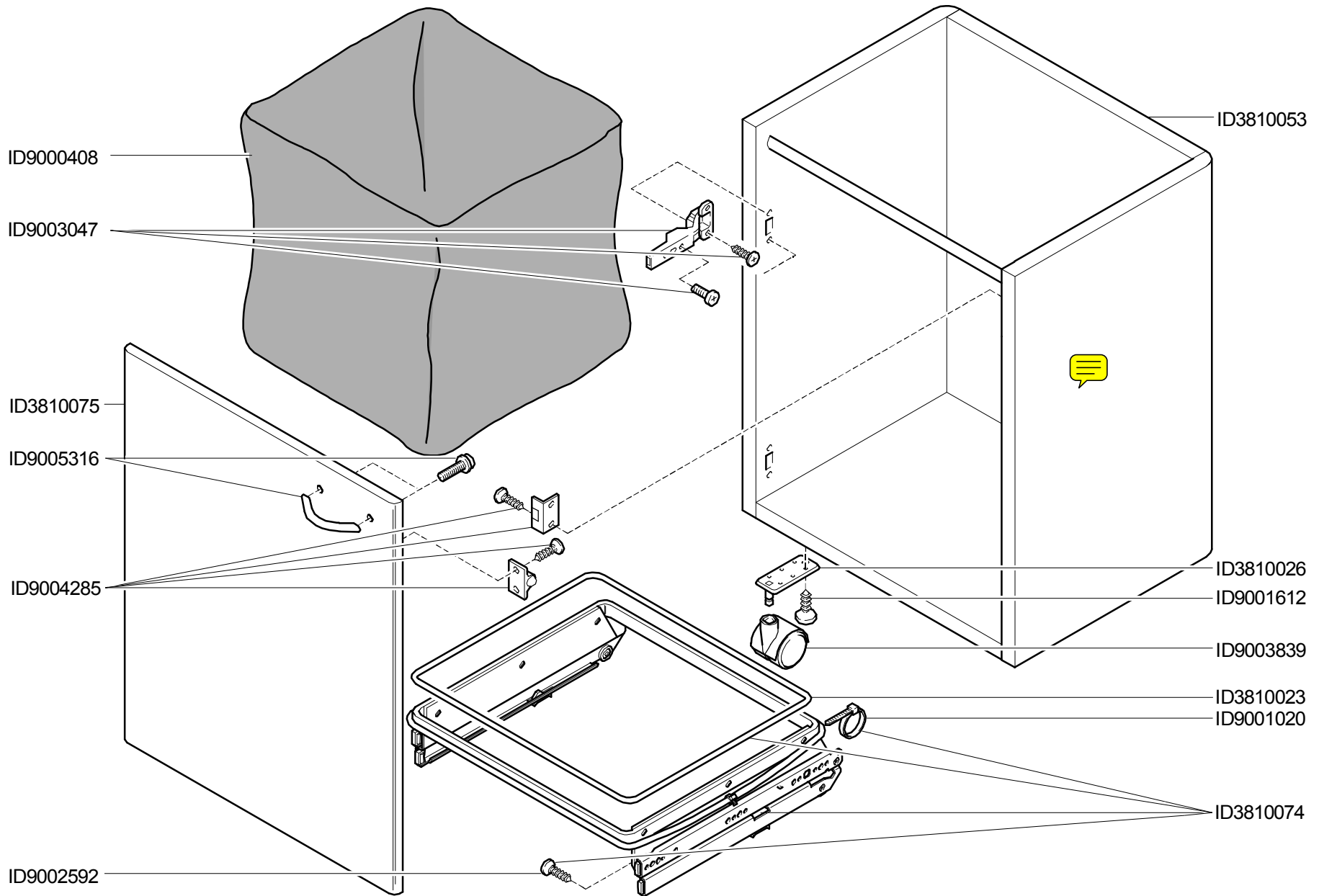


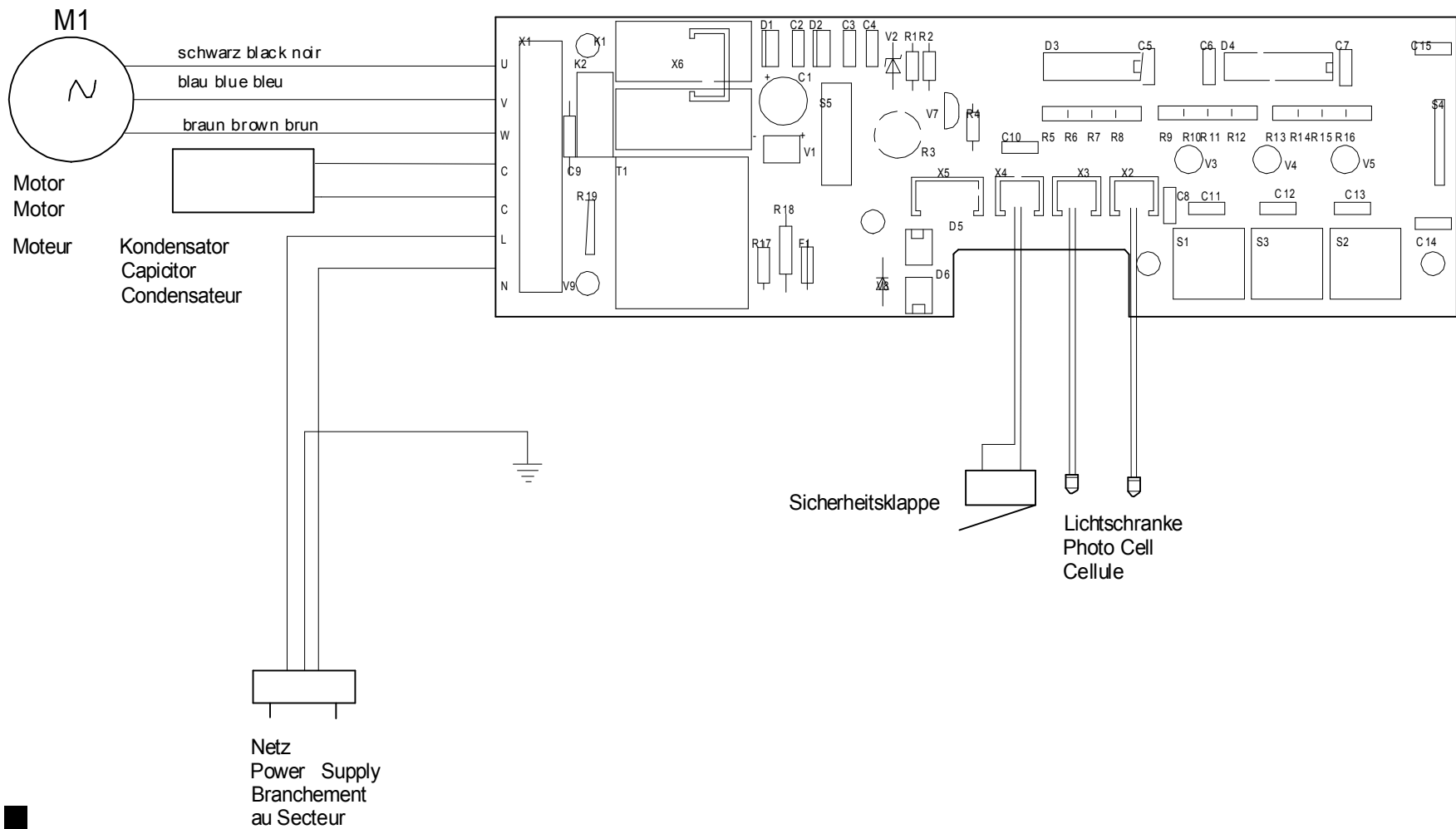
Mod.5 500 S-1

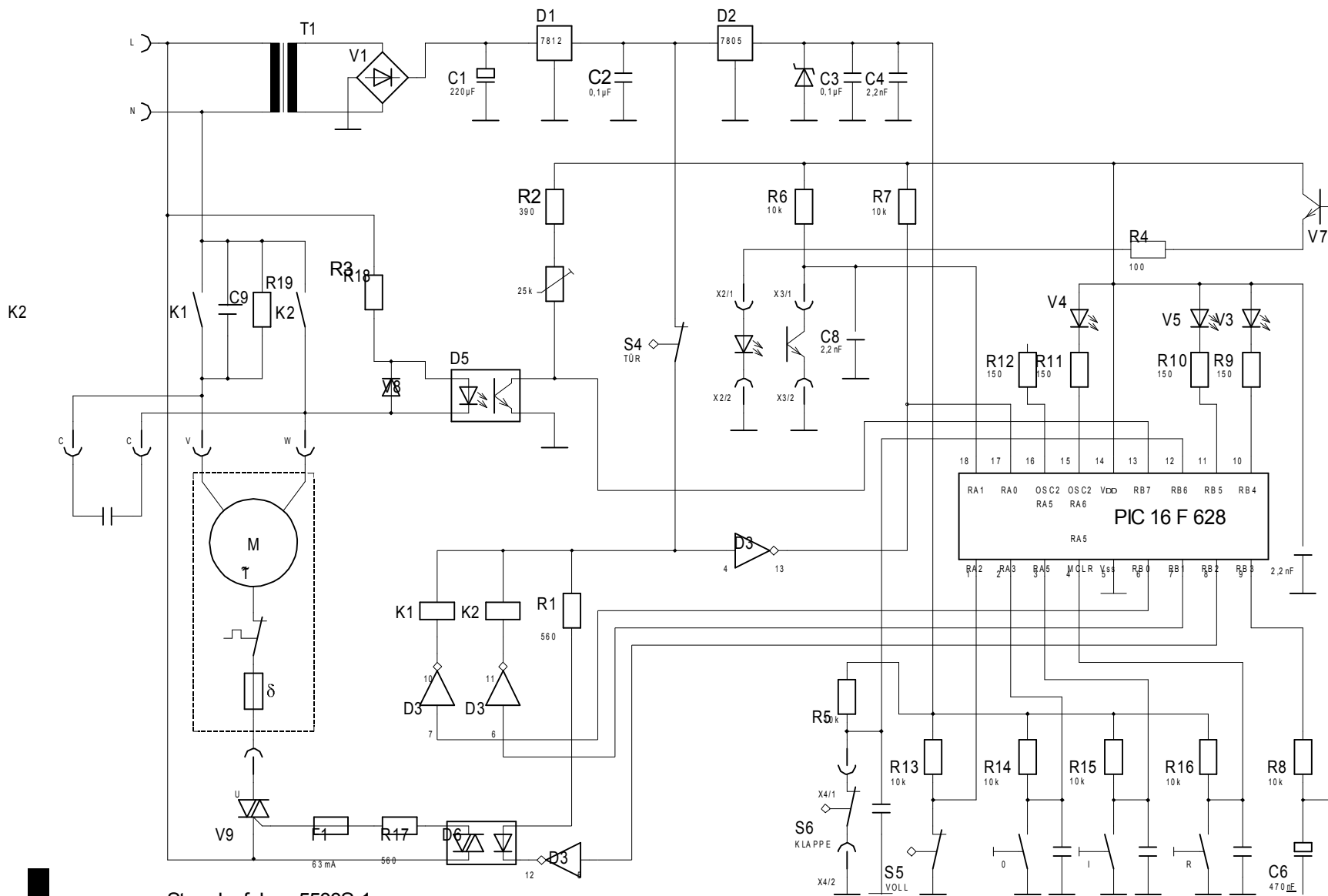
01.01 .2006











Stromlaufplan 5500S-1
 schema de
 circuit électrique 5500S-1
 wiring diagram 5500S-1