

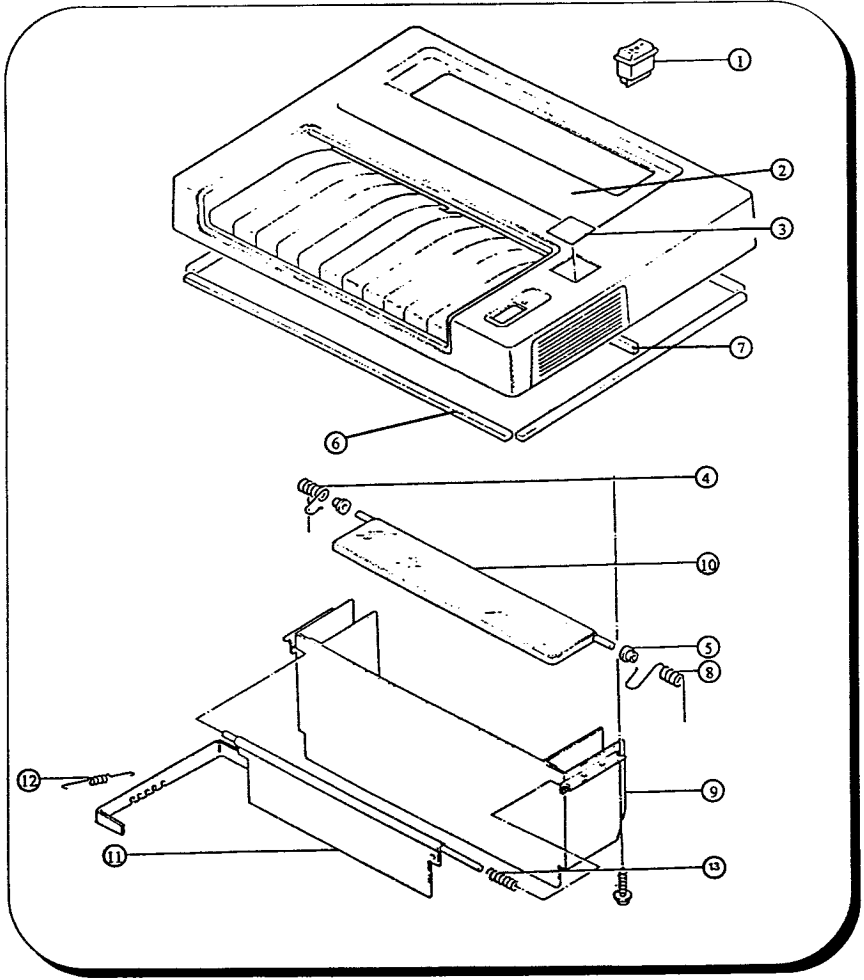


# 4100/4160X PARTS LIST



GBC IS AN ACCO BRANDS COMPANY

4100/4160X  
PARTS LIST  
FIGURE 8.1

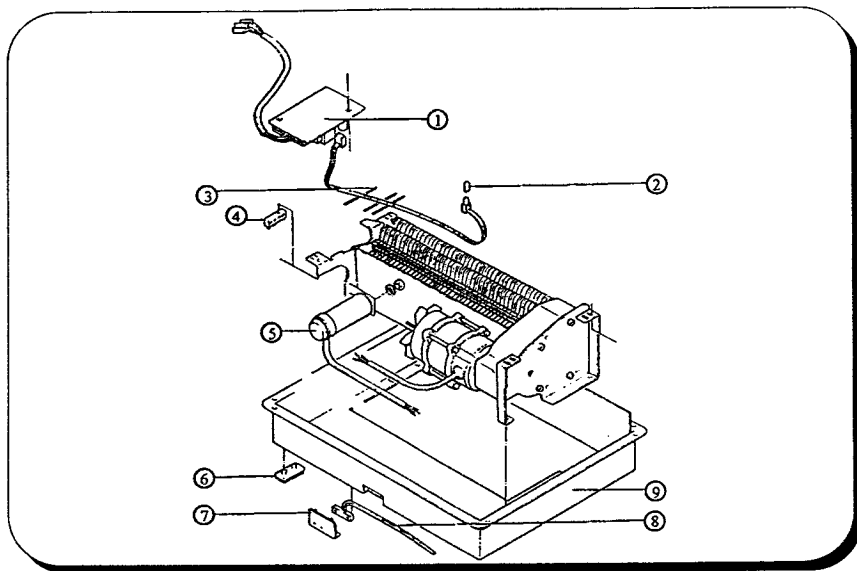


**4100/4160X  
PARTS LIST  
FIGURE 8.1**

ITEM #	PART#	DESCRIPTION	QUANTITY	
			4100X	4160X
1	1751202	CONTROL SWITCH	1	1
2	1751203	UPPER COVER	1	
2	1751312	UPPER COVER		1
3	6009244	DECAL	1	
3	6009245	DECAL		1
4	1751204	SPRING LEFT	1	1
5	1751205	BUSHING	2	2
*	1751206	POWER CORD	1	1
*	1751207	POWER CORD SUPPORT STRAP	1	1
6	1751238	REINFORCEMENT BAR	4	4
7	1751324	REINFORCEMENT BAR		2
8	1751208	SPRING RIGHT	1	1
9	1751209	CHUTE	1	
9	1751313	CHUTE		1
10	1751212	WASTE DOOR	1	1
11	1751225	BAG FULL FLAP	1	
11	1751314	BAG FULL FLAP		1
12	1751224	SPRING		1
13	1751262	SPRING		1

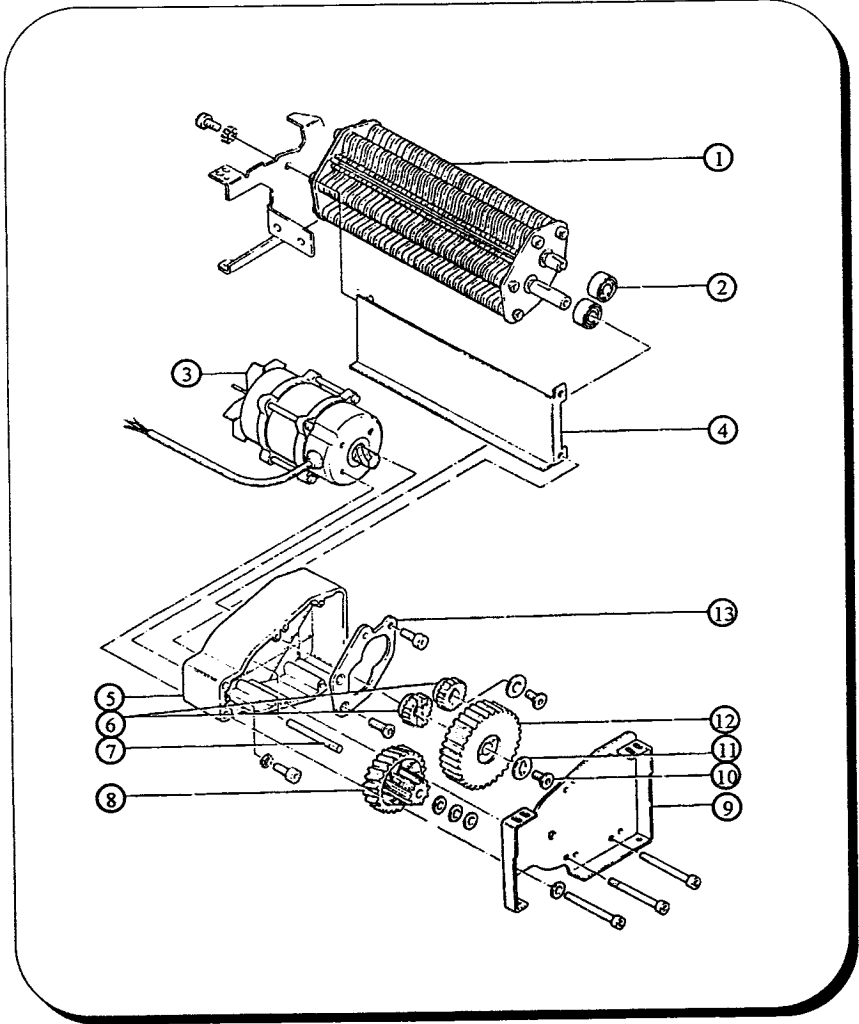
\* Not shown

**4100/4160X  
PARTS LIST  
FIGURE 8.2**



ITEM #	PART #	DESCRIPTION	QUANTITY	
			4100X	4160X
1	1751216	CONTROL BOARD	1	1
2	1751243	DIODE, RED	1	1
3	1751244	WIRING HOLDING PIN	2	3
4	1751245	WIRING BLOCK	1	1
5	1751252	CAPACITOR	1	1
6	1751255	RUBBER FOOT	4	4
7	1751257	SENSOR COVER	2	2
8	1751259	SENSOR	2	2
9	1751256	LOWER COVER	1	
9	1751319	LOWER COVER		1

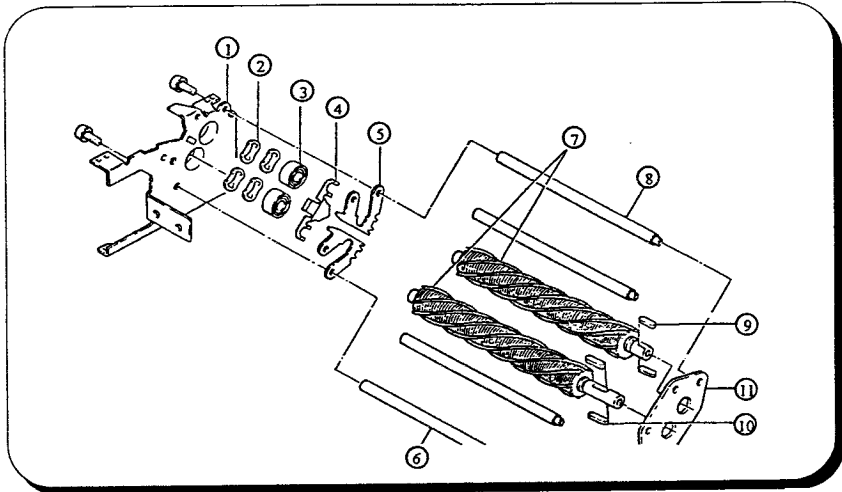
4100/4160X  
PARTS LIST  
FIGURE 8.3



**4100/4160X  
PARTS LIST  
FIGURE 8.3**

ITEM #	PART #	DESCRIPTION	QUANTITY	
			4100X	4160X
1	1751265	CUTTING HEAD COMPLETE	1	
1	1751322	CUTTING HEAD COMPLETE		1
2	1751297	BEARINGS	4	4
3	1751268	MOTOR WITH FAN	1	1
4	1751267	PLATE	1	
4	1751323	PLATE		1
5	1751269	GEAR BOX HOUSING	1	1
6	1751274	CUTTER GEAR SET	1	1
7	1751275	PIN	1	1
8	1751284	DOUBLE DRIVE GEAR	1	1
9	1751288	PLATE	1	1
10	1751282	TORX HEAD SCREW (T-30)	2	2
11	1751223	WASHER	1	1
12	1751283	GEAR ASSEMBLY WITH BUFFER AND CLUTCH	1	1
13	1751272	REINFORCEMENT PLATE, INNER	1	1

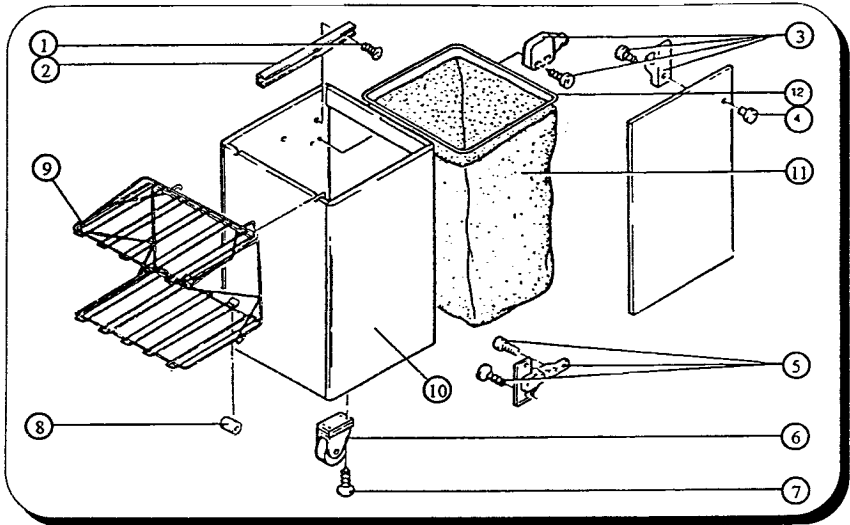
**4100/4160X  
PARTS LIST  
FIGURE 8.4**



ITEM #	PART #	DESCRIPTION	QUANTITY	
			4100X	4160X
1	1751295	MOUNTING BRACKET	1	1
2	1751296	WAVY WASHERS	4	4
3	1751297	BEARINGS	4	4
4	1751298	RETAINER	2	2
5	1751299	STRIPPER	132	192
*	1751302	NYLON STRIPPERS	126	0
6	1751303	STRIPPER SUPPORT ROD	4	
7	1751307	CUTTER SET	1	
7	1751327	CUTTER SET (2 X 15 MM)		1
8	1751325	STRIPPER SUPPORT ROD		4
9	1751304	KEY	2	2
10	1751305	KEY	2	2
11	1751306	REINFORCEMENT PLATE, OUTER	1	1

\* Not shown

4100/4160X  
PARTS LIST  
FIGURE 8.5



ITEM #	PART #	DESCRIPTION	QUANTITY	
			4100X	4160X
1	1751226	SCREW	6	8
2	1751227	RAIL SUPPORT	2	2
3	1751228	LATCH ASSEMBLY	1	1
4	1751229	PRESSURE POINT MARKER	1	1
5	1751233	HINGE ASSEMBLY	2	2
6	1751234	CASTOR	4	4
7	1751235	SCREW	16	16
8	1751236	RUBBER SLEEVE	2	2
9	Ref	EDP RACK ASSEMBLY	1	1
10	Ref	CABINET ASSEMBLY COMPLETE	1	
10	Ref	CABINET ASSEMBLY COMPLETE		1
11	1751232	PERMANENT PLASTIC BAG WITH RAIL	1	
12	1751315	BAG RAIL		1



## 5.0 TROUBLESHOOTING

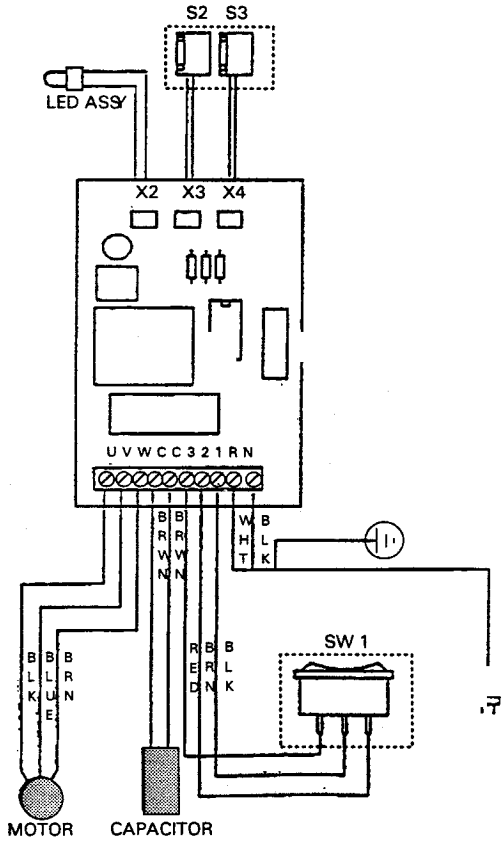


Figure 5.1