

1256S/1656S

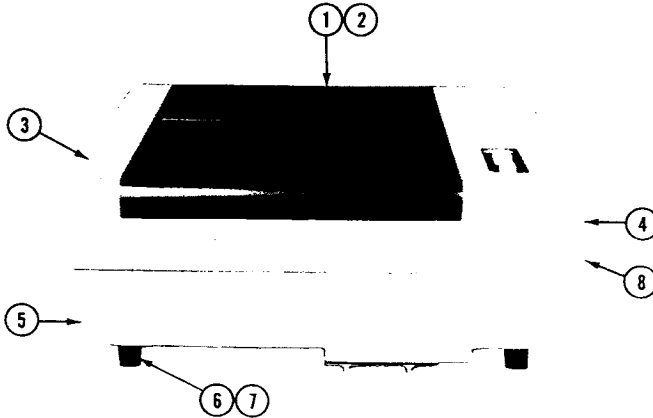


Figure 8.1

INDEX NO.	PART NO.	PART NAME	QUANTITY	
			1256S	1656S
1	1146786	TOP SHIELD.	1	
1	1146787	TOP SHIELD.		1
2	1926801	NUT (KEPS) #6-32.	2	2
3	1146748	TOP COVER	1	
3	1146750	TOP COVER		1
4	1146759	COVER DECAL	1	
4	1146763	COVER DECAL		1
5	1146749	BOTTOM COVER.	1	
5	1146751	BOTTOM COVER.		1
6	1120322	RUBBER FOOT	4	4
7	1900537	SCREW, 1/4-20 X 1-3/4" LONG	4	4
8	1146769	SCREW W/PLASTIC WASHER.	4	4

9.0 RECOMMENDED SPARE PARTS LIST

NOTE: This is a list of high usage parts only. Less frequently used and incidental parts should be determined and stocked at your discretion.

PART NO.	PART NAME	QUANTITY	
		1256S	1656S
1146830	ROCKER SWITCH, ON.	1	1
1146829	ROCKER SWITCH, OFF	1	1
1146857	CONTACTOR.	1	1
1146856	SOLID STATE RELAY.	1	1
1139322	REVERSE SWITCH	1	1
1131147	FLAP SWITCH.	1	1
1146902	CAPACITOR, 150MF	1	1
1145903	CAPACITOR, 10MF.	1	1
1146894	P. C. BOARD.	1	1
1145922	FRONT STRIPPER	2	
1145926	FRONT STRIPPER		2
1145921	BACK STRIPPER.	2	
1145925	BACK STRIPPER.		2

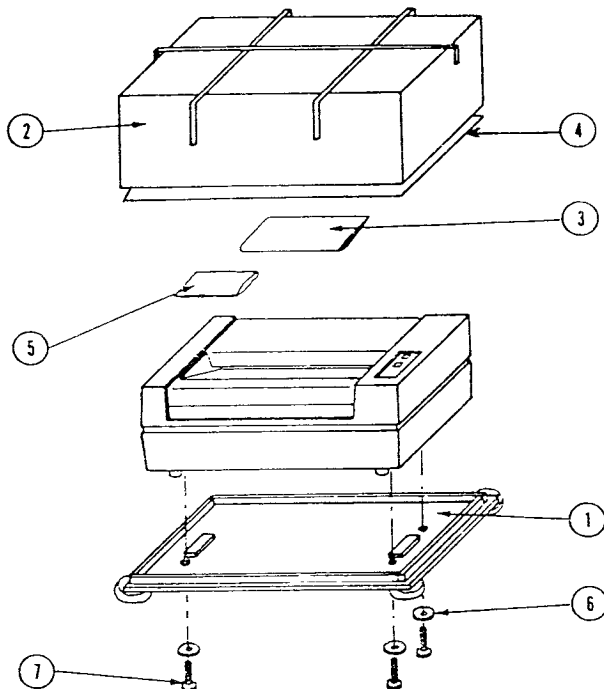


Figure 8.5

INDEX NO.	PART NO.	PART NAME	QUANTITY	
			1256S	1656S
1	1145890	WOODEN PALLET.	1	
1	1145892	WOODEN PALLET.		1
2	1145891	CARTON	1	
2	1145893	CARTON		1
3	1146808	BAGS, PACK OF 10	1	1
4	1145992	PAD.	1	
4	1145885	PAD.		1
5	1146843	OPERATOR INSTRUCTIONS.	1	1
6	1925034	WASHER	3	3
7	1951927	BOLT	3	3

Figure 8.4 (CONTINUED)

INDEX NO.	PART NO.	PART NAME	QUANTITY	
			1256S	1656S
20	1902940	SCREW #4-40 X 1/2".	4	4
21	1146539	INSULATOR	1	1
22	1139322	REVERSE SWITCH.	1	1
23	1145694	STANDOFF.	2	2
24	1131146	ACTUATOR, REVERSE SWITCH.	1	1
25	1900556	SCREW, ACTUATOR #10-32 X 5/16".	1	1
26	1145230	BAG ROD	2	2
27	1145231	SPRING.	2	2
28	1930508	RETAINER RING	2	2
29	1145247	PLASTIC CAP	2	2
30	1902816	SCREW #6-32 X 5/16".	1	1

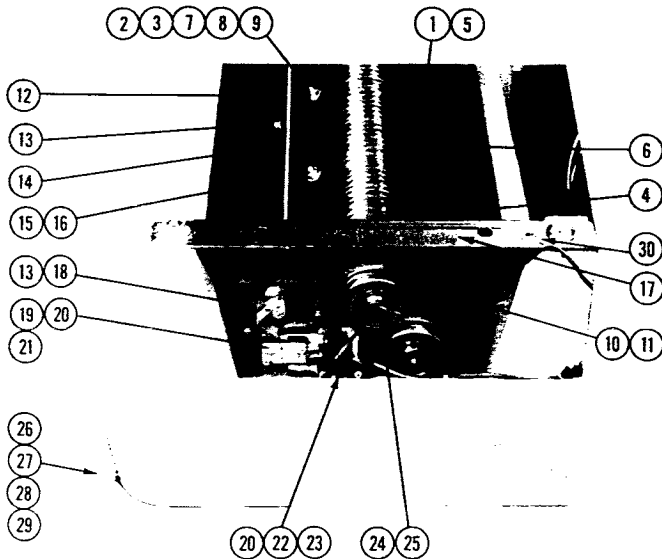


Figure 8.4

INDEX NO.	PART NO.	PART NAME	QUANTITY	
			1256S	1656S
1	1145922	FRONT STRIPPER.	2	
1	1145926	FRONT STRIPPER.		2
2	1145921	BACK STRIPPER	2	
2	1145925	BACK STRIPPER		2
3	1145882	STRIPPER SUPPORT BAR.	4	
3	1145927	STRIPPER SUPPORT BAR.		4
4	1145995	PAPER GUIDE (FOLDING BLOCK)	2	2
5	1902855	SCREW, FRT STRIPPER #10-32 X 1 3/4"	2	2
6	1146790	FRONT DEFLECTOR	1	
6	1146791	FRONT DEFLECTOR		1
7	1903033	SCREW, REAR STRIPPER #10-32 X 7/8"	10	10
8	1925009	FLAT WASHER #10	14	14
9	1926803	NUT #10-32.	12	12
10	1900512	SCREW, SOCKET HEAD 1/4-20 X 1/2"	12	12
11	1926002	SPRING WASHER	12	12
12	1145402	FLAP.	1	
12	1145405	FLAP.		1
13	1902804	SCREW #8-32 X 3/8"	4	4
14	1145973	FLAP SHAFT.	1	
14	1145974	FLAP SHAFT.		1
15	1145908	FLAP STOP SHAFT	1	
15	1145909	FLAP STOP SHAFT		1
16	1963701	"O" RING.	2	2
17	1145919	LEFT SIDE PLATE	1	1
18	1145975	FLAP SWITCH ACTUATOR.	1	1
19	1131147	FLAP SWITCH	1	1

Figure 8.3 (CONTINUED)

INDEX NO.	PART NO.	PART NAME	QUANTITY	
			1256S	1656S
23	1931605	GRIP RING 5/8"	2	2
24	1145976	GEAR, CUTTER.	2	2
25	1145878	UPPER CUTTER.	1	
25	1145895	UPPER CUTTER.		1
26	1146909	LOWER CUTTER.	1	
26	1146910	LOWER CUTTER.		1
27	1925131	WASHER, SUPPORT SCREW	2	2
28	1903205	CUTTER HEAD SCREW 5/16-18 X 3/4"	4	4
29	1926002	LOCKWASHER.	2	2

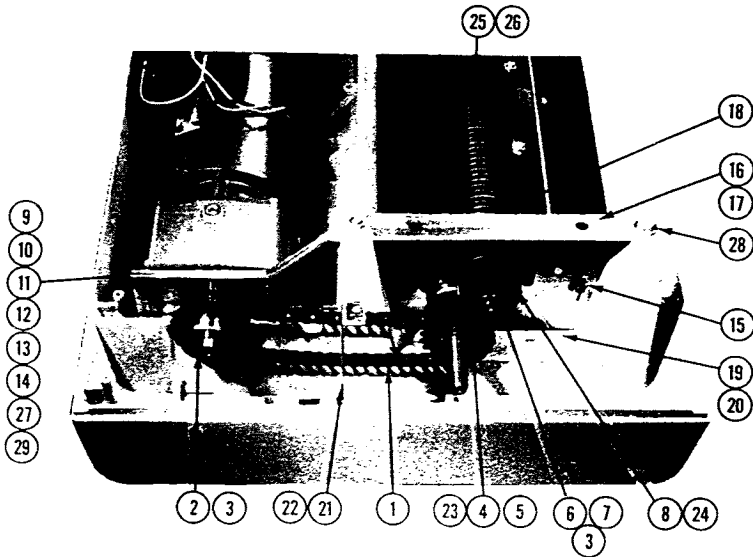


Figure 8.3

INDEX NO.	PART NO.	PART NAME	QUANTITY	
			1256S	1656S
1	1146776	CHAIN	1	1
2	1145905	SPROCKET 16 TOOTH	1	1
3	1852807	KEY 3/16" X 1/2"	3	3
4	1145780	SPROCKET 18 TOOTH	1	1
5	1852817	KEY 3/16" X 3/8"	1	1
6	1145930	LOCKNUT 5/16-32.	1	1
7	1145931	LOCKWASHER.	1	1
8	1145928	SPACER, CUTTER.	2	2
9	1146901	SUPPORT PLATE	2	2
10	1900519	SUPPORT SCREW 1/4-20 X 1"	2	2
11	1926821	NUT 5/16"	4	4
12	1951978	SCREW, MOTOR MNTG 5/16-18 X 2".	4	4
13	1926004	SPRING WASHER	4	4
14	1925025	FLAT WASHER	4	4
15	1931606	RETAINING RING.	3	3
16	1145920	RIGHT SIDE PLATE.	1	1
17	1145180	BEARING, CUTTER SHAFT	4	4
18	1145929	RETAINER PLATE, BEARING (NOT SHOWN)	1	1
19	1145799	SPACER GUARD.	1	
19	1145798	SPACER GUARD.		1
20	1907809	SCREW, SPACER GUARD #10-32 X 3/8"	4	4
21	1145754	SWITCH BRACKET.	1	1
22	1911106	SCREW, SWITCH BRACKET #8-32 X 3/8"	2	2

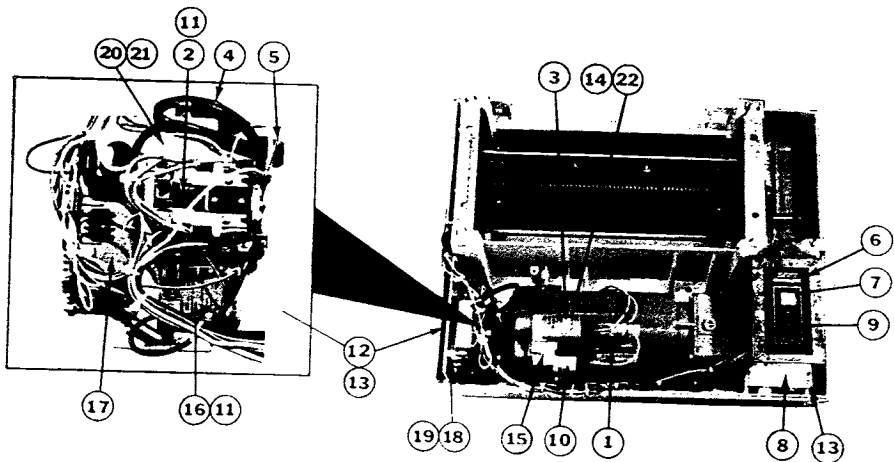


Figure 8.2

INDEX NO.	PART NO.	PART NAME	QUANTITY	
			1256S	1656S
1	1146831	MOTOR	1	1
2	1146857	CONTACTOR	1	1
3	1146902	CAPACITOR, 150MF.	1	1
4	1146906	POWER CORD.	1	1
5	1952408	STRAIN RELIEF	1	1
6	1146758	CONTROL LABEL	1	1
6	1146762	CONTROL LABEL	1	
7	1146830	ROCKER SWITCH, ON		1
8	1146853	SWITCH BRACKET.	1	1
9	1146829	ROCKER SWITCH, OFF.	1	1
10	1146903	CAPACITOR, 10MF	1	1
11	1907806	SCREW, RELAY MOUNTING #8-32 X 3/4".	1	1
12	1146862	POWER BRACKET	4	4
13	1911105	SCREW #8-32 X 1/4".	1	1
14	1146854	CAPACITOR CLIP.	5	5
15	1146858	CAPACITOR BRACKET	2	2
16	1146856	SOLID STATE RELAY	1	1
17	1146894	P. C. BOARD	1	1
18	1146855	P. C. BOARD SUPPORT	1	1
19	1907901	SCREW, P. C. BOARD #6-32 X 5/16".	4	4
20	1140021	FUSE HOLDER (NOT SHOWN)	4	4
21	1970101	FUSE, 15AMP SLO-BLO (NOT SHOWN)	1	1
22	1907821	SCREW #6-32 X 3/16".	1	1
			4	4