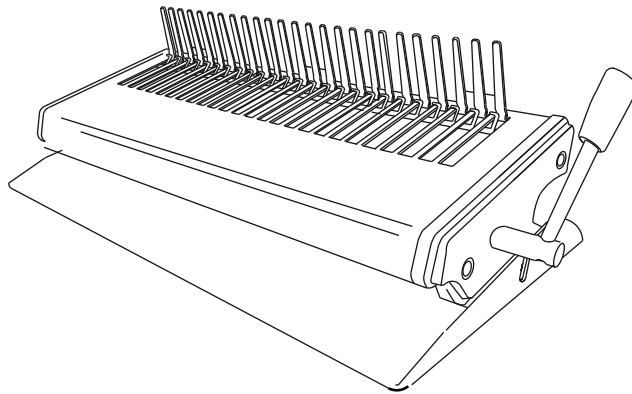
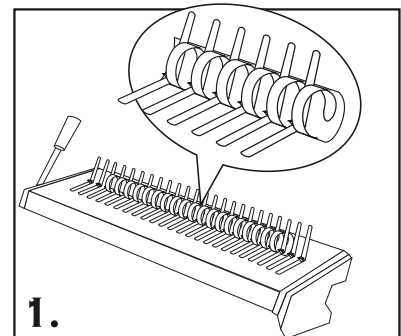


# COMB BINDING MODULE

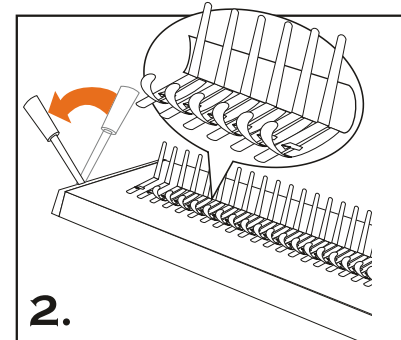
## AKILES CBM650 Comb Opener



1. Place pre-selected comb behind Comb Binding Fingers. The opening side of comb should be on top. **See Picture 1**

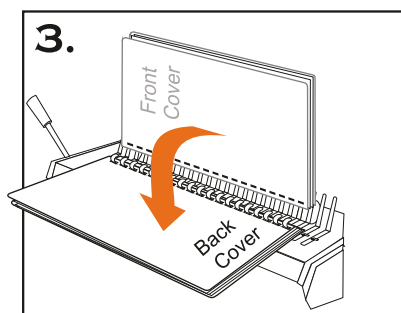


2. Slowly pull Comb Opener Handle down to open the comb, and stop when the comb is opened enough to allow sheets to be inserted. **See Picture 2**



**IMPORTANT:** Depending on the size of the comb used, it may not be necessary to pull the Comb Opener Handle all the way down.

3. Jog the sheets and covers so all the holes are well aligned. Holding the document tightly with the front cover facing you, insert it into the open comb. **See Picture 3**



4. When all pages have been inserted into the open comb, slowly return the Comb Opener Handle to close the comb. Lift the entire book upwards to take it out of Comb Binding Fingers. The comb binding is now complete. **See Picture 4**

